



LOWBAY & Highbay Lighting

# KILLARK





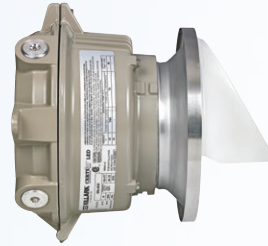
### COMPACT SIZE – INTRODUCTION & LOGIC



Luminaire w/Glass Refractor and Guard



Luminaire w/Flat Lens



Wall Mount w/VZRF8PR Pathway Reflector

Class I, Div. 2, Groups A,B,C,D  
 Class I, Zone 2, Groups IIC,IIB,IIA  
 Class II, Div. 1 & 2, Groups E,F,G  
 Class III  
 Suitable for wet locations  
 Marine Rated (US only)  
 Type 3, 4X

Certified - File LR11713

## CERTITE® LED

### FEATURES-SPECIFICATIONS Compliances

- UL-8750 for LED lighting; UL 1598A
- UL Marine type lighting fixtures
- UL-844 Standard for lighting fixtures for hazardous locations, Class I, Division 2; Class II, Divisions 1 and 2; Class III
- CSA C22.2 no. 137-M1981 electric luminaires for use in hazardous locations
- Enclosed and gasketed
- Type 3, 4X

### Materials

- Housing, splice box and guards (MBAG, VMAG) corrosion resistant copper-free aluminum alloy
- Baked powder epoxy/polyester finish, electrostatically applied for complete, uniform corrosion protection
- All external hardware - stainless steel
- Reflectors - Polyester reinforced fiberglass

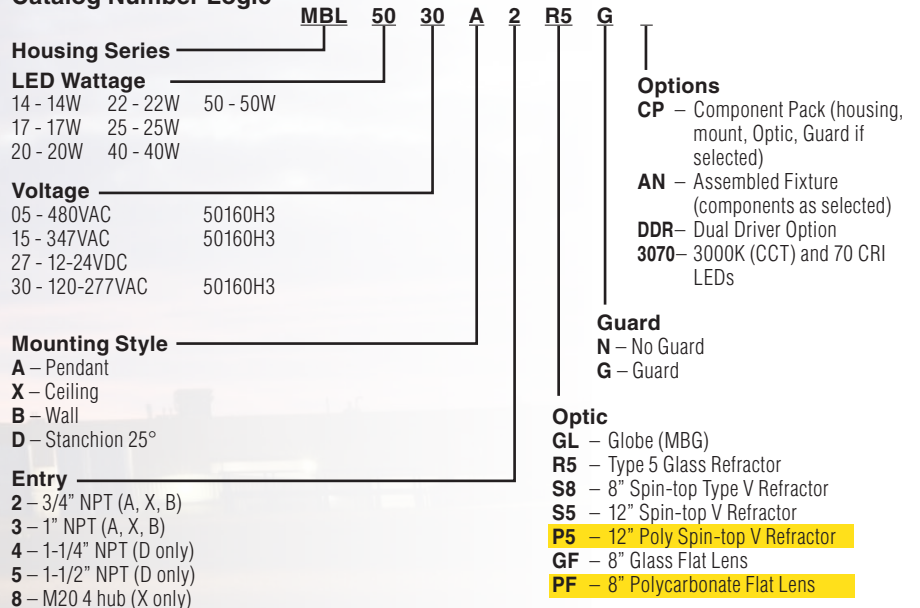
### LED Luminaire Features and Standards

Supplemental **20KA/10KV Surge Protection** is **standard** (for 120-277 VAC models)  
**10KA/10KV Surge Protection** (for 347-480 VAC)

- Compact in Size with Traditional Industrial Appearance and Suitability
- Wide variety of optics including globes, globes with reflectors, all-glass refractors, and spin-top refractors
- Optional Mounting arrangements including Pendant, Wall, Ceiling, and Stanchion
- MBL LED Housings can be retrofitted to existing MB splice boxes; upgrade from Fluorescent or HID
- Warm LED color option available with 3070 option

- Energy Savings – Less than 50 Watts of Power
- LED Array Life – 100,000+ hours with 70% initial lumens
- Long Fixture Life – 50,000 - 55,000 maintenance free hours
- Crisp White Light for Excellent Color Rendering - Chromaticity 5000°K (CCT); 70 CRI
- Ambient suitability -40°C to 40°C (to 55°C for 14W to 22W)
- Instant on – Including after power interruption
- “World Voltage” 120-277VAC 50/60Hz
- Solder-LESS LED Board Connections – Vibration Resistant

### Catalog Number Logic

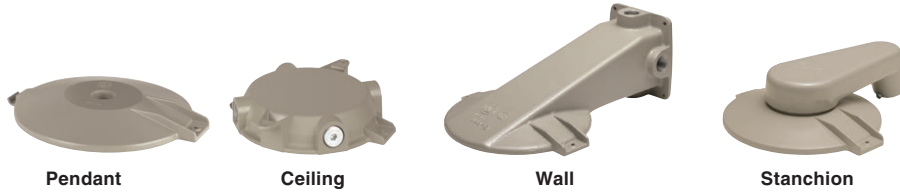




## MBL SERIES

# KILLARK

### COMPACT SIZE – COMPONENTS



MB MOUNTING BRACKETS				
CATALOG NUMBER				HUB SIZE
PENDANT	CEILING	WALL	STANCHION	
MBA-2	MBX-2	MBB-2	—	3/4"
MBA-3	MBX-3	MBB-3	—	1"
—	MBX-8	—	—	M20
—	—	—	MBD-4	1-1/4"
—	—	—	MBD-5	1-1/2"



### Non-Glass Polycarbonate 8" Flat Lens or Spin-top



Patented Design

MBL LED OPTICS AND ACCESSORIES		
DESCRIPTION	OPTIC LOGIC	GUARD
Globe (glass)	MBG (GL)	MBAG
Reflector (all glass) Type V	VMR175 (R5)	VMAG17
Reflector (spin top) 8" Type V	VZRG1550 (S8)	VMRWG8
Reflector (spin top) 12" Type V	VZRG2550 (S5)	VMRWGS
8" Spin-top flat lens (glass) 14-24W	VZRGF8 (GF)	VZRF8GRD
8" Spin-top flat lens (polycarbonate) 14-24W	VZRPF8 (PF)	VZRF8GRD
Reflector polycarbonate (spin -top) 12" Type V	VZRP175 (P5)	VMRWGS
Pathway Reflector 14-24W	VZRF8PR	NA
Reflector for MBG Globe - DOME	VMPSD-17	NA
Reflector for MBG Globe - ANGLE	VMPA-17	NA
120VAC Photocell with FS Style Cover	VMFSPC1	NA
208-277VAC Photocell with FS Style Cover	VMFSPC2	NA
3-sided EXIT Accessory (use without guard)	VEXA100B	NA



### COMPACT SIZE – RATINGS, SPECIAL AIMING ANGLES

ORDERING INFORMATION AND AMBIENT SUITABILITY					C1D2 OPTIC ONLY		ABCD W/ REFLECTOR		C2D1 OPTIC ONLY		EFG W/ REFLECTOR	
CATALOG NO.	WEIGHT LBS./KG	WATTS	VOLTAGE	AMPS	40°C	55°C	40°C	55°C	40°C	55°C	40°C	55°C
MBL1427	10.00 / 4.54	14	12-24VDC	1.17-0.58	T5	T4A	T4	T3B	T4A	T4A	T4A	T4A
MBL1430			120-277VAC	0.12-0.05								
MBL1434			120-250VDC	0.12-0.04								
MBL1727		17	12-24VDC	1.42-0.71	T5	T5	T5	T5	T4	T4	T4	T4
MBL1730			120-277VAC	0.14-0.06								
MBL1734			120-250VDC	0.14-0.06								
MBL2027		20	12-24VDC	1.67-0.83	T5	T5	T5	T5	T4	T4	T4	T4
MBL2030			120-277VAC	0.17-0.07								
MBL2034			120-250VDC	0.17-0.06								
MBL2227		22	12-24VDC	1.83-0.92	T4A	T4	T4A	T4	T4	T4	T4	T4
MBL2230			120-277VAC	0.18-0.08								
MBL2234			120-250VDC	0.18-0.07								
MBL2527		25	12-24VDC	2.08-1.04	T5	T5	T5	T5	T4	T4	T4	T4
MBL2530			120-277VAC	0.21-0.09								
MBL2534			120-250VDC	0.21-0.08								
MBL4027		15.5 / 7.03	40	12-24VDC	3.33-1.67	T5	-	T5	-	T4	-	T4
MBL4030	120-277VAC			0.33-0.14								
MBL5027	50		12-24VDC	4.17-2.08	T5	-	T5	-	T4	-	T4	-
MBL5030			120-277VAC	0.42-0.18								

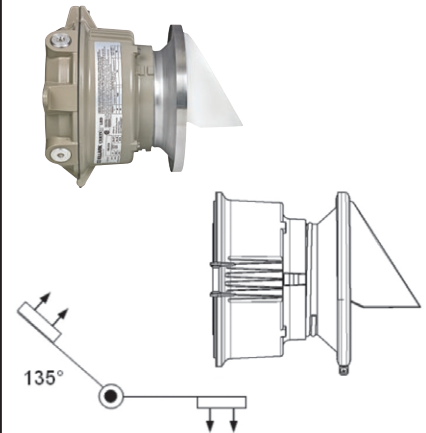
#### TYPICAL WEIGHTS (LBS.) W/STANDARD GLOBE AND GUARD - MBL SERIES

WATTAGE	Configuration	Weight (LBS.)
14-25W	Pendant	14.96
	Ceiling	15.96
40-50W	Pendant	20.96
	Ceiling	21.69

#### DELIVERED LUMENS

WATTS	MBL + MBG	MBL + VMR	MBL + VZRXF8
14	910	800	980
20	1785	1570	2009
22	1365	1201	1427
25	2485	2236	3186
40	3625	3821	-
50	5824	6139	-

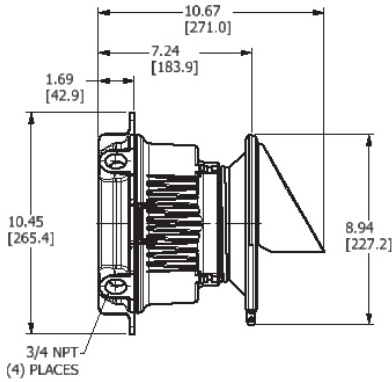
#### Special Aiming Angles Wall Mount MBL with Pathway Reflector



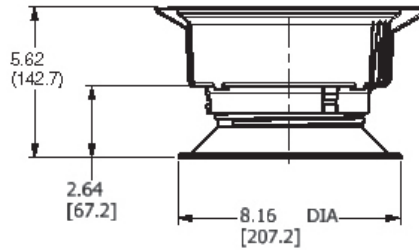
14W-25W MBL Housings with 8" Flat Spin-Top Lens may be aimed from 135° to 0° with or without the VZR8PF Pathway Reflector. Pathway Reflector must NOT be aimed upwards in a Class II (Dust) environment, or where any contaminant may be collected. Applications include tunnels, lighting dark spots around ceiling piping or pathways near handrails.



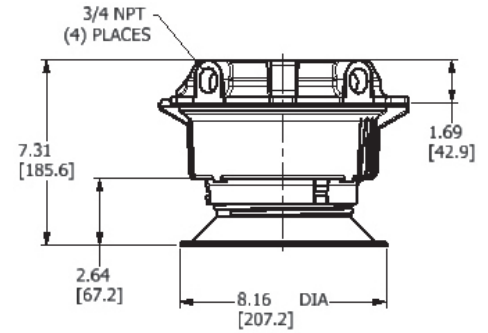
## COMPACT SIZE – DIMENSIONS & WEIGHTS



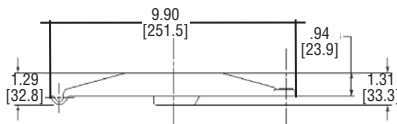
**MBL Flat Lens, Pathway Reflector Wall Mount**



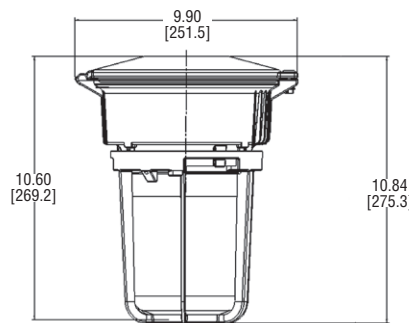
**MBL Tank with Flat Lens**



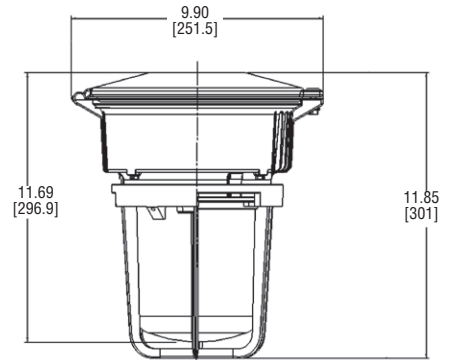
**MBL Flat Lens Ceiling Mount**



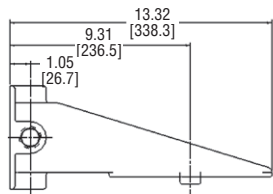
**MBA Pendant**



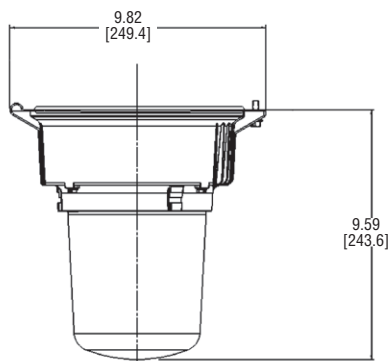
**MBL Pendant, Globe, Guard**



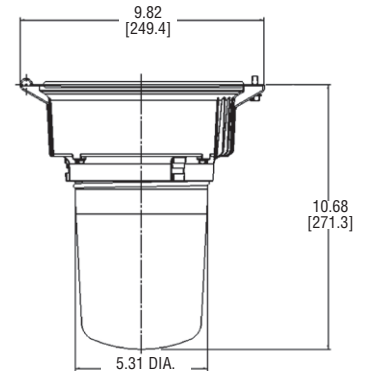
**MBL Pendant, Refractor, Guard**



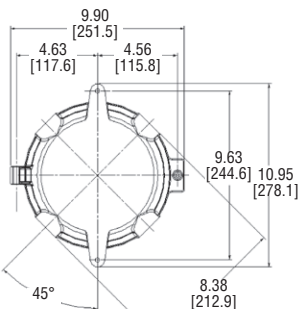
**MBB Wall Mount**



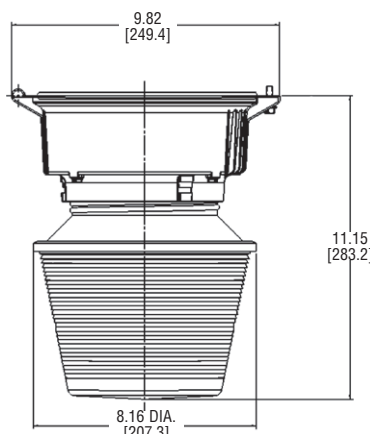
**MBL & MBG Globe Only**



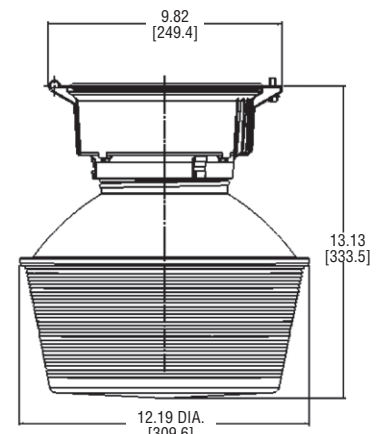
**MBL & VMR Refractor**



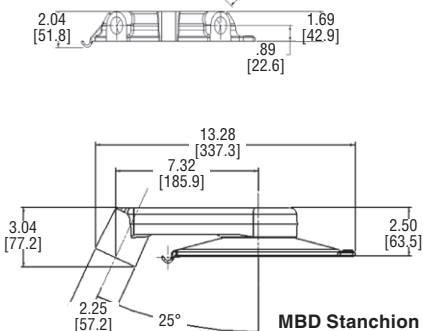
**MBX Ceiling**



**MBL & 8" Type V Spin-top**



**MBL & 12" Type V Spin-top**



**MBD Stanchion**



### REDUCED PROFILE – INTRODUCTION



Class I, Div. 2, Groups A,B,C,D  
 Class I, Zone 2, Groups IIC,IIB,IIA  
 Class II, Div. 1 & 2, Groups E,F,G  
 Class III  
 Suitable for wet locations  
 Marine Rated (US only)  
 Type 3, 4X

Certified - File LR11713

## CERTiTE<sup>V</sup> LED

### FEATURES-SPECIFICATIONS

#### Compliances

- UL-8750 for LED lighting
- UL-844 Standard for lighting fixtures for hazardous locations, Class I, Division 2; Class II, Divisions 1 and 2; Class III
- CSA C22.2 no. 137-M1981 electric luminaires for use in hazardous locations
- Enclosed and gasketed
- Type 3, 4X

#### Materials

- Housing, splice box and cast guards corrosion resistant copper-free aluminum alloy
- Baked powder epoxy/polyester finish, electrostatically applied for complete, uniform corrosion protection
- All external hardware - stainless steel
- Reflectors - Polyester reinforced fiberglass

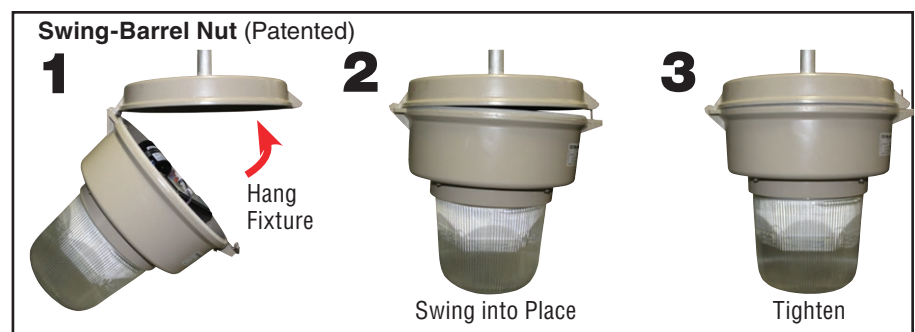
### LED Luminaire Features and Standards

Supplemental **20KA/10KV Surge Protection** is **standard** (for 120-277 VAC models)  
**10KA/10KV Surge Protection** (for 347-480 VAC)

- Reduced profile with Traditional Industrial Appearance and Suitability
- Wide variety of optics including globes, globes with reflectors, all-glass refractors, and spin-top refractors
- Swing-Barrel Nut patented tank mounting system
- Optional Mounting arrangements including Pendant, Wall, Ceiling, Stanchion and others
- VM1L LED Housings can be retrofitted to existing VM splice boxes; upgrade from HID sources
- Energy Savings – less than 55 Watts of Power
- LED Array Life – 100,000+ hours with 70% initial lumens
- Long Fixture Life – 50,000 - 55,000 maintenance free hours
- Crisp White Light for Excellent Color Rendering – Chromaticity 5000°K (CCT); 70 CRI
- Ambient suitability -40°C to 55°C
- Instant on – including after power interruption
- “World Voltage” 120-277VAC 50/60Hz
- Solder-LESS LED Board Connections – Vibration Resistant
- Dual Driver Option (DDR) – For additional energy savings, half of the fixture can be turned off
- Warm LED color option available with 3070 option



Polycarbonate 12”  
Spin-top  
Refractor VZRG2550



**Photo controls – Class I Div. 2 / N4X areas**  
 Available as Field or Factory Installed to save energy when light not required.

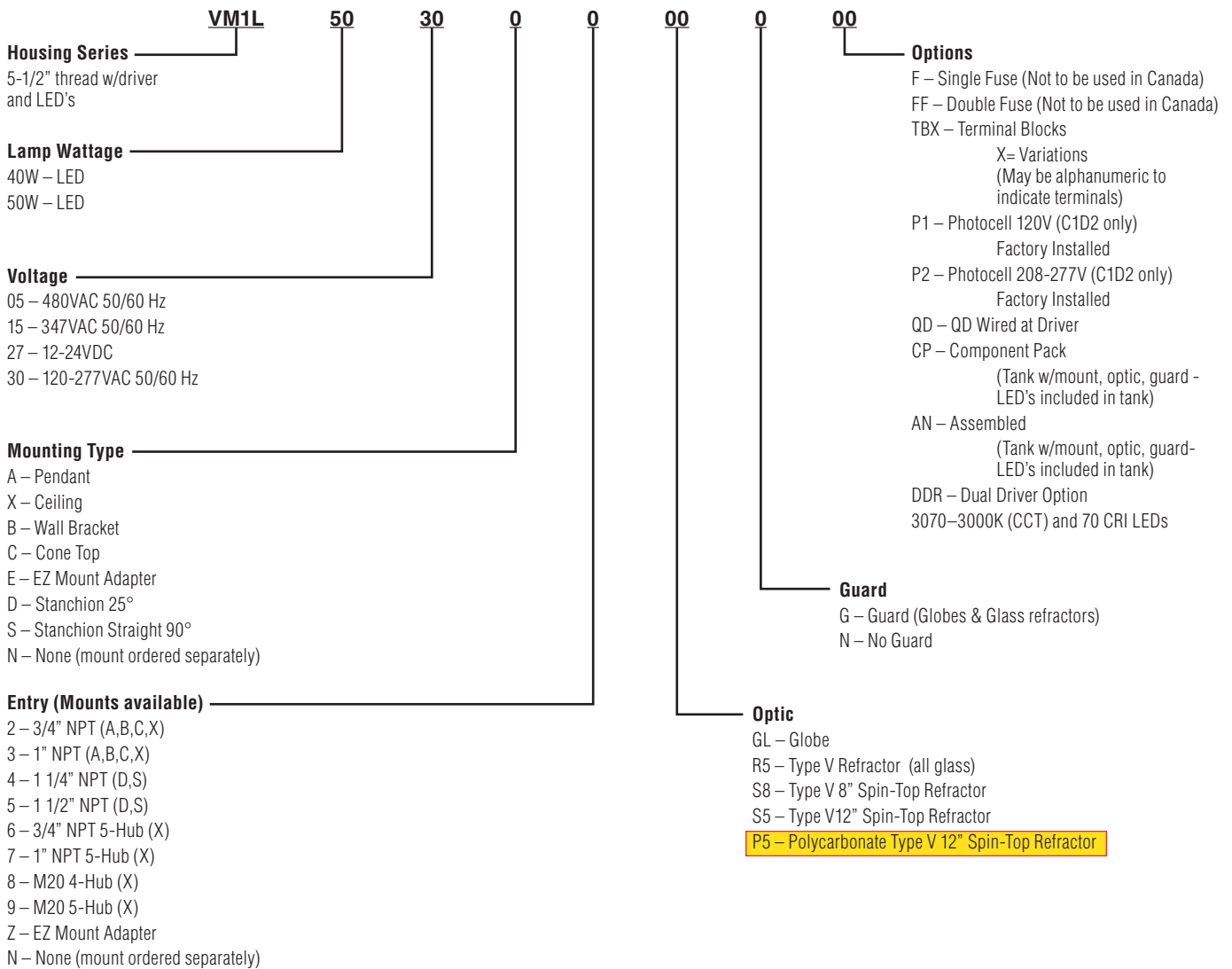


**Earthquake Tab –**  
 Built-in attachment point for safety cables.  
**Safety: Secures fixture to structure in case of conduit failure.**



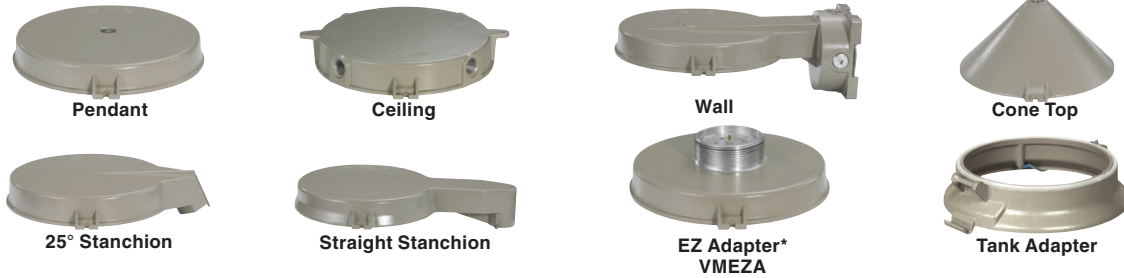
## CERTILITE<sup>®</sup>V LED

### CertiLite<sup>®</sup>V LED Catalog Number Logic





### REDUCED PROFILE – COMPONENTS



CERTILITE® V VM MOUNTING SPLICE BOXES							
HUB SIZE	CATALOG NUMBER						
	PENDANT	CEILING 4 HUB	CEILING 5 HUB	WALL	CONE TOP	25 DEGREE STANCHION	90 DEGREE STANCHION
3/4"	VMA2B	VMX2B	VMX6B	VMB2B	VMC2B	—	—
1"	VMA3B	VMX3B	VMX7B	VMB3B	VMC3B	—	—
1-1/4"	—	—	—	—	—	VMD4B	VMS4B
1-1/2"	—	—	—	—	—	VMD5B	VMS5B
M-20	—	VMX8B**	VMX9B**	VMB8B**	—	—	—

\* VMEZA is used between a driver tank and an EZ mount-ordered separately.

\*\* Furnished with non-metallic plugs. Also available: VMB10B wall 4xM25 hubs, and VMB810B 2xM20 side hubs and 2xM25 top/bottom

VM1L LED OPTICS AND ACCESSORIES		
DESCRIPTION	OPTIC LOGIC	GUARD
Globe (glass)	VMG17 (GL)	VMAG17
Refractor (all glass) Type V	VMR175 (R5)	VMAG17
Refractor (spin top) 8" Type V	VZRG1550 (S8)	VMRWG8
Refractor (spin top) 12" Type V	VZRG2550 (S5)	VMRWGS
Refractor polycarbonate (spin-top) 12" Type V	VZRP175 (P5)	VMRWGS
DOME REFLECTOR (Polyester reinforced fiberglass)	VMPSD40	NA
ANGLE REFLECTOR (Polyester reinforced fiberglass)	VMPA40	NA
120VAC Photocell with FS Style Cover	VMFSPC1	NA
208-277VAC Photocell with FS Style Cover	VMFSPC2	NA
3-sided EXIT Accessory (use without guard)	VEXA100B	NA
Tank adapter to Crouse-Hinds® VM Series mounts*	VMCHVM	NA

OPTICS



VMG17



VMR175



VZRG1550



VZRG2550

ACCESSORIES



VMAG17



VMRWG8  
VMRWGS



VMPSD40



VMPA40



VMFSPC1



VEXA100B

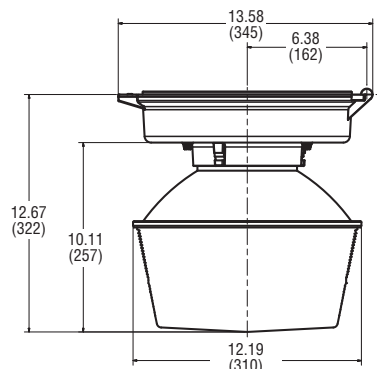
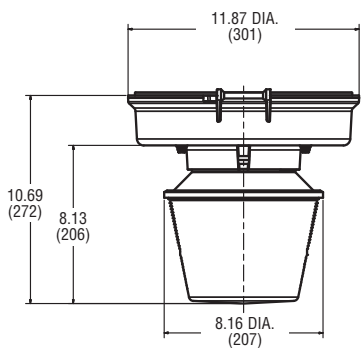
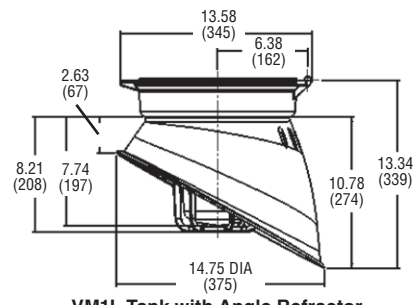
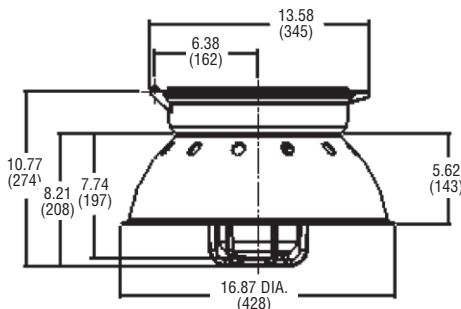
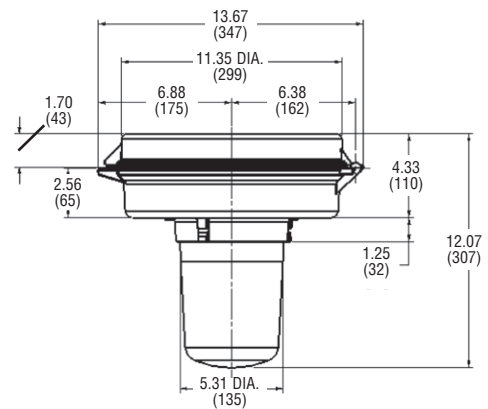
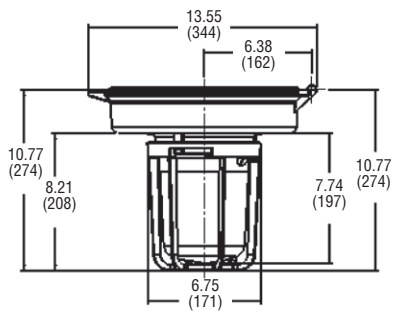
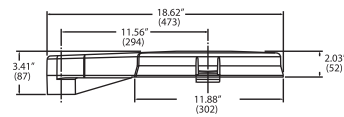
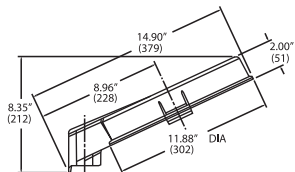
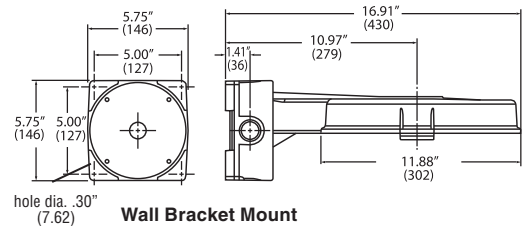
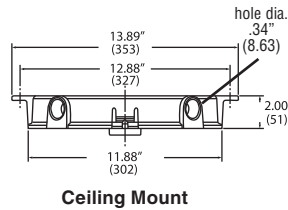
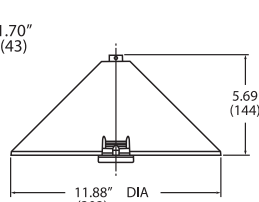
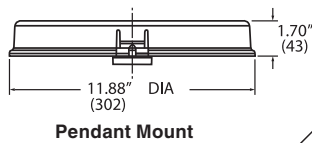
ORDERING INFORMATION AND AMBIENT SUITABILITY						C1D2		C2D1		
CATALOG NO.	WEIGHT LBS./KG	WATTS	VOLTAGE	AMPS	VMG15 LUMENS	VMR175 LUMENS	40°C	55°C	40°C	55°C
VM1L4005	15.50 / 7.03	40	480 VAC	0.09	5267	5060	T5	T4A	T4	
VM1L4015			347 VAC	0.13						
VM1L4027			12-24VDC	3.33-1.67						
VM1L4030			120-277VAC	0.36-0.16						
VM1L5005	50	50	480 VAC	0.10	6162	6427	T5	T4A	T4	
VM1L5015			347 VAC	0.14						
VM1L5027			12-24VDC	4.17-2.08						
VM1L5030			120-277VAC	0.43-0.18						

TYPICAL WEIGHTS (LBS.) W/ STANDARD GLOBE AND GUARD - VM1L SERIES			
Pendant	23.00	Ceiling	24.10
Wall	27.50	Stanchion	23.90



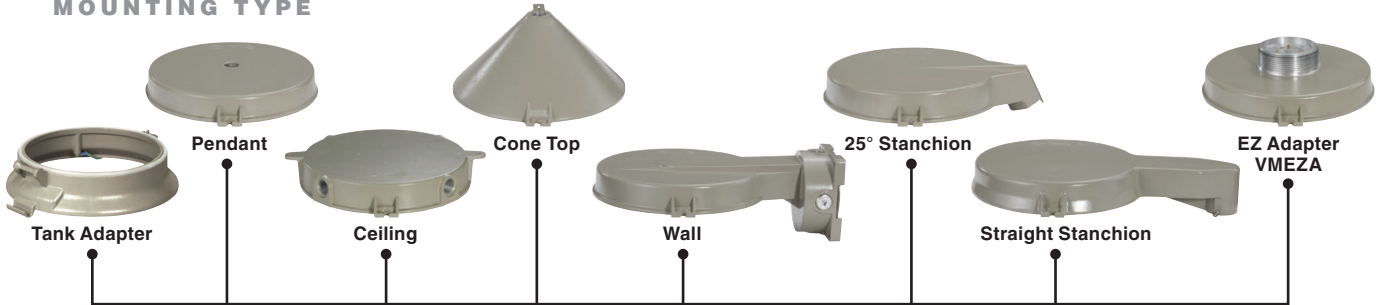


## REDUCED PROFILE – DIMENSIONS & WEIGHTS



### HOUSING FIXTURE ASSEMBLY GUIDE

#### MOUNTING TYPE



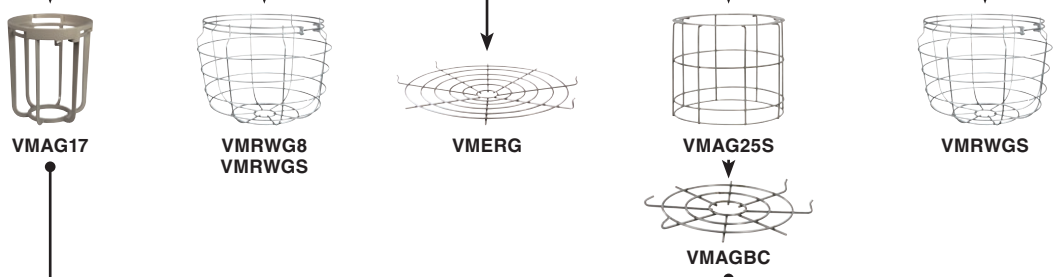
#### TANK



#### OPTIC



#### GUARD



#### REFLECTOR





## VM2&4LB, VM2&4LC SERIES

# KILLARK

### HIGH WATTAGE – INTRODUCTION



VM2LB with Globe/  
Guard



VM4LB with Globe/  
Guard



VM4LC with Flat Lens



Class I, Div. 2, Groups A,B,C,D  
Class I, Zone 2, Groups IIC, IIB, IIA  
Class II, Div. 1 & 2, Groups E,F,G  
Class III

Suitable for wet locations  
Type 3, 4X  
IP66

Marine Rated (US only)

CSA Certified - File LR11713

IECEX Rated Models (VM4L with IEx suffix)

Ex nA IIC T4, Gc / Ex tb IIC T83°C Db  
Tamp -40°C ≤Ta≤+65°C, IP66

IECEX Certificate  
QPS 15.0006

INMETRO Certificate  
IEx 16.0137

ATEX Certificate  
CML 15ATEX4101X(nA)  
&  
CML 15ATEX3102X(tb)

Contact Factory for other certification details



Consult website  
for current list of  
approved luminaires

- Ambient suitability -40°C to 65°C (see tables). -20°C to 50°C Ambient suitability for Emergency models.
- Warm LED color option available with 3070
- Instant On – Including after power interruption
- World Voltage 120 – 277VAC 50/60Hz
- Solder-LESS LED Board Connections – Vibration Resistant
- Dual Driver Option (DDR) – For additional energy savings, half of the fixture can be turned off.
- Two LED internal heat sink styles
  - » Bulb VM2LB/VM4LB
  - » Concave VM2LC/VM4LC

## CERTiTE V LED

### FEATURES-SPECIFICATIONS

#### Compliances

- UL-8750 for LED lighting
- UL-844 Standard for lighting fixtures for hazardous locations, Class I, Division 2; Class II, Divisions 1 and 2; Class III
- CSA C22.2 no. 137-M1981 electric luminaires for use in hazardous locations
- Enclosed and gasketed
- Type 3, 4X
- IP66 & Marine
- Self-testing per NFPA 101® Life Safety Code

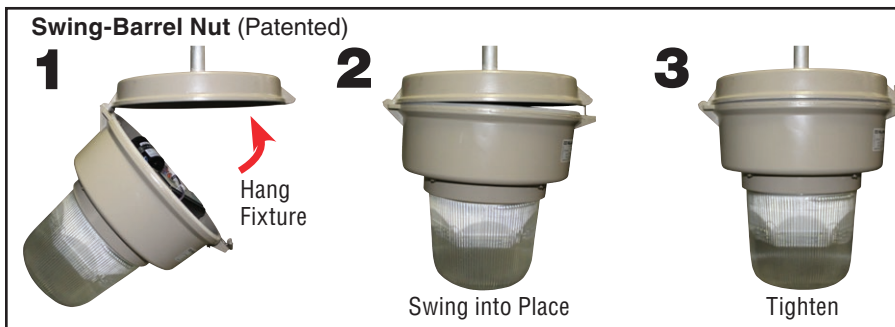
#### Materials

- Housing, splice box and cast guards corrosion resistant copper-free aluminum alloy
- Baked powder epoxy/polyester finish, electrostatically applied for complete, uniform corrosion protection
- All external hardware – stainless steel
- Reflectors – Polyester reinforced fiber glass or aluminum

#### LED Luminaire Features and Standards

Supplemental **20KA/10KV Surge Protection** is **standard** (for 120-277 VAC models)  
**10KA/10KV Surge Protection** (for 347-480 VAC)

- Traditional Industrial Appearance, Suitability, and Photometric Performance
- Wide variety of optics including globes, globes with reflectors, all-glass refractors, spin-top refractors and flat lens
- Swing-Barrel Nut patented tank mounting system
- Optional Mounting arrangements including Pendant, Wall, Ceiling, Stanchion and others
- VM4L LED Housings can be retrofitted to existing VM splice boxes; upgrade from HID sources
- **VM2Lx housing is 1.56" shallower for low ceilings**
- Chromaticity outputs:  
Standard – 5000K 70 CRI  
3070 option – 3000K 70 CRI
- TURTLE option provides Amber LEDs that have no blue wavelength light (Not available with 14 & 18 lumen outputs)
- AMBER option provides phosphor converted LEDs. (Not available with 14 & 18 lumen outputs).
- LED Array Life – 100,000+ hours with 70% initial lumens
- Long Fixture Life – 50,000 - 55,000 maintenance free hours





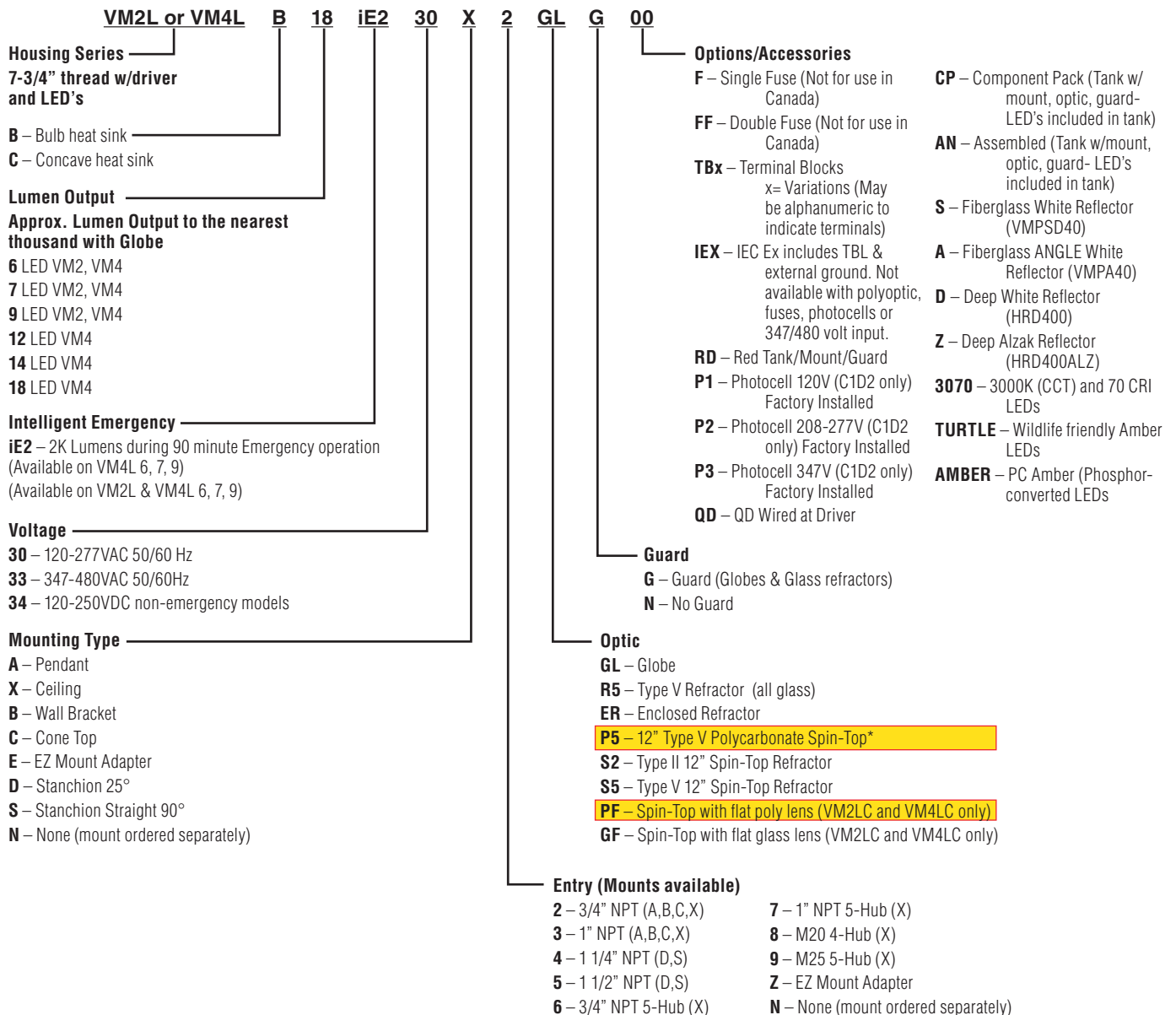
### HIGH WATTAGE – CATALOG LOGIC

# CERTILITE<sup>®</sup>V LED

**Killark high efficiency LED Luminaries require NO external heat sink which adds weight and collects dust and other contaminants**



## CertiLite<sup>®</sup>V LED Catalog Number Logic



\*Non-glass Group G Food Processing Suitability



## VM2&4LB, VM2&4LC SERIES

# KILLARK

### HIGH WATTAGE – OPTICS AND ACCESSORIES

DELIVERED LUMENS								
CATALOG NUMBER	VMG25	VMR255	VMER40	VZRP175B	VZRG4020	VZRG4050	VZRPF12	VZRGF12
	GL	R5	ER	P5	S2	S5	PF	GF
VM4LB6(XX)(YY)N	6278	5915	4575	4692	4771	4879		
VM4LC6(XX)(YY)N	6223	5127	4645	4880	4989	4914	5570	5644
VM4LB7(XX)(YY)N	7437	6996	5589	5846	5968	5973		
VM4LC7(XX)(YY)N	7344	6026	5491	5757	5892	5830	6563	6679
VM4LB9(XX)(YY)N	9692	9084	7465	7928	8090	8078		
VM4LC9(XX)(YY)N	9453	7746	6973	7420	7671	7482	8492	8647
VM4LB12(XX)(YY)N	12750	12020	9804	10410	10550	9168		
VM4LC12(XX)(YY)N	12300	10380	9470	9969	10190	10030	11370	11570
VM4LB14(XX)(YY)N	14760	13810	11240	11890	12110	12010		
VM4LC14(XX)(YY)N	14120	11980	10910	11460	11810	11520	13080	13300
VM4LB18(XX)(YY)N	17710	16700	14080	14910	15050	15140		
VM4LC18(XX)(YY)N	17820	14530	13380	13970	14390	14190	15940	16270

(XX) = VOLTAGE  
(YY) = MOUNT



VMG25



VMR255



VMER40



VZRP175B



VZRG4020



VZRG4050



VZRPF/VZRGF

TYPICAL WEIGHTS (LBS./KG) W/STANDARD GLOBE AND GUARD - VM4LB/C SERIES			
Pendant 33.4/15.2	Ceiling 33.0/15.0	Wall 37.9/17.2	Stanchion 34.3/15.6

ORDERING INFORMATION AND AMBIENT SUITABILITY					C1D2			C2D1		
CATALOG NO. ②	TYPICAL TANK ONLY WEIGHT LBS./KG	WATTS	VOLTAGE	AMPS ①	40°C	55°C	65°C	40°C	55°C	65°C
VM4L(Y)630	18.90 / 8.57	40	120-277 VAC	0.35-0.16	T4A	T4A	T4	EFG		
VM4L(Y)633		40	347-480VAC	0.12-0.09						
VM4L(Y)634		40	120-250VDC	0.33-0.16						
VM4L(Y)730		50	120-277 VAC	0.43-0.21	T4A	T4A	T4	EFG		
VM4L(Y)733		50	347-480VAC	0.15-0.12						
VM4L(Y)734		50	120-250VDC	0.42-0.20						
VM4L(Y)930		65	120-277 VAC	0.56-0.24	T4A	T4A	T4	EFG		
VM4L(Y)933		65	347-480VAC	0.19-0.14						
VM4L(Y)934		65	120-250VDC	0.54-0.26						
VM4L(Y)1230		90	120-277 VAC	0.77-0.33	T4A	T4	-	EFG	-	
VM4L(Y)1233		90	347-480VAC	0.27-0.19						
VM4L(Y)1234		90	120-250VDC	0.75-0.36						
VM4L(Y)1430		105	120-277 VAC	0.89-0.39	T4A	T4	-	EFG	-	
VM4L(Y)1433		105	347-480VAC	0.31-0.23						
VM4L(Y)14834		105	120-250VDC	0.88-0.42						
VM4L(Y)1830		130	120-277 VAC	1.10-0.46	T4A	T4	-	EFG	-	
VM4L(Y)1833		130	347-480 VAC	0.38-0.27						

ORDERING INFORMATION AND AMBIENT SUITABILITY					C1D2			C2D1		
CATALOG NO. ②	TYPICAL TANK ONLY WEIGHT LBS./KG	WATTS	VOLTAGE	AMPS ①	40°C	55°C	65°C	40°C	55°C	65°C
VM2L(Y)630	17.65 / 8.00	40	120-277 VAC	0.35-0.16	T4A	T4A	T4	EFG		
VM2L(Y)633		40	347-480VAC	0.12-0.09						
VM2L(Y)634		40	120-250VDC	0.33-0.16						
VM2L(Y)730		50	120-277 VAC	0.43-0.21	T4A	T4A	T4	EFG		
VM2L(Y)733		50	347-480VAC	0.15-0.12						
VM2L(Y)734		50	120-250VDC	0.42-0.20						
VM2L(Y)930		65	120-277 VAC	0.56-0.24	T4A	T4A	T4	EFG		
VM2L(Y)933		65	347-480VAC	0.19-0.14						
VM2L(Y)934		65	120-250VDC	0.54-0.26						

① For a given wattage current values are the same, regardless of tank type VM2LB/C or VM4LB/C.

② Replace (Y) with heat sink style B or C.



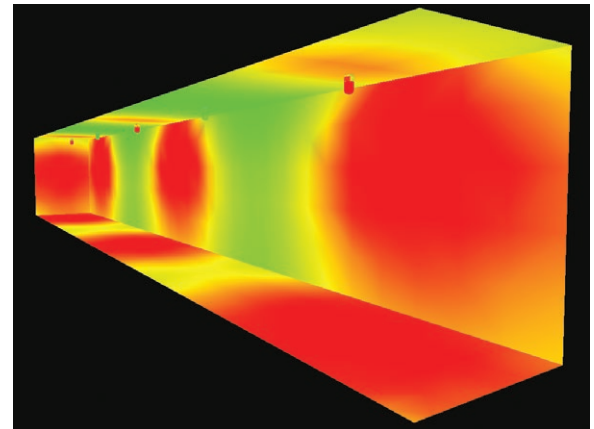
### HIGH WATTAGE SELF-TESTING EMERGENCY

#### Electronics Includes:

- Self-diagnostics monitors LED status, LED driver circuit, battery capacity and charger function and displays any fault detection by means of a flashing code
- Self-Test feature automatically runs a 1 minute test once a month and an alternating 30-60 minute test once every 6 months. LED indicator provides visible fault detection and charging status
- User initiated 1, or 90-minute system test feature
- 15 minute re-transfer delay
- Automatic unit transfer in brown-out conditions (below 80% of nominal AC input voltage)

TEST SWITCH INDICATOR STATUS	
LED INDICATORS STATUS	EM DRIVER STATUS/MODE
Solid Green	System OK/AC OK (Self-diagnostic Enabled or Disabled).
Slow Flashing Red, 4s on/1s off	Battery not detected, check battery switch or connection.
Flashing Red, 1s on/1s off	Battery Failure, replace battery.
Flashing Green, 1s on/1s off	Self Diagnostic test underway.
Fast Flashing Red, 0.1s on/0.1s off	Abnormal driver performance, replace driver.
Very Slow Flashing Red, 4s on/4s off	Over temperature.
None. Both LEDs OFF	Normal working in EM mode.
Green/Red alternative flashing, 1s green/1s red	No load or output over voltage protection triggered.

#### LED Emergency Lighting Design



### HIGH WATTAGE – COMPONENTS



CERTILITE® VM MOUNTING SPLICE BOXES							
HUB SIZE	CATALOG NUMBER						
	PENDANT	CEILING 4 HUB	CEILING 5 HUB	WALL	CONE TOP	25 DEGREE STANCHION	STRAIGHT STANCHION
3/4"	VMA2B	VMX2B	VMX6B	VMB2B	VMC2B	—	—
1"	VMA3B	VMX3B	VMX7B	VMB3B	VMC3B	—	—
1-1/4"	—	—	—	—	—	VMD4B	VMS4B
1-1/2"	—	—	—	—	—	VMD5B	VMS5B
M-20	—	VMX8B	VMX9B	VMB8B	—	—	—
M-25	—	—	—	VMB10B	—	—	—



## VM2&4LB, VM2&4LC SERIES

# KILLARK

### HIGH WATTAGE – COMPONENTS & RATINGS



**“EZ” Mount Adapter**  
For easy fixture relocation  
or to repair fixture on  
'bench top'.



VMEZA adapter is used  
between a driver tank and  
EZ mount ordered  
separately.



Pendant



Ceiling



Wall Bracket



25° Stanchion

MOUNTING BOXES				
CATALOG NUMBER				HUB SIZE
PENDANT	CEILING	BRACKET	STANCHION	
EZA2	EZX2	EZB3	—	3/4"
EZA3	EZX3	EZB3	—	1"
—	—	—	EZD4A	1-1/4" / 1/2"*

\*1-1/2" furnished with 1-1/2"-1-1/4" reducer and extension.

#### Competitive Adapters

Designed to ease upgrading of other manufacturer's fixtures to KILLARK LEDs where removal of existing mounting screws and conduit would be difficult and time consuming.

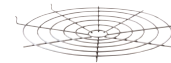
VM2L/VM4L LED OPTICS AND ACCESSORIES		
DESCRIPTION	OPTIC LOGIC	GUARD
Flat Lens (glass spin top) "C" tank only	VZRGF12 (GF)	VZRF12GRD
Flat Lens (polycarbonate spin top) "C" tank only	VZRPF12 (PF)	VZRF12GRD
Globe (glass)	VMG25 (GL)	VMAG25S
Reflector (all glass) Type V	VMR255 (R5)	VMAG25S
Enclosed Reflector	VMER40 (ER)	VMERG
Reflector (polycarbonate spin top) 12" Type V	VZRP175B (P5)	VMRWGS
Reflector (glass spin top) 12" Type V	VZRG4050 (S5)	VMRWGS



VMAG25S



VMRWGS



VMERG



VMAGBC



VMPSD40  
Standard Dome, Fiberglass  
White Reflector, Dia: 16"



VMPA40  
30° Angle, Fiberglass  
White Reflector, Dia:16"



HRD400  
Deep Aluminum, White  
Reflector, Dia: 21"



HRD400ALZ  
Deep Aluminum, Anodized  
Reflector, Dia: 21"

VM2L/VM4L LED REFLECTORS AND ACCESSORIES	
DOME REFLECTOR (Polyester reinforced fiberglass)	VMPSD40
ANGLE REFLECTOR (Polyester reinforced fiberglass)	VMPA40
DEEP DOME REFLECTOR (White Painted Aluminum)	HRD400
DEEP DOME REFLECTOR (Anodized Aluminum)	HRD400ALZ
120VAC Photocell with FS Style Cover	VMFSPC1
208-277VAC Photocell with FS Style Cover	VMFSPC2
Bottom Closure for VMAG25S	VMAGBC
4-sided EXIT Accessory (use without guard)	VEXA400



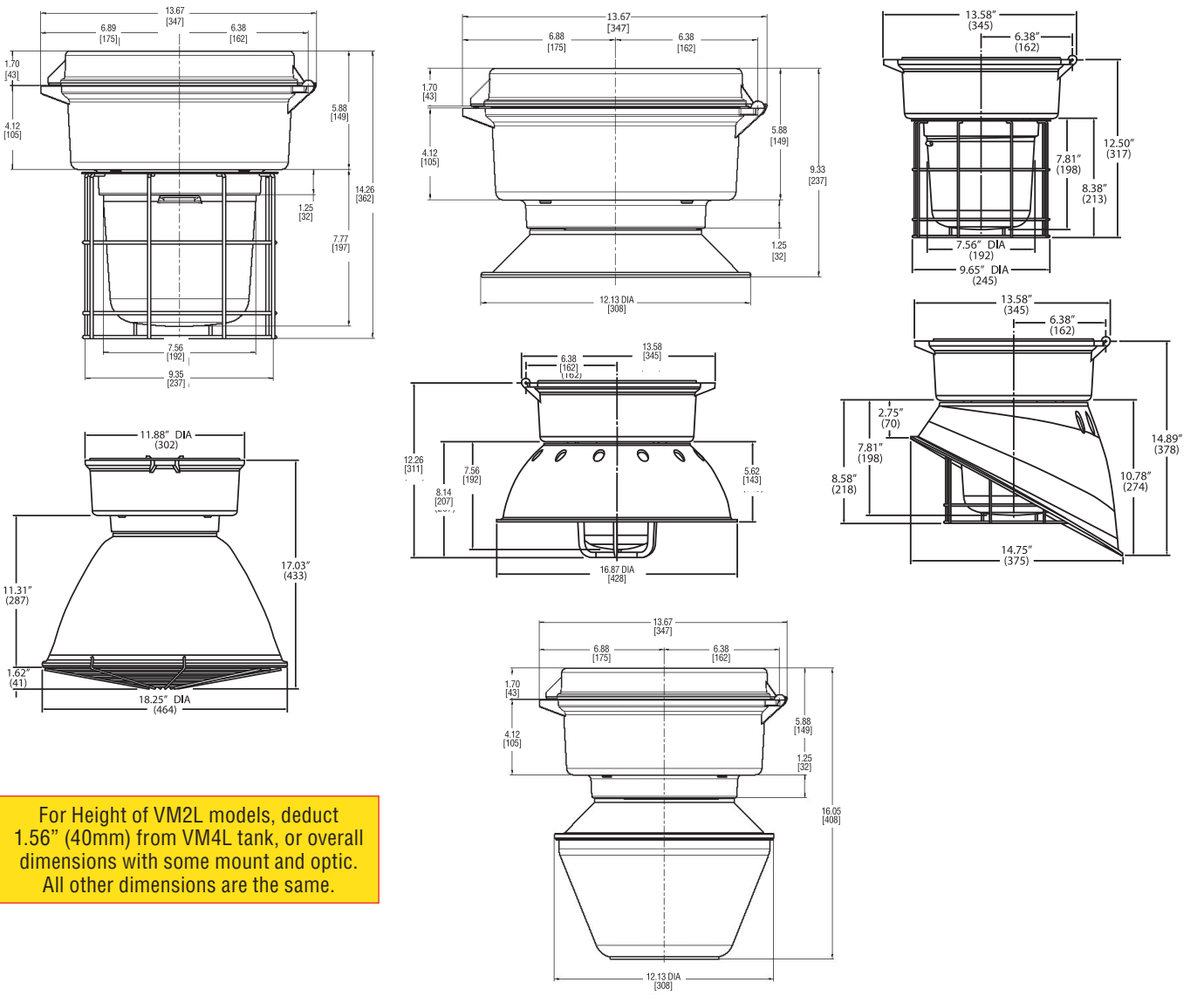
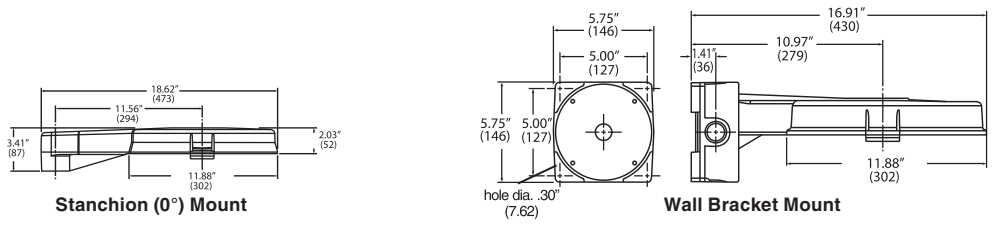
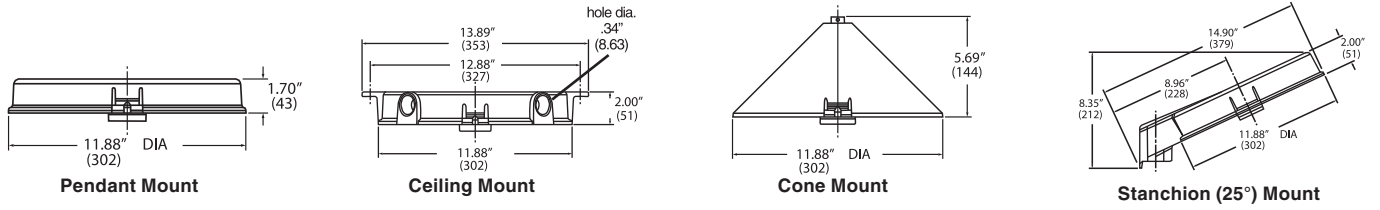
VEXA400  
Fixture not included



VMFSPC



### HIGH WATTAGE – DIMENSIONS & WEIGHTS



For Height of VM2L models, deduct 1.56" (40mm) from VM4L tank, or overall dimensions with some mount and optic. All other dimensions are the same.





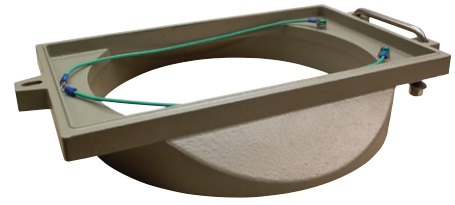
## FIXTURE ADAPTERS



VMCHVM-DEEP



VMCHVM



VMGEH2

## CERTIFIED LED

### FEATURES-SPECIFICATIONS

#### Applications

The Killark VM adapters are designed to ease upgrading of other manufacturer's fixtures to KILLARK LEDs where removal of existing mounting screws and conduit would be difficult and time consuming.

Adapters are used with the Killark Fixture Housing, Globe, guard (if applicable) and the competitive fixture splicebox. The Killark fixtures when used with the Killark adapters and appropriate competitive adapter.

#### Features

- Fixture and competitive mount are certified together
- Baked powder epoxy/polyester finish, electrostatically applied to match the Killark VM tank
- All external hardware – Stainless Steel

Class I, Div. 2, Groups A, B, C, D  
Class II, Div. 1, Groups E, F, G  
Class III  
Type 4X



VM SERIES COMPETATIVE ADAPTERS		
CATALOG NUMBER	DESCRIPTION	EXAMPLE OF MODEL UTILIZED OR REPLACED
VMCHVM	Tank adapter to Crouse-Hinds® VM Series mounts	VMV S2 C 050 R5
VMCHVM-DEEP	Tank adapter to CH (70's era wall mount with deep box)	VMV S2 TW 050 R5
VMM2LP	Tank adapter to Appleton® MERCMaster II mounts	LPCL 50 75 J
VMM3KP	Tank adapter to Appleton® MERCMaster III mounts	KPCL 50 75 J5 MT
VMHLDS	Tank adapter to Hazlux®3 mounts	DS015 H040-TGL-P2 E1 F
VMHPP2	Tank adapter mount to Holophane® Petrolux™	PETL 250HP 27 S25 CD
VMGEH2	Tank adapter H2 mount to GE® H2 Filtr-gard™	H2 4 05L 3C GG

