

WTN LIGHTING DIVISION

FL01 Series

12W 25W 45W



FL01 series Advantages

Die-cast Aluminum Housing
Available , black, or bronze finish



7HX7V NEMA distribution

Energy efficient LED 50,000 hour
operating life (L70) 5000K color
temp, >70 CRI

Robust 1/2 NPSM knuckle mount
with 180° adjustable swivel arm
and rugged,locking teeth.

FL01-12W

Power	12W
Luminous Flux	1200lm±10%
Efficacy	100lm/W±10%

FL01-25W

Power	25W
Luminous Flux	2750lm±10%
Efficacy	110lm/W±10%

FL01-45W

Power	45W
Luminous Flux	5500lm±10%
Efficacy	120lm/W±10%



Parameters

Model NO.:	FL01-12W	FL01-25W	FL01-45W
Power	12W	25W	45W
LED Type	High efficacy LEDs		
Color Temperature	4000K/4500K/5000K/5700K		
Beam Type	7H7V (F00101)		
Color Rendering Index	Ra > 70		
IP Rating	IP66		
Input Voltage	100-277VAC		
Power Factor	≥0.95		
Frequency	50 / 60 Hz		
Surge Protection	Line-Line 1KV Line-FG 2KV		
Certified	ETL cETL DLC		
Housing	Die-cast Aluminum		
LENS	Polycarbonate Optical lens		
Finish	Bronze / Black (Optional)		
Operating Temperature	-4°F to 104°F (-20°C to + 40°C)		
Life Time	>50,000Hrs (Ta=30°C@L70)		
Warranty	5 Years		
Mounting Options	1/2`Knuckle Mount / U Bracket		

Mounting Options



1/2`Knuckle Mount



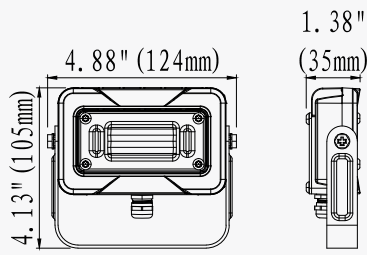
U Bracket

- General purpose floodlight
- Integrated visor for reduced glare
- Replaces up to 250W MH
- Suitable for ground mounting

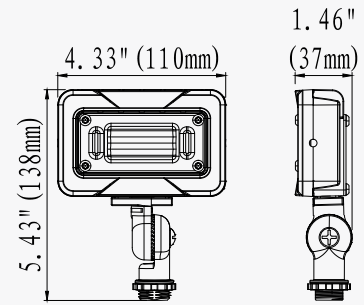
- Available in 5 lumen packages:
- Robust 1/2 NPSM knuckle mount
- IP65 rating protects against dust and water
- 50,000-Hour LED lifespan

Size

Model NO.
FL01-12W
Efficacy
100lm/W \pm 10%

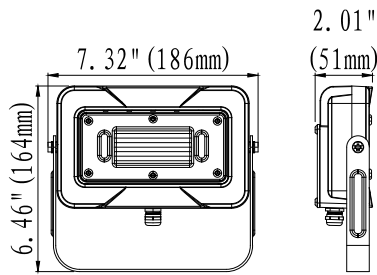


U Bracket

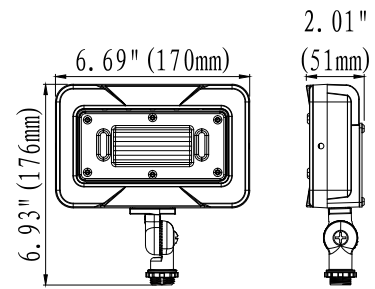


1/2`Knuckle Mount

Model NO.
FL01-25W
Efficacy
110lm/W \pm 10%

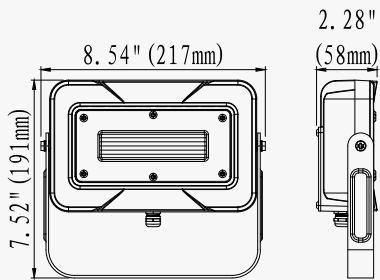


U Bracket

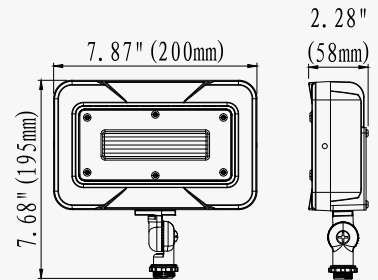


1/2`Knuckle Mount

Model NO.
FL01-45W
Efficacy
120lm/W \pm 10%



U Bracket



1/2`Knuckle Mount