



FLOODLIGHTING

KILLARK





C1D2 FLOOD – INTRODUCTION & LOGIC



PETROBRIGHT® LED

FEATURES-SPECIFICATIONS

Compliances

- UL-8750 for LED lighting
- ANSI/UL 1598(A)
- UL-844 Standard for lighting fixtures for hazardous locations, Class I, Division 2; Class II, Divisions 1 and 2; Class III
- CSA C22.2 no. 137-M1981 electric luminaires for use in hazardous locations
- Enclosed and gasketed
- Type 3, 4X
- IP66
- IEX suffix Zone 2/21 to IEC 60079-0, 60079-15, 60079-31 Standards

Materials

- Body, end caps and lens frame corrosion resistant copper-free aluminum alloy with baked powder epoxy/polyester finish, electrostatically applied for complete, uniform corrosion protection
- All external hardware - stainless steel
- Thermal shock and impact resistant glass lens
- High temperature silicone gasketing
- Trunnion heavy gauge galvanized steel with painted finish

LED Flood Features and Standards

- Crisp White Light for Excellent Color Rendering - Chromaticity 5000K (CCT); approx. 70 CRI
- Energy Savings – High lumens per watt
- LED Array Life – 100,000+ hours with 70% initial lumens



Supplemental **20KA/10KV Surge Protection** is **standard** (for 120-277 VAC models)
10KA/10KV Surge Protection (for 347-480 VAC)

- Long Fixture Life – 50,000 - 55,000 maintenance free hours
- Ambient suitability -50°C to 55°C up to 125W
- Instant On – Including after power interruption
- World Voltage 120 – 277VAC 50/60Hz
- Solder-LESS LED Board Connections – Vibration Resistant
- Standard Fixture is supplied with a single 3/4" NPT entry
- Warm LED color option available with 3070 option
- Chromaticity output:
Standard – 5000K 70 CRI
3070 option – 3000K 70 CRI
- TURTLE option provides Amber LEDs that have no blue wavelength light
- AMBER option provides phosphor converted LEDs.

Class I, Div. 2, Groups A,B,C,D
Class II, Div. 1&2, Groups EFG
Class III
Suitable for wet locations
Marine Rated (US Only)
Type 3, 4X
IP66

CSA US File LR11713

IEC Ex Rated model (w/IEX suffix)
Zone 2 and Zone 21 areas
Ex nA IIC T6...T3, Gc
Ex tb IIIC T160°C Db
Tamb -50°C <Ta<+55°C, IP66

IECEx Certificate
CSA 14.0002X

ATEX Certificate
CML 14ATEX3087/4088

PATENTED LUMINAIRE DESIGN



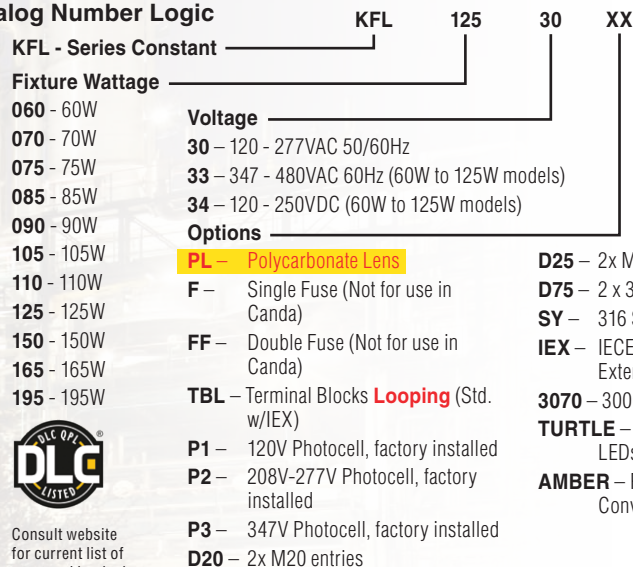
KFL with KFS-6 Slipfitter mount on 2" pipe



Dark Sky Visor KFL-DARK

IEC Units include Qty. 3 6mm terminals plus external ground as standard

Catalog Number Logic



Consult website for current list of approved luminaires



KFL SERIES

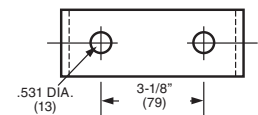
KILLARK

C1D2 FLOOD – ORDERING INFORMATION & TECHNICAL DATA

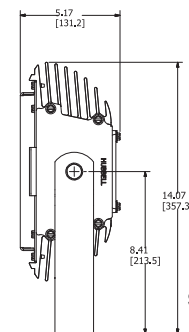
ORDERING INFORMATION AND AMBIENT SUITABILITY						C1D2		C1D2 SIMULTANEOUS		C2D1		IEC ZONE 2		IEC ZONE 21	
CATALOG NO.	WEIGHT LBS./KG	WATTS	VOLTAGE	AMPS	DELIVERED LUMENS	40°C	55°C	40°C	55°C	40°C	55°C	40°C	55°C	40°C	55°C
KFL06030	30.00 / 13.61	60	120-277VAC	0.50-0.20	6111	T6	T5	T3C	T3C	T3C (EFG)	T3C (EFG)	T6	T5	145	160
KFL07030		70	120-277VAC	0.60-0.30	9742	T6	T5	T3C	T3C	T3C (EFG)	T3C (EFG)	T6	T5	145	160
KFL07530		75	120-277VAC	0.60-0.30	7454	T6	T5	T3C	T3C	T3C (EFG)	T3C (EFG)	T6	T5	145	160
KFL08530		85	120-277VAC	0.70-0.30	10840	T6	T5	T3C	T3C	T3C (EFG)	T3C (EFG)	T6	T5	145	160
KFL08533			347-480VAC	0.24-0.17											
KFL08534			120-250VDC	0.70-0.27											
KFL09030		90	120-277VAC	0.80-0.40	9023	T6	T5	T3C	T3C	T3C (EFG)	T3C (EFG)	T6	T5	145	160
KFL09033			347-480VAC	0.28-0.23											
KFL09034			120-250VDC	0.80-0.36											
KFL10530		105	120-277VAC	0.90-0.40	10370	T4A	T4A	T3C	T3C	T3C (EFG)	T3C (EFG)	T4	T4	145	160
KFL10533			347-480VAC	0.31-0.23											
KFL10534			120-250VDC	0.90-0.36											
KFL11030		110	120-277VAC	0.90-0.40	13780	T6	T5	T3C	T3C	T3C (EFG)	T3C (EFG)	T6	T5	145	160
KFL11033			347-480VAC	0.31-0.23											
KFL11034			120-250VDC	0.90-0.36											
KFL12530		125	120-277VAC	1.00-0.50	15340	T6	T5	T3C	T3C	T3C (EFG)	T3C (EFG)	T6	T5	145	160
KFL12533			347-480VAC	0.35-0.29											
KFL12534			120-250VDC	1.00-0.45											
KFL15030		150	120-277VAC	1.25-0.54	18550	T5	-	T3C	-	T3C (EFG)	-	T5	T5	160	160
KFL16530		165	120-277VAC	1.38-0.60	19220	T5	-	T3C	-	T3C (EFG)	-	T5	T4	160	160
KFL19530	195	120-277VAC	1.63-0.70	21940	T5	-	T3C	-	T3C (EFG)	-	T5	T4	160	160	

KFL MOUNTS AND ACCESSORIES	
CATALOG NUMBER	DESCRIPTION
KFS-6	Steel Slipfitter for 2" Pipe (2-3/8" o.d.) Tenon. Slips 3.75" Over Pipe.
KFCB	Heavy Duty Cast-Iron Crossarm Fitting for Horizontal Trunnion
KFWB	Heavy Duty Wall Mount and/or Pipe Clamp Fitting Clamps 2" Pipe (2-3/8" o.d.) Through 2-1/2" Pipe (2-7/8" o.d.)
K4040	Heavy Duty Steel Wall Bracket. (Must be with KFCB Crossarm Fitting)
4041	Heavy Duty Steel Wall Bracket 2" Pipe (2-3/8" o.d.) Tenon Fitting. Uses with KFS-6
KFLG	Wire Guard, 316 Stainless Steel (not used with KFL-DARK)
VMSC10	10' Stainless Steel Safety Cable with loop grip
KFL-DARK	Dark Sky Visor, White Painted Aluminum (not used with KFL)
KFL-DOOR	Replacement Door and Lens Assembly (for units w/o internal reflectors)
KFL-DOOR2	Replacement Internal Reflector and Lens Assembly

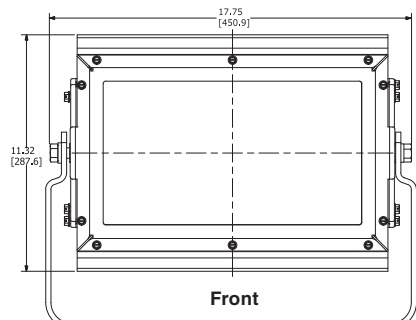
Dimensions



Trunnion Mounting Detail



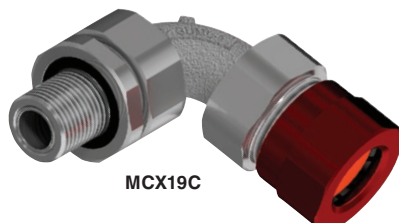
Side



Front



CABLE GLAND ORDERING OPTIONS



MCX19C

CATALOG #	ENTRY THREAD SIZE (NPT)	BEND	CABLE ACCEPTANCE DETAILS	
			DIAMETER 'C'	
			MIN.	MAX.
MCX19C	1/2"	90°	.60" (15.2)	.82" (20.8)
MCX29	3/4"	90°	.73" (18.5)	1.03" (26.2)

For entire series, please see page 81.



COMPACT FLOOD – INTRODUCTION & LOGIC



Class I, Div. 2, Groups A,B,C,D
Class I, Zone 2, Groups IIC, IIB, IIA
Class II, Div. 1 & 2, Groups E,F,G
Class III
Type 4X

CSA US File LR11713

PETROBRIGHT® LED

FEATURES-SPECIFICATIONS

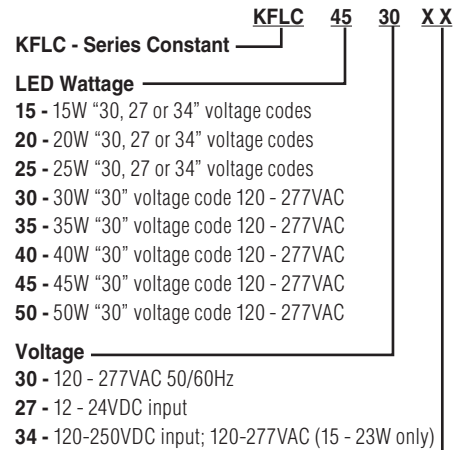
LED Flood Features and Standards

- One 3/4" NPT hub & R-21 3/4" x 1/2" reducer is standard
- Crisp White Light for Excellent Color Rendering – Chromaticity 5000 K (CCT); approx. 70 CRI
- Energy Savings – High lumens per watt
- LED Array Life – 100,000+ hours with 70% initial lumens

Supplemental **20KA/10KV Surge Protection** is **standard** (for 120-277 VAC models)
10KA/10KV Surge Protection (for 347-480 VAC)

- Long Fixture Life – 50,000 - 55,000 maintenance free hours
- Ambient suitability -40°C to 55°C
- Instant On – Including after power interruption
- Solder-LESS LED Board Connections – Vibration Resistant

Catalog Number Logic

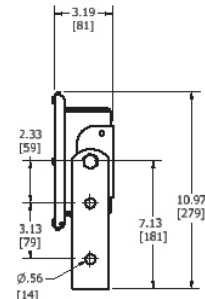
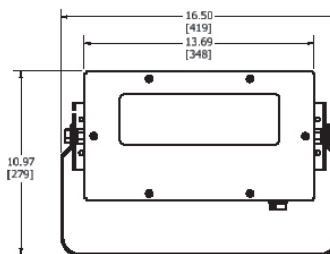
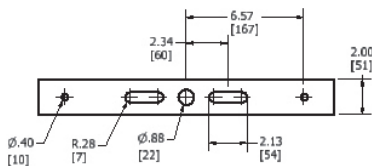


Options

- LY-** Less Yoke for Wall Mount
- F-** Single Fuse (Not for use in Canada)
- FF-** 2 Fuses (Not for use in Canada)
- SP-** Surge Protection
- TBL-** Terminal Blocks Looping
- D75-** Dual 3/4" threaded NPT entry
- M25-** Single M25 Slip-hole Entry
- D25-** Two M25 Slip-hole Entry
- M20-** Single M20 Slip-hole Entry
- D20-** Dual M20 Slip-hole Entry
- PL-** Polycarbonate Lens
- 3070-** 3000K (CCT) and 70 CRI LEDs

ORDERING INFORMATION AND AMBIENT SUITABILITY						C1D2		C1D2		C2D1	
CATALOG NO.	WEIGHT LBS./KG	WATTS	VOLTAGE	AMPS	DELIVERED LUMENS	40°C	55°C	40°C	55°C	40°C	55°C
KFLC1527	9.50 / 4.31	15	12-24VDC	1.3-0.6	1435	T6	T6	T4	T3B	T4A	T4A
KFLC1530			120-277VAC	0.2-0.1							
KFLC1534			120-250VDC	0.2-0.1							
KFLC2027		20	12-24VDC	1.7-0.8	2170	T6	T6	T4	T3B	T4A	T4A
KFLC2030			120-277VAC	0.2-0.1							
KFLC2034			120-250VDC	0.2-0.1							
KFLC2527		25	12-24VDC	2.1-1.0	2667	T6	T6	T4	T3B	T4A	T4A
KFLC2530			120-277VAC	0.2-0.1							
KFLC2534			120-250VDC	0.2-0.1							
KFLC3030		30	120-277VAC	0.26-0.11	2662	T6	T6	T4	T3B	T4A	T4A
KFLC3530				0.30-0.13	3302	T6	T6	T4	T3B	T4A	T4A
KFLC4030				0.34-0.15	4039	T6	T6	T4	T3B	T4A	T4A
KFLC4530	0.38-0.17			4718	T6	T6	T4	T3B	T4A	T4A	
KFLC5030	0.42-0.18			5353	T6	T6	T4	T3B	T4A	T4A	

Dimensions





C1D2 FLOOD – INTRODUCTION & LOGIC



Class I, Div. 2, Groups A, B, C, D
 Class I, Zone 2, IIC, IIB, IIA
 Class II, Div. 1 & 2, Groups E, F, G
 Class III
 Suitable for wet locations
 Marine Rated (US only)
 Type 3, 4X
 IP66

IEC Ex Rated Model
 Zone 2 and Zone 21 areas
 Ex nA IIC T6...T3, Gc
 Ex tb IIC T105°C, Db
 Tamb -50°C < Ta < +55°C, IP66



IECEX Certificate
 QPS 15.0011

ATEX Certificate
 CML 15ATEX4079X (nA)
 &
 CML 15ATEX3080X (tb)

PATENTED
 LENS and
 REFLECTOR
 DESIGN



KFLH
 Luminaire

Dark Sky Visor
 KFLH-DARK

PETROBRIGHT® LED FEATURES-SPECIFICATIONS

Compliances

- UL-8750 for LED lighting
- ANSI/UL 1598(A)
- UL-844 Standard for lighting fixtures for hazardous locations, Class I, Division 2; Class II, Divisions 1 and 2; Class III
- CSA C22.2 no. 137-M1981 electric luminaires for use in hazardous locations
- Enclosed and gasketed
- Type 3, 4X
- IP66

Materials

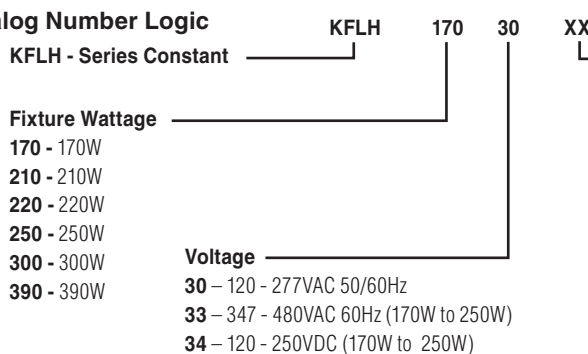
- Body and lens frame corrosion resistant copper-free aluminum alloy with baked powder epoxy/polyester finish, electrostatically applied for complete, uniform corrosion protection
- All external hardware – stainless steel
- Thermal shock and impact resistant glass lens (Polycarbonate available)
- High temperature silicone gasketing
- Trunnion heavy gauge 316 stainless steel

LED Flood Features and Standards

Supplemental **20KA/10KV Surge Protection** is standard (for 120-277 VAC models)
10KA/10KV Surge Protection (for 347-480 VAC)

- Crisp White Light for Excellent Color Rendering – Chromaticity 5000K (CCT); approx. 70 CRI
- Energy Savings – High lumens per watt
- LED Array Life – 100,000+ hours with 70% initial lumens
- Long Fixture Life – 50,000 - 55,000 maintenance free hours
- Ambient suitability -40°C to 55°C up to 250W to -50°C for non-hazardous applications
- Instant On – Including after power interruption
- World Voltage 120 – 277VAC 50/60Hz
- Solder-LESS LED Board Connections – Vibration Resistant
- Standard fixture is supplied with dual M20 slip holes with 3/4" NPT hub adapters with one plugged
- **Warm LED color option available with 3070**

Catalog Number Logic



Options

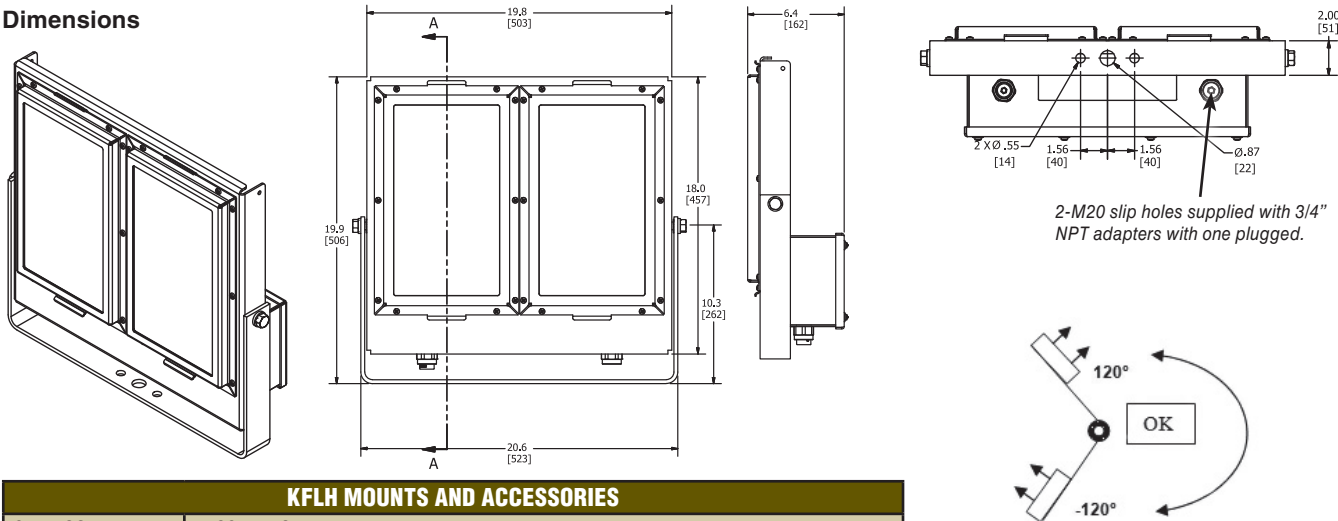
- PL - Polycarbonate Lens**
- F - Single Fuse** (Not for use in Canada)
- FF - Double Fuse** (Not for use in Canada)
- TBL - Terminal Blocks** **Looping**
- P1 - 120V Photocell**, factory installed
- P2 - 208V-277V Photocell**, factory installed
- P3 - 347V Photocell**, factory installed
- 3070 - 3000K (CCT) and 70 CRI LEDs**
- TURTLE - Wildlife Friendly Amber LEDs**
- AMBER - PC Amber (Phosphor Converted) LEDs**



C1D2 FLOOD – ORDERING INFORMATION & TECHNICAL DATA

ORDERING INFORMATION AND AMBIENT SUITABILITY						C1D2		C1D2 SIMULTANEOUS		C2D1		IEC ZONE 2		IEC ZONE 21		
CATALOG NO.	WEIGHT LBS./KG	WATTS	VOLTAGE	AMPS	LUMENS	40°C	55°C	40°C	55°C	40°C	55°C	40°C	55°C	40°C	55°C	
KFLH17030	25.00 / 11.3	170	120-277VAC	1.46-0.63	21620	T4A	T4	T4	T3C	T4	T3C	T4	T4	T100°C	T100°C	
KFLH17033			347-480VAC	0.51-0.36												
KFLH17034			120-250VDC	1.46-0.56												
KFLH21030		210	210	120-277VAC	1.75-0.75	21220	T4A	T4	T4	T3C	T4	T3C	T4	T4	T100°C	T100°C
KFLH21033				347-480VAC	0.61-0.43											
KFLH21034				120-250VDC	1.75-0.68											
KFLH22030		220	220	120-277VAC	1.88-0.81	26970	T4A	T4	T4	T3C	T4	T3C	T4	T4	T100°C	T100°C
KFLH22033				347-480VAC	0.65-0.47											
KFLH22034				120-250VDC	1.88-0.73											
KFLH25030		250	250	120-277VAC	2.17-0.94	30950	T4A	T4	T4	T3C	T4	T3C	T4	T4	T100°C	T100°C
KFLH25033				347-480VAC	0.75-0.54											
KFLH25034				120-250VDC	2.17-0.85											
KFLH30030	300	300	120-277VAC	2.48-1.07	37030	T4A	-	-	-	-	-	T4	-	T110°C		
KFLH39030	390	390	120-277VAC	3.30-1.43	40410	T3C	-	-	-	-	-	T3	-	T110°C		

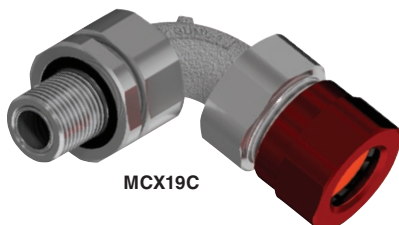
Dimensions



KFLH MOUNTS AND ACCESSORIES

CATALOG NUMBER	DESCRIPTION
KFS-6	Steel Slipfitter for 2" Pipe (2-3/8" o.d.) Tenon. Slips 3.75" Over Pipe.
KFCB	Heavy Duty Cast-Iron Crossarm Fitting for Horizontal Trunnion
KFWB	Heavy Duty Wall Mount and/or Pipe Clamp Fitting Clamps 2" Pipe (2-3/8" o.d.) Through 2-1/2" Pipe (2-7/8" o.d.)
K4040	Heavy Duty Steel Wall Bracket. (Must be with KFCB Crossarm Fitting)
4041	Heavy Duty Steel Wall Bracket 2" Pipe (2-3/8" o.d.) Tenon Fitting. Use with KFS-6
KFLG	Wire Guard, 316 Stainless Steel (order 2 per fixture)
VMSC10	10' Stainless Steel Safety Cable with loop grip
KFLH-DARK	Dark Sky Visor, White Painted Aluminum
KFLH-DOOR	Replacement Internal Reflector and Lens Assembly (order 2 per fixture as required)

CABLE GLAND ORDERING OPTIONS



MCX19C

CATALOG #	ENTRY THREAD SIZE (NPT)	BEND	CABLE ACCEPTANCE DETAILS	
			DIAMETER 'C'	MIN.
MCX19C	1/2"	90°	.60" (15.2)	.82" (20.8)
MCX29	3/4"	90°	.73" (18.5)	1.03" (26.2)

For entire series, please see page 81.





C1D2 FLOOD – INTRODUCTION & LOGIC



Class I, Div. 2, Groups A, B, C, D
 Class I, Zone 2, IIC, IIB, IIA
 Class II, Div. 1 & 2, Groups E, F, G
 Class III
 Suitable for wet locations
 Marine Rated (US only)
 Type 3, 4X
 IP66

IEC Ex Rated Model (w/ IEX suffix)
 Zone 2 and Zone 21 areas
 Ex nA IIC T6...T3, Gc
 Ex tb IIC T105°C Db
 Tamb -50°C < Ta < +55°C, IP66

IECEX Certificate
 QPS 15.0011



ATEX Certificate
 CML 15ATEX4079X (nA)
 &
 CML 15ATEX3080X (tb)

PATENTED LENS and REFLECTOR DESIGN

Dark Sky Visor
 KFLH-DARK



PETROBRIGHT® LED

FEATURES-SPECIFICATIONS

Compliances

- UL-8750 for LED lighting
- ANSI/UL 1598(A)
- UL-844 Standard for lighting fixtures for hazardous locations, Class I, Division 2; Class II, Divisions 1 and 2; Class III
- CSA C22.2 no. 137-M1981 electric luminaires for use in hazardous locations
- Enclosed and gasketed
- Type 3, 4X
- IP66

Materials

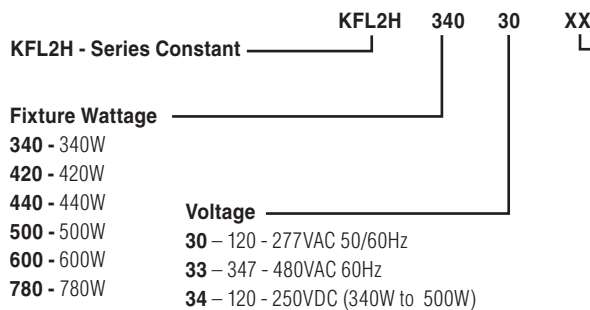
- Body and lens frame corrosion resistant copper-free aluminum alloy with baked powder epoxy/polyester finish, electrostatically applied for complete, uniform corrosion protection
- All external hardware – stainless steel
- Thermal shock and impact resistant glass lens (Polycarbonate available)
- High temperature silicone gasketing
- Trunnion heavy gauge 316 stainless steel

LED Flood Features and Standards

Supplemental **20KA/10KV Surge Protection** is **standard** (for 120-277 VAC models)
10KA/10KV Surge Protection (for 347-480 VAC)

- Crisp White Light for Excellent Color Rendering – Chromaticity 5000K (CCT); approx. 70 CRI
- Energy Savings – High lumens per watt
- LED Array Life – 100,000+ hours with 70% initial lumens
- Long Fixture Life – 50,000 - 55,000 maintenance free hours
- Ambient suitability -40°C to 55°C up to 500W to -50°C for non-hazardous applications
- Instant On – Including after power interruption
- World Voltage 120 – 277VAC 50/60Hz
- **Warm LED color option available with 3070**
- Solder-LESS LED Board Connections – Vibration Resistant
- Standard fixture is supplied with dual M20 slip holes with 3/4" NPT hub adapters with one plugged

Catalog Number Logic



Options

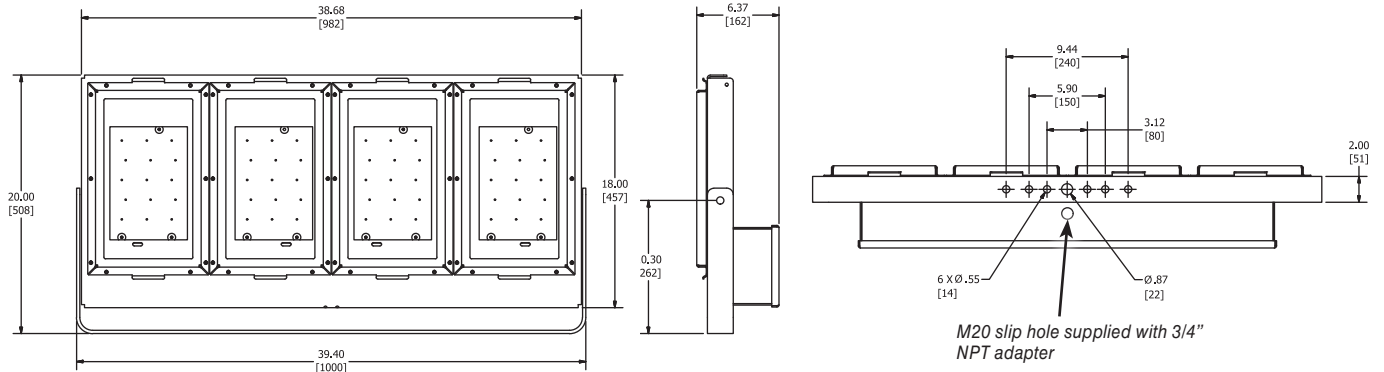
- PL - Polycarbonate Lens**
- F - Single Fuse** (Not for use in Canada)
- FF - Double Fuse** (Not for use in Canada)
- TBL - Terminal Blocks** **Looping**
- P1 - 120V Photocell**, factory installed
- P2 - 208V-277V Photocell**, factory installed
- P3 - 347V Photocell**, factory installed
- IEX - IEXEx** includes TBL & External ground
- 3070 - 3000K (CCT)** and 70 CRI LEDs
- TURTLE - Wildlife Friendly Amber LEDs**
- AMBER - PC Amber (Phosphor Converted) LEDs**



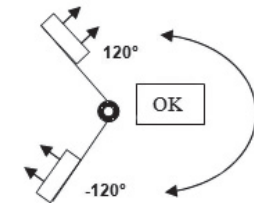
C1D2 FLOOD – ORDERING INFORMATION & TECHNICAL DATA

ORDERING INFORMATION AND AMBIENT SUITABILITY						C1D2		C1D2 SIMULTANEOUS		C2D1		IEC ZONE 2		IEC ZONE 21	
CATALOG NO.	WEIGHT LBS./KG	WATTS	VOLTAGE	AMPS	LUMENS	40°C	55°C	40°C	55°C	40°C	55°C	40°C	55°C	40°C	55°C
KFL2H34030	50.00 / 22.6	340	120-277VAC	2.92-1.26	43240	T4A	T4	T4	T3C	T4	T3C	T4	T4	T85°C	T100°C
KFL2H34033			347-480VAC	1.02-0.72											
KFL2H34034			120-250VDC	2.92-1.12											
KFL2H42030		420	120-277VAC	3.50-1.50	42440	T4A	T4	T4	T3C	T4	T3C	T4	T4	T85°C	T100°C
KFL2H42033			347-480VAC	1.22-0.86											
KFL2H42034			120-250VDC	3.50-1.36											
KFL2H44030		440	120-277VAC	3.76-1.62	53940	T4A	T4	T4	T3C	T4	T3C	T4	T4	T85°C	T100°C
KFL2H44033			347-480VAC	1.30-0.94											
KFL2H44034			120-250VDC	3.76-1.46											
KFL2H50030		500	120-277VAC	4.34-1.88	61900	T4A	T4	T4	T3C	T4	T3C	T4	T4	T85°C	T100°C
KFL2H50033			347-480VAC	1.50-1.08											
KFL2H50034			120-250VDC	4.34-1.70											
KFL2H60030	600	120-277VAC	4.96-2.14	74060	T4A	T4	-	-	-	-	T4	T4	T85°C	T100°C	
KFL2H78030	780	120-277VAC	6.60-2.86	80820	T4	-	-	-	-	-	T4	-	T100°C	-	

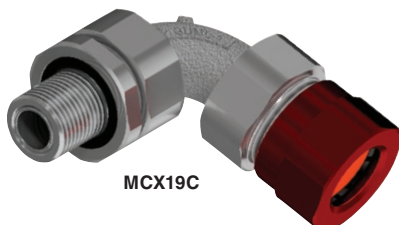
Dimensions



KFL2H MOUNTS AND ACCESSORIES	
CATALOG NUMBER	DESCRIPTION
KFS-6	Steel Slipfitter for 2" Pipe (2-3/8" o.d.) Tenon. Slips 3.75" Over Pipe
KFCB	Heavy Duty Cast-Iron Crossarm Fitting for Horizontal Trunnion
KFWB	Heavy Duty Wall Mount and/or Pipe Clamp Fitting Clamps 2" Pipe (2-3/8" o.d.) Through 2-1/2" Pipe (2-7/8" o.d.)
K4040	Heavy Duty Steel Wall Bracket. (Must be with KFCB Crossarm Fitting)
4041	Heavy Duty Steel Wall Bracket 2" Pipe (2-3/8" o.d.) Tenon Fitting. Use with KFS-6
KFLG	Wire Guard, 316 Stainless Steel (order 4 per fixture)
VMSC10	10' Stainless Steel Safety Cable with loop grip
KFLH-DARK	Dark Sky Visor, White Painted Aluminum
KFLH-DOOR	Replacement Internal Reflector and Lens Assembly (order 4 per fixture as required)



CABLE GLAND ORDERING OPTIONS



CATALOG #	ENTRY THREAD SIZE (NPT)	BEND	CABLE ACCEPTANCE DETAILS	
			DIAMETER 'C'	MIN.
MCX19C	1/2"	90°	.60" (15.2)	.82" (20.8)
MCX29	3/4"	90°	.73" (18.5)	1.03" (26.2)

For entire series, please see page 81.