


Descriptions:

The enclosures of full plastic weather-proof terminal boxes are made of glass fibre reinforced polyester. All the metal elements are anti-corrosive. Concave-convex joints between the covers and bodies are designed to mount an air-foam silicone bar, which secure a degree of protection IP65. Terminal boxes are used for dividing and connecting wires for various electrical apparatus and instruments in the circuits.

Terminal boxes have more specifications. Built-in spire terminals have specifications for 1.5 ~240mm² and connect and fix the entry leads.

Different type and specification cable glands apply to different cable entries. The entry moulded plastics or metal cable glands are metric threads. The cable glands are fitted with loosen proof clamping jaws and have good mechanical property. The unused entries must be sealed with the stopping plugs.

- Many enclosures can be combined.
- Wiring from various directions.
- Metal cable glands may be selected.



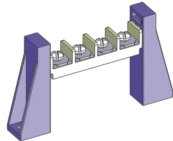
● Description:

Different specification boxes may be selected as user's requirements, such as moulded plastics or metal cable glands, different specifications terminals.

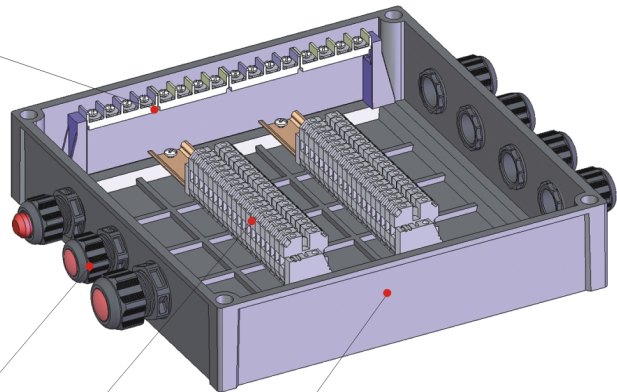
● M20 □□ Diagram of full plastic weather-proof terminal boxes:

● 306 PE Main technical data of terminal block

Type	Quantity or terminal × Cross section
306 PE/1-04	4 × (2 × 10mm ²)
306 PE/3-04	4 × (2 × 10mm ²)
306 PE/5-06	6 × (2 × 10mm ²)
306 PE/7-08	8 × (2 × 10mm ²)
306 PE/8-16	16 × (2 × 10mm ²)



Moulded plastics cable gland



Enclosure of full plastic weather-proof terminal boxes

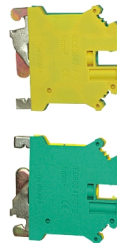
● UK Main technical data of terminal:

Colour specification	Rated voltage Corss-section
Grey	
UK/1.5N	352V / 1.5mm ²
UK/3N	690V / 2.5mm ²
UK/5N	690V / 4mm ²
UK/6N	690V / 6mm ²
UK/10N	690V / 10mm ²
UK/16N	690V / 16mm ²
UK/35N	690V / 35mm ²
UKH/50	690V / 50mm ²
UKH/95	880V / 95mm ²
UKH/150	1100V / 150mm ²
UKH/240	1100V / 240mm ²



● UK Main technical data of terminal (Ex e):

规格 Specification	额定截面 Rated Corss-section
MBK3/E-Z	2.5mm ²
MBK6/E	6mm ²
MSLKG6	6mm ²
USLK 1.5N	1.5mm ²
USLK 2.5N	2.5mm ²
USLK 5	4mm ²
USLK 6N	6mm ²
USLK 10N	10mm ²
USLK 16N	16mm ²
USLK 35	35mm ²
USLK 50	50mm ²
USLK 95	95mm ²

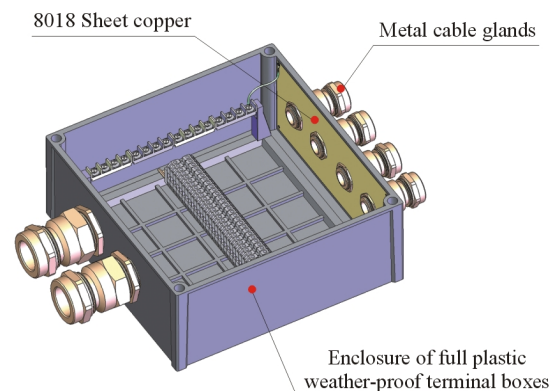


● Selection tabel for earthing/equipotential terminal and minimum cross section

Phase pole cross-sectional area S	Earthing/cross section of equipotential terminal SP
$S \leq 16 \text{ mm}^2$	S
$16 \text{ mm}^2 < S \leq 35 \text{ mm}^2$	16 mm ²
$S > 35 \text{ mm}^2$	0.S

Notes: earthing/cross section of equipotential terminal is associated with the cross-sectional of phase pole

● The brass plate shall be equipped and used together with metal cable gland.



8018 Sheet copper

Metal cable glands

Enclosure of full plastic weather-proof terminal boxes

- For weather-proof cable gland see pages B1/24;
The related detailed technical data and code see page of B/41~B/61 when other cable gland is selected or required.
- For technical parameters and codes of the box body and relevant accessories see pages C1/27~C1/28.





• Main technical data:

Corrosion-proof mark: WF2

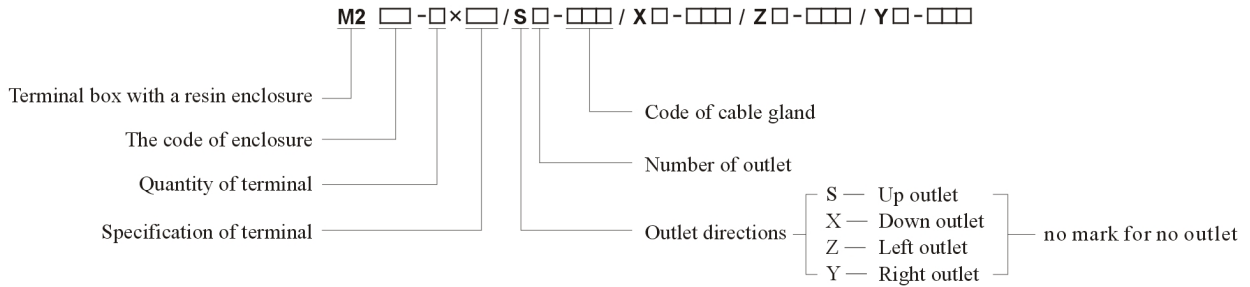
Degree of protection: IP65

Ambient temperature use: -40°C ≤ Ta ≤ 55°C

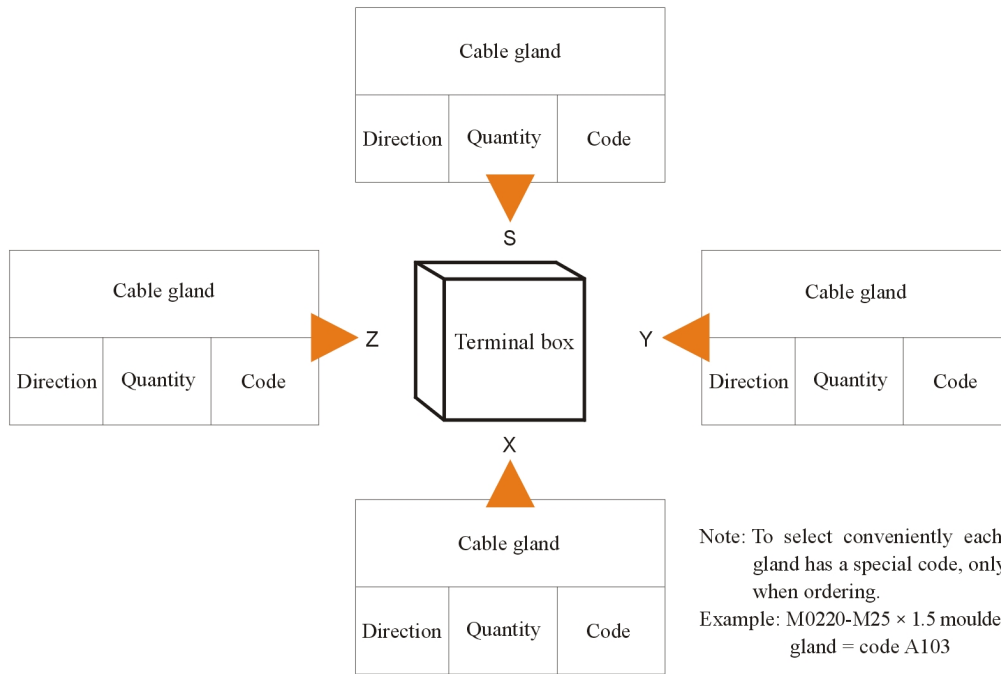
Material of enclosure: Glass fibre reinforced polyester (SMC)

• Order specifications:

Model implication:



E



Note: To select conveniently each kind of cable gland has a special code, only give the code when ordering.

Example: M0220-M25 × 1.5 moulded plastics cable gland = code A103



• Table of terminals:

Box specification	TS35×7.5 Mounting rail	Specification and quantities of UK terminals									
		2.5mm ²	4mm ²	6mm ²	10mm ²	16mm ²	35mm ²	50mm ²	95mm ²	150mm ²	240mm ²
M2001 		14	12	10	/	/	/	/	/	/	/
M2011 		22	18	12	10	8	/	/	/	/	/
M2031 		26	22	16	12	10	8	/	/	/	/
M2032 		26	22	16	12	10	8	/	/	/	/
M2051 		40	34	25	20	17	13	/	/	/	/
M2052 		40	34	25	20	17	13	/	/	/	/





• Table of terminals:

Box specification	TS35×7.5 Mounting rail	Specification and quantities of UK terminals									
		2.5mm ²	4mm ²	6mm ²	10mm ²	16mm ²	35mm ²	50mm ²	95mm ²	150mm ²	240mm ²
M2071 		50	41	31	25	21	18	/	/	/	/
M2071 		100	82	/	/	/	/	/	/	/	/
M2072 		50	41	31	25	21	18	/	/	/	/
M2072 		100	82	/	/	/	/	/	/	/	/
M2081 		50	41	32	26	22	18	/	/	/	/
M2081 		100	82	64	52	44	/	/	/	/	/

E



• Table of terminals:

Box specification	TS35×7.5 Mounting rail	Specification and quantities of UK terminals									
		2.5mm ²	4mm ²	6mm ²	10mm ²	16mm ²	35mm ²	50mm ²	95mm ²	150mm ²	240mm ²
M2081 		150	123	/	/	/	/	/	/	/	/
M2082 		50	41	32	26	22	18	12	10	8	7
M2082 		100	82	64	52	44	/	/	/	/	/
M2082 		150	123	/	/	/	/	/	/	/	/
M2092 		100	82	64	52	44	36	24	20	16	14
M2092 		200	164	128	104	88	/	/	/	/	/

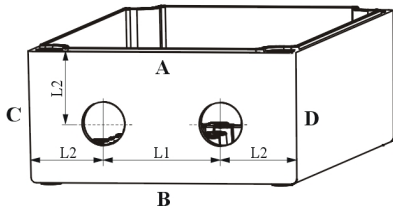




• Table of terminals:

Box specification	TS35×7.5 Mounting rail	Specification and quantities of UK terminals									
		2.5mm ²	4mm ²	6mm ²	10mm ²	16mm ²	35mm ²	50mm ²	95mm ²	150mm ²	240mm ²
M2092 		300	246	/	/	/	/	/	/	/	/

• Configuration of cable entry device:



Minimum center distance of aperture for full plastic cable gland

L1 (mm) Specification	Cable gland specification						
	M16	M20	M25	M32	M40	M50	M63
M16	24	27	29	33	39	45	51
M20	27	29	32	36	42	48	54
M25	29	32	34	38	44	50	56
M32	33	36	38	42	48	54	60
M40	39	42	44	48	53	60	66
M50	45	48	50	54	60	63	72
M63	51	54	54	60	66	72	77

The minimum distance between aperture center of full plastic cable gland and each enclosure side, minimum center distance of aperture for cable gland

L2 (mm) Specification	Side code						
	M16	M20	M25	M32	M40	M50	M63
A	13	16	18	22	28	34	40
B	18	21	23	27	33	39	45
C	36	37	41	45	51	57	63
D	36	37	41	45	51	57	63

Note: The dimension of series M207□ , M208□ , M209□ increased 5mm



• Outline dimensions:

