



CABLE MANAGEMENT SYSTEM

Contents

MS	Mounting systems
PCT	Perforated cable trays.....6-29
	ST/ RF/ IB HB/VIB/VOB/CR/RTEE/UTEE/VTEE/REDC/REDL/REDR
ECT	Embossed cable trays.....30-37
	ST/ UT /RF/ IB
LCT	Ladder cable trays.....38-61
	IB / OB /UI / OU HB/VIB/VOB/CR/RTEE/UTEE/VTEE/REDC/REDL/REDR
TC	Tray Cover.....62-81
	PT / VT / LT / DF / DS HB/VIB/VOB/CR/RTEE/UTEE/VTEE/REDC/REDL/REDR
IFT	Industrial Floor Trunking.....82-101
	IB HB/VIB/VOB/CR/RTEE/UTEE/VTEE/REDC/REDL/REDR
WMCT	Wire Mesh Cable Tray.....102-105
	HB/VIB/VOB/CR/RTEE/UTEE/VTEE/REDC/REDL/REDR
FRP	FRP Cable Tray.....106-113
	HB/VIB/VOB/CR/RTEE/UTEE/VTEE/REDC/REDL/REDR
EM	Earthing Material.....114-114



About us

Western was incorporated in the year 1970 as a grating fabricator and is today recognized as a diversified group. Indiana's business verticals are fabricated structural steel, steel bridges, gratings, handrails, cable management systems and bulk material management systems.

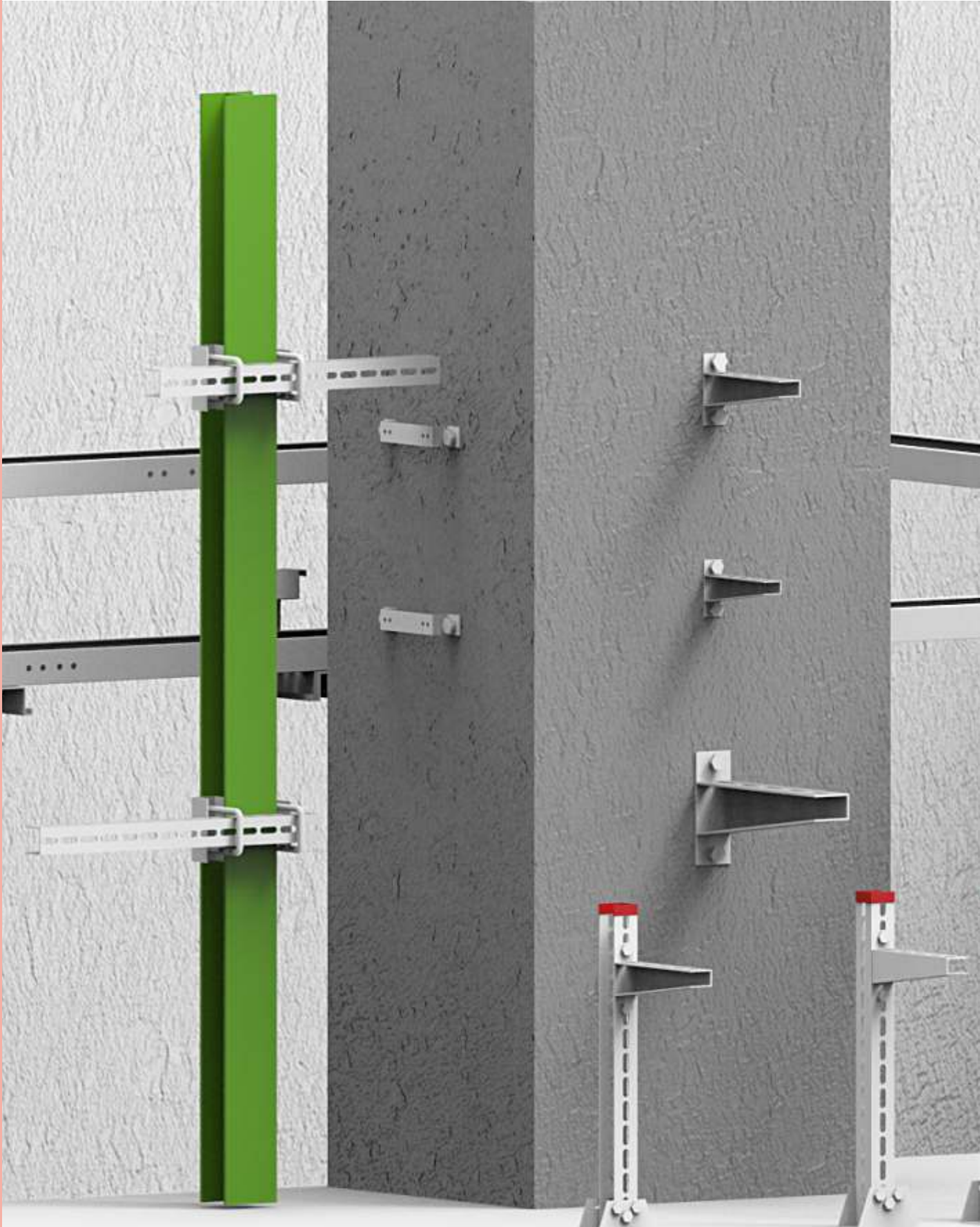
Western serves its worldwide customers through its state-of-the-art fabrication facilities that implement world-class processes and practices.

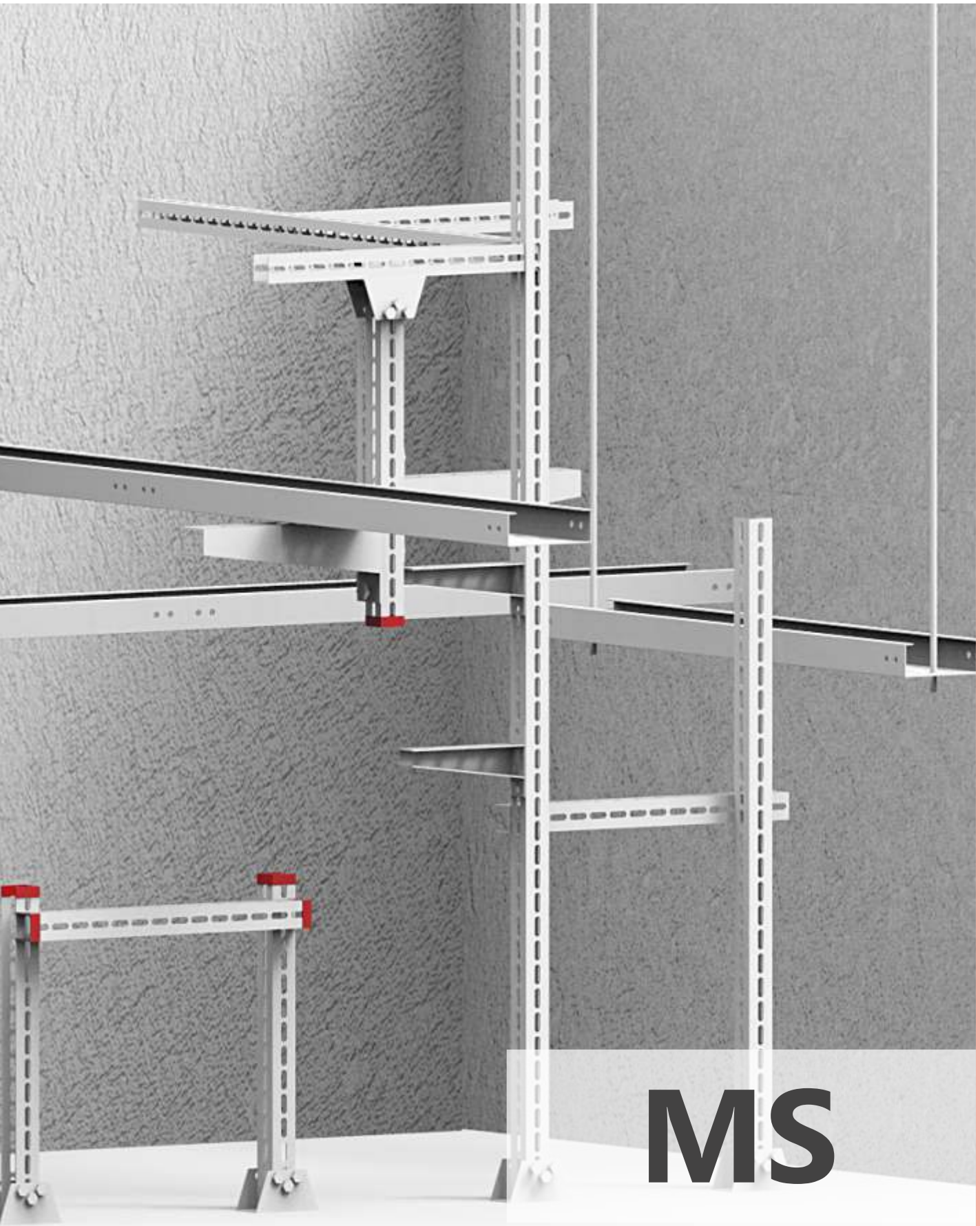
Western is a customer-centric group and has rich experience of working with leading owners, consultants and contractors worldwide.

Western exports to various parts of the world which include (but not limited to) the Middle East, South East Asia, the Americas, Australia and Europe.

Western has executed projects for various international companies (but not limited to) like Bechtel, Fluor, Saipem, CB&I, Petrofac, Technip, Foster & Wheeler, Tecnicas Reunidas, J Ray McDermott and NPCC. It has also executed projects for Indian companies such as NTPC, BHEL, Reliance, ONGC, L&T, Thermax, BGR Energy, Essar, Adani and TATA groups.

Mounting Systems





MS



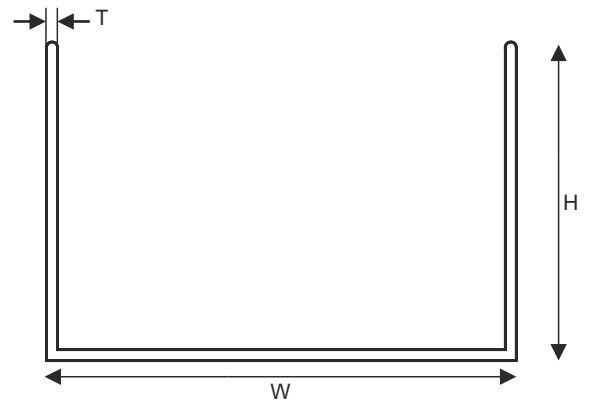
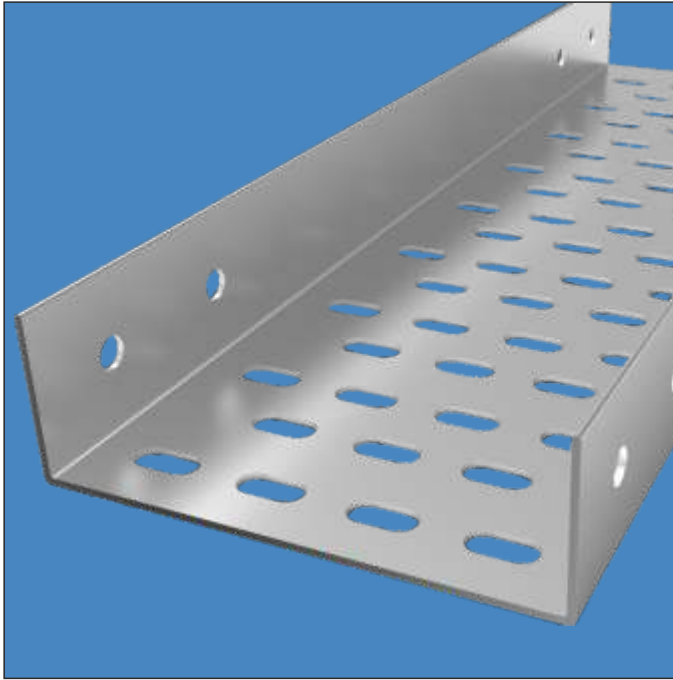
Perforated Cable Tray- (PCT)

Perforated Cable Tray- (PCT)

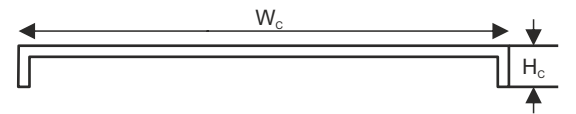
Perforated Straight Flange Tray

Type of Tray	Profile	Width	Height	Thk	Length	Material	Finish
PCT	ST	Please refer below table			2500	MS	HD
					3000	PG	PT
					6000	AL	PC
						S4	SC
						S6	PP

FOR Example:PCT-ST00-050-025-2.0-2500-MS-HD



$$W = \text{Width} / H = \text{Height} / T = \text{Thickness}$$



Height (mm)	Width (mm)	Thickness (mm)				
25	50	1.2	1.5	2.0	2.5	3.0
25	100	1.2	1.5	2.0	2.5	3.0
25	150	1.2	1.5	2.0	2.5	3.0
25	300	1.2	1.5	2.0	2.5	3.0
25	450	-	1.5	2.0	2.5	3.0
25	600	-	1.5	2.0	2.5	3.0
25	750	-	-	2.0	2.5	3.0
25	900	-	-	2.0	2.5	3.0

Height (mm)	Width (mm)	Thickness (mm)				
75	100	1.2	1.5	2.0	2.5	3.0
75	150	1.2	1.5	2.0	2.5	3.0
75	300	1.2	1.5	2.0	2.5	3.0
75	450	-	1.5	2.0	2.5	3.0
75	600	-	1.5	2.0	2.5	3.0
75	750	-	-	2.0	2.5	3.0
75	900	-	-	2.0	2.5	3.0
-	-	-	-	-	-	-

Height (mm)	Width (mm)	Thickness (mm)				
50	50	1.2	1.5	2.0	2.5	3.0
50	100	1.2	1.5	2.0	2.5	3.0
50	150	1.2	1.5	2.0	2.5	3.0
50	300	1.2	1.5	2.0	2.5	3.0
50	450	-	1.5	2.0	2.5	3.0
50	600	-	1.5	2.0	2.5	3.0
50	750	-	-	2.0	2.5	3.0
50	900	-	-	2.0	2.5	3.0

Height (mm)	Width (mm)	Thickness (mm)				
100	100	1.2	1.5	2.0	2.5	3.0
100	150	1.2	1.5	2.0	2.5	3.0
100	300	1.2	1.5	2.0	2.5	3.0
100	450	-	1.5	2.0	2.5	3.0
100	600	-	1.5	2.0	2.5	3.0
100	750	-	-	2.0	2.5	3.0
100	900	-	-	2.0	2.5	3.0
-	-	-	-	-	-	-

Note:

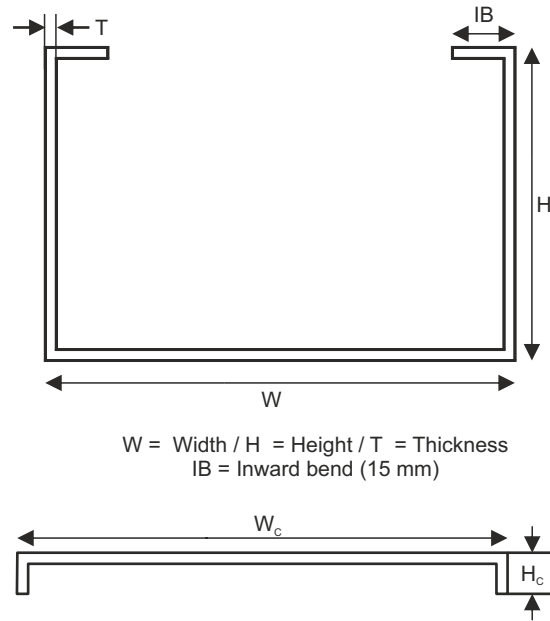
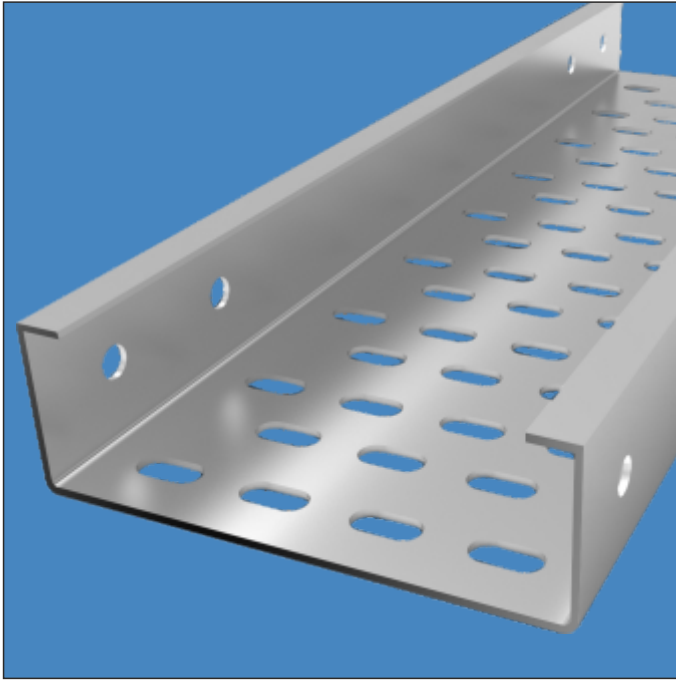
1. Above all Sizes are standard, Tailor-made sizes can be manufactured.
2. For Product code please refer page No xx

Perforated Cable Tray- (PCT)

Perforated Inward Bend Flange Tray

Type of Tray	Profile	Width	Height	Thk	Length	Material	Finish
PCT	IB	Please refer below table			2500	MS	HD
					3000	PG	PT
					6000	AL	PC
						S4	SC
						S6	PP

FOR Example:PCT-IB15-050-025-2.0-2500-MS-HD



Height (mm)	Width (mm)	Thickness (mm)				
25	50	1.2	1.5	2.0	2.5	3.0
25	100	1.2	1.5	2.0	2.5	3.0
25	150	1.2	1.5	2.0	2.5	3.0
25	300	1.2	1.5	2.0	2.5	3.0
25	450	-	1.5	2.0	2.5	3.0
25	600	-	1.5	2.0	2.5	3.0
25	750	-	-	2.0	2.5	3.0
25	900	-	-	2.0	2.5	3.0

Height (mm)	Width (mm)	Thickness (mm)				
75	100	1.2	1.5	2.0	2.5	3.0
75	150	1.2	1.5	2.0	2.5	3.0
75	300	1.2	1.5	2.0	2.5	3.0
75	450	-	1.5	2.0	2.5	3.0
75	600	-	1.5	2.0	2.5	3.0
75	750	-	-	2.0	2.5	3.0
75	900	-	-	2.0	2.5	3.0
-	-	-	-	-	-	-

Height (mm)	Width (mm)	Thickness (mm)				
50	50	1.2	1.5	2.0	2.5	3.0
50	100	1.2	1.5	2.0	2.5	3.0
50	150	1.2	1.5	2.0	2.5	3.0
50	300	1.2	1.5	2.0	2.5	3.0
50	450	-	1.5	2.0	2.5	3.0
50	600	-	1.5	2.0	2.5	3.0
50	750	-	-	2.0	2.5	3.0
50	900	-	-	2.0	2.5	3.0

Height (mm)	Width (mm)	Thickness (mm)				
100	100	1.2	1.5	2.0	2.5	3.0
100	150	1.2	1.5	2.0	2.5	3.0
100	300	1.2	1.5	2.0	2.5	3.0
100	450	-	1.5	2.0	2.5	3.0
100	600	-	1.5	2.0	2.5	3.0
100	750	-	-	2.0	2.5	3.0
100	900	-	-	2.0	2.5	3.0
-	-	-	-	-	-	-

Note:

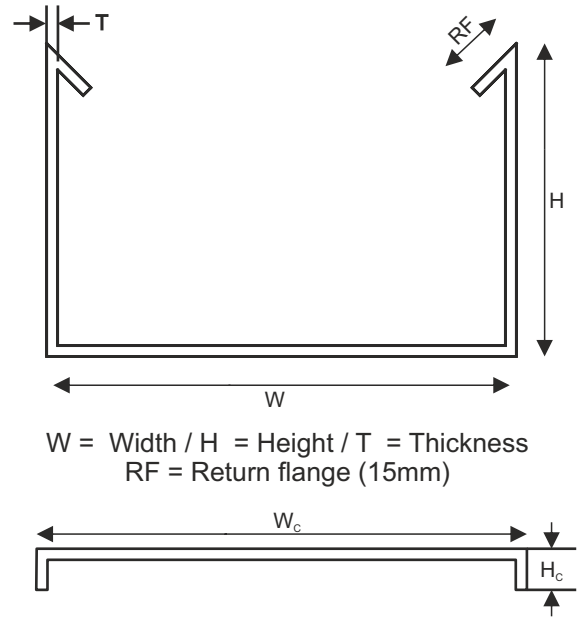
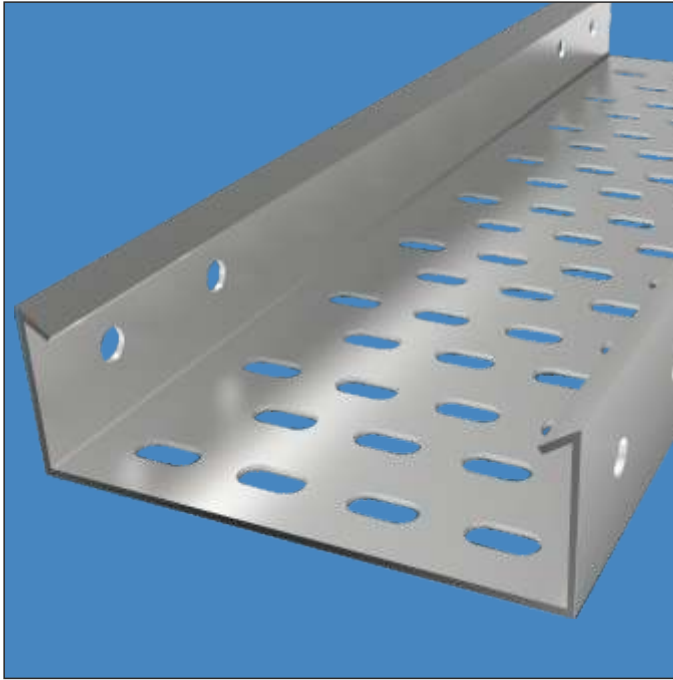
- Above all Sizes are standard, Tailor-made sizes can be manufactured.
- For Product code please refer page No xx

Perforated Cable Tray- (PCT)

Perforated Return Flange Tray

Type of Tray	Profile	Width	Height	Thk	Length	Material	Finish
PCT	ST	Please refer below table			2500	MS	HD
					3000	PG	PT
					6000	AL	PC
						S4	SC
						S6	PP

FOR Example:PCT-FR15-050-025-2.0-6000-MS-HD



Height (mm)	Width (mm)	Thickness (mm)				
25	50	1.2	1.5	2.0	2.5	3.0
25	100	1.2	1.5	2.0	2.5	3.0
25	150	1.2	1.5	2.0	2.5	3.0
25	300	1.2	1.5	2.0	2.5	3.0
25	450	-	1.5	2.0	2.5	3.0
25	600	-	1.5	2.0	2.5	3.0
25	750	-	-	2.0	2.5	3.0
25	900	-	-	2.0	2.5	3.0

Height (mm)	Width (mm)	Thickness (mm)				
75	100	1.2	1.5	2.0	2.5	3.0
75	150	1.2	1.5	2.0	2.5	3.0
75	300	1.2	1.5	2.0	2.5	3.0
75	450	-	1.5	2.0	2.5	3.0
75	600	-	1.5	2.0	2.5	3.0
75	750	-	-	2.0	2.5	3.0
75	900	-	-	2.0	2.5	3.0
-	-	-	-	-	-	-

Height (mm)	Width (mm)	Thickness (mm)				
50	50	1.2	1.5	2.0	2.5	3.0
50	100	1.2	1.5	2.0	2.5	3.0
50	150	1.2	1.5	2.0	2.5	3.0
50	300	1.2	1.5	2.0	2.5	3.0
50	450	-	1.5	2.0	2.5	3.0
50	600	-	1.5	2.0	2.5	3.0
50	750	-	-	2.0	2.5	3.0
50	900	-	-	2.0	2.5	3.0

Height (mm)	Width (mm)	Thickness (mm)				
100	100	1.2	1.5	2.0	2.5	3.0
100	150	1.2	1.5	2.0	2.5	3.0
100	300	1.2	1.5	2.0	2.5	3.0
100	450	-	1.5	2.0	2.5	3.0
100	600	-	1.5	2.0	2.5	3.0
100	750	-	-	2.0	2.5	3.0
100	900	-	-	2.0	2.5	3.0
-	-	-	-	-	-	-

Note:

1. Above all Sizes are standard, Tailor-made sizes can be manufactured.
2. For Product code please refer page No xx

Perforated Tray Accessories- (PCTA)

NOMENCLATURE

PCT	HB00	200	025	1.0	MS	HD	R01			
I	II	III	IV	V	VI	VII	VIII			

I. Basic Designation

PCTA - Perforated Cable Tray

II. Profile Type

- HB - Horizontal bend
- VIB - Vertical Inside bend
- VOB - Vertical Outside Bend
- REDL - Reducer Left
- REDR - Reducer Right
- REDC - Reducer Center
- RTEE - Regular tee
- VTEE - Vertical tee
- UTEE - Unequal tee
- CR - Crossed

III. Width

- 050 - 50mm
- 100 - 100mm
- 150 - 150mm
- 200 - 200mm
- 300 - 300mm
- 450 - 450mm
- 600 - 600mm
- 750 - 750mm
- 900 - 900mm

IV. Height

- 020 - 20mm
- 025 - 25mm
- 035 - 35mm
- 050 - 50mm
- 075 - 75mm
- 100 - 100mm
- 125 - 125mm
- 150 - 150mm
- 200 - 200mm

V. Thickness

- 1.5 - 1.5mm
- 2.0 - 2.0mm
- 2.5 - 2.5mm
- 3.0 - 3.0mm

VI. Material

- MS - Mild Steel
- S4 - Stainless Steel 304
- PG - Pre-Galvanized
- S6 - Stainless Steel 316
- AL - Aluminium

VII. Finish

- HD - Hot-Dip Galvanization
- PC - Powder coated
- PP - Pickling & Passivation
- PT - Painted
- SC - Self Colour

VIII. Radius

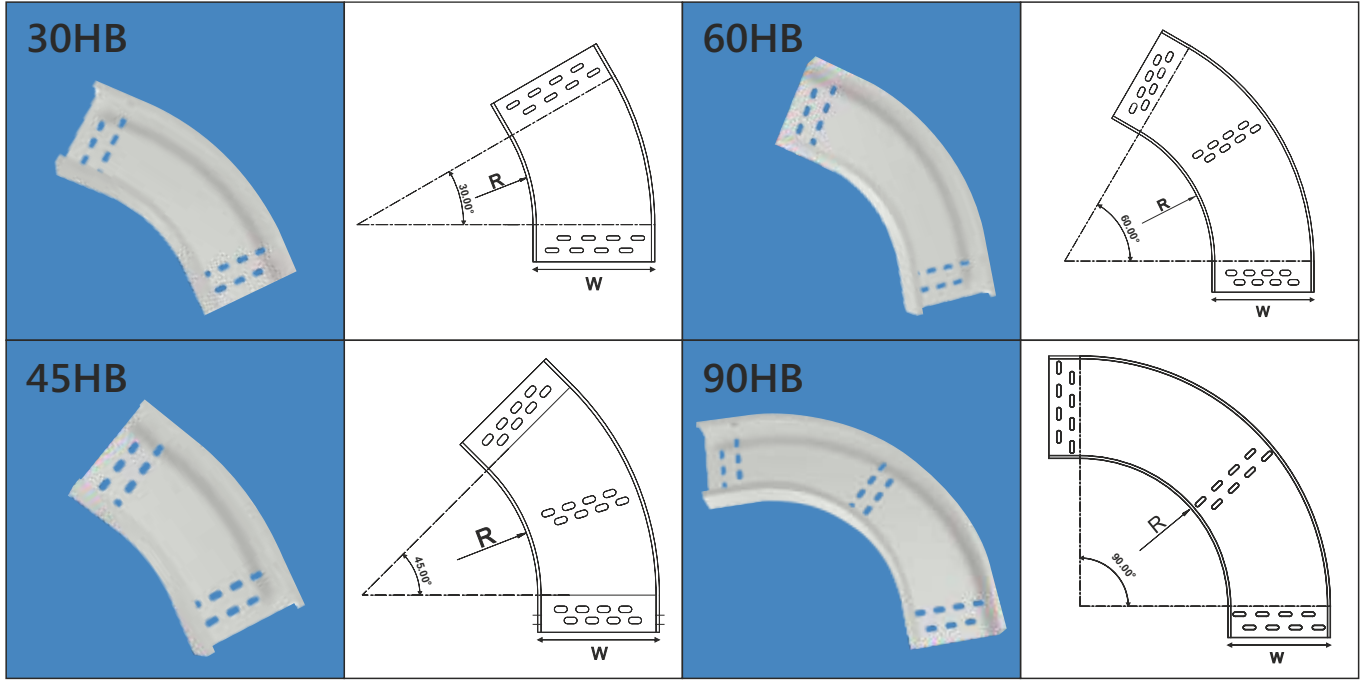
- R01 - 150mm radius
- R03 - 300mm radius
- R04 - 450mm radius
- R06 - 600mm radius
- R09 - 900mm radius
- R12 - 1200mm radius
- NR - Non-Radial

Perforated Tray Accessories - (PCTA)

Horizontal Bend (Radial)

Type of Tray	Accessory Type	Width	Height	Thk	Material	Finish	Bend Type
PCTA	30HB	Please refer below table			MS	HD	R01
	45HB				PG	PT	R03
	60HB				AL	PC	R04
	90HB				S4	SC	R06
					S6	PP	R09
							R12

FOR Example:PCTA-HB30-050-025-2.0-MS-HD-R03



Height (mm)	Width (mm)	Thickness (mm)			
25	50	1.5	2.0	2.5	3.0
25	100	1.5	2.0	2.5	3.0
25	150	1.5	2.0	2.5	3.0
25	300	1.5	2.0	2.5	3.0
25	450	1.5	2.0	2.5	3.0
25	600	1.5	2.0	2.5	3.0
25	750	-	2.0	2.5	3.0
25	900	-	2.0	2.5	3.0

Height (mm)	Width (mm)	Thickness (mm)			
75	100	1.5	2.0	2.5	3.0
75	150	1.5	2.0	2.5	3.0
75	300	1.5	2.0	2.5	3.0
75	450	1.5	2.0	2.5	3.0
75	600	1.5	2.0	2.5	3.0
75	750	-	2.0	2.5	3.0
75	900	-	2.0	2.5	3.0
-	-	-	-	-	-

Height (mm)	Width (mm)	Thickness (mm)			
50	50	1.5	2.0	2.5	3.0
50	100	1.5	2.0	2.5	3.0
50	150	1.5	2.0	2.5	3.0
50	300	1.5	2.0	2.5	3.0
50	450	1.5	2.0	2.5	3.0
50	600	1.5	2.0	2.5	3.0
50	750	-	2.0	2.5	3.0
50	900	-	2.0	2.5	3.0

Height (mm)	Width (mm)	Thickness (mm)			
100	100	1.5	2.0	2.5	3.0
100	150	1.5	2.0	2.5	3.0
100	300	1.5	2.0	2.5	3.0
100	450	1.5	2.0	2.5	3.0
100	600	1.5	2.0	2.5	3.0
100	750	-	2.0	2.5	3.0
100	900	-	2.0	2.5	3.0
-	-	-	-	-	-

Note:

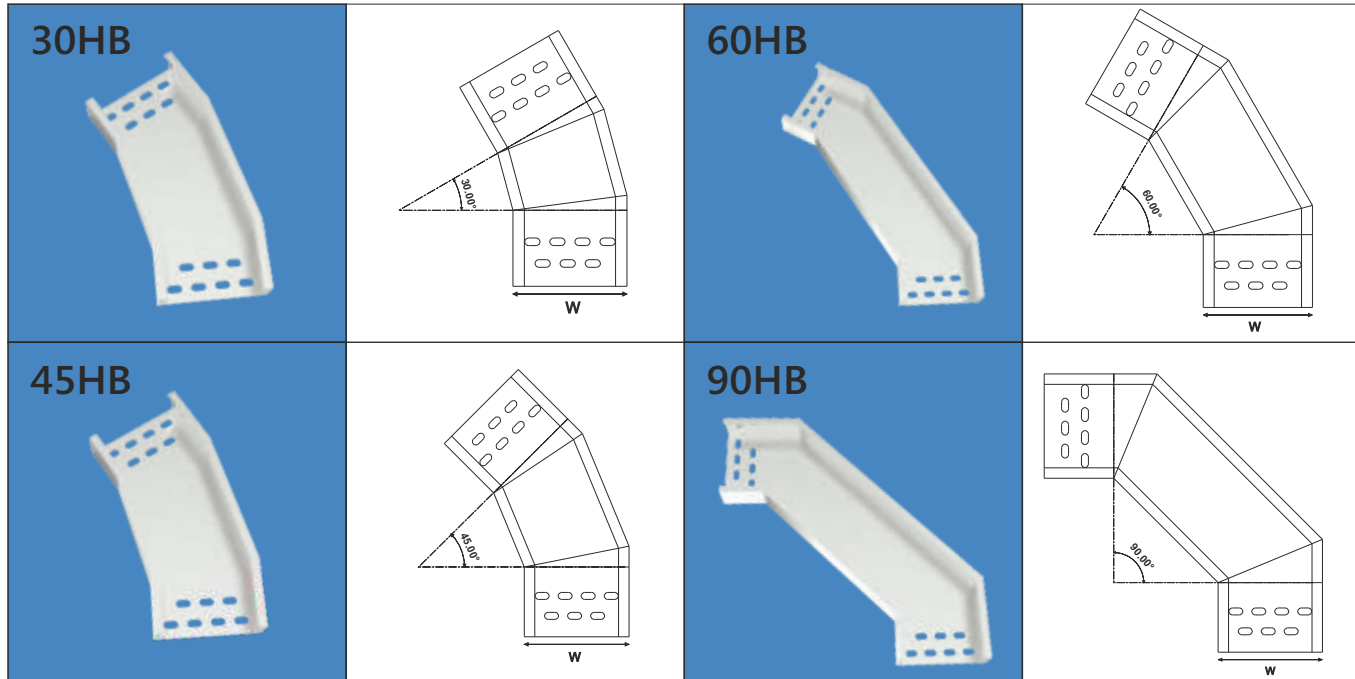
1. Above all Sizes are standard, Tailor-made sizes can be manufactured.
2. For Product code please refer page No xx

Perforated Tray Accessories - (PCTA)

Horizontal Bend (Non-Radial)

Type of Tray	Accessory Type	Width	Height	Thk	Material	Finish	Bend Type
PCTA	30HB	Please refer below table			MS	HD	NR
	45HB				PG	PT	
	60HB				AL	PC	
	90HB				S4	SC	
					S6	PP	

FOR Example:PCTA-30HB-050-025-2.0-MS-HD-NR



Height (mm)	Width (mm)	Thickness (mm)			
25	50	1.5	2.0	2.5	3.0
25	100	1.5	2.0	2.5	3.0
25	150	1.5	2.0	2.5	3.0
25	300	1.5	2.0	2.5	3.0
25	450	1.5	2.0	2.5	3.0
25	600	1.5	2.0	2.5	3.0
25	750	-	2.0	2.5	3.0
25	900	-	2.0	2.5	3.0

Height (mm)	Width (mm)	Thickness (mm)			
75	100	1.5	2.0	2.5	3.0
75	150	1.5	2.0	2.5	3.0
75	300	1.5	2.0	2.5	3.0
75	450	1.5	2.0	2.5	3.0
75	600	1.5	2.0	2.5	3.0
75	750	-	2.0	2.5	3.0
75	900	-	2.0	2.5	3.0
-	-	-	-	-	-

Height (mm)	Width (mm)	Thickness (mm)			
50	50	1.5	2.0	2.5	3.0
50	100	1.5	2.0	2.5	3.0
50	150	1.5	2.0	2.5	3.0
50	300	1.5	2.0	2.5	3.0
50	450	1.5	2.0	2.5	3.0
50	600	1.5	2.0	2.5	3.0
50	750	-	2.0	2.5	3.0
50	900	-	2.0	2.5	3.0

Height (mm)	Width (mm)	Thickness (mm)			
100	100	1.5	2.0	2.5	3.0
100	150	1.5	2.0	2.5	3.0
100	300	1.5	2.0	2.5	3.0
100	450	1.5	2.0	2.5	3.0
100	600	1.5	2.0	2.5	3.0
100	750	-	2.0	2.5	3.0
100	900	-	2.0	2.5	3.0
-	-	-	-	-	-

Note:

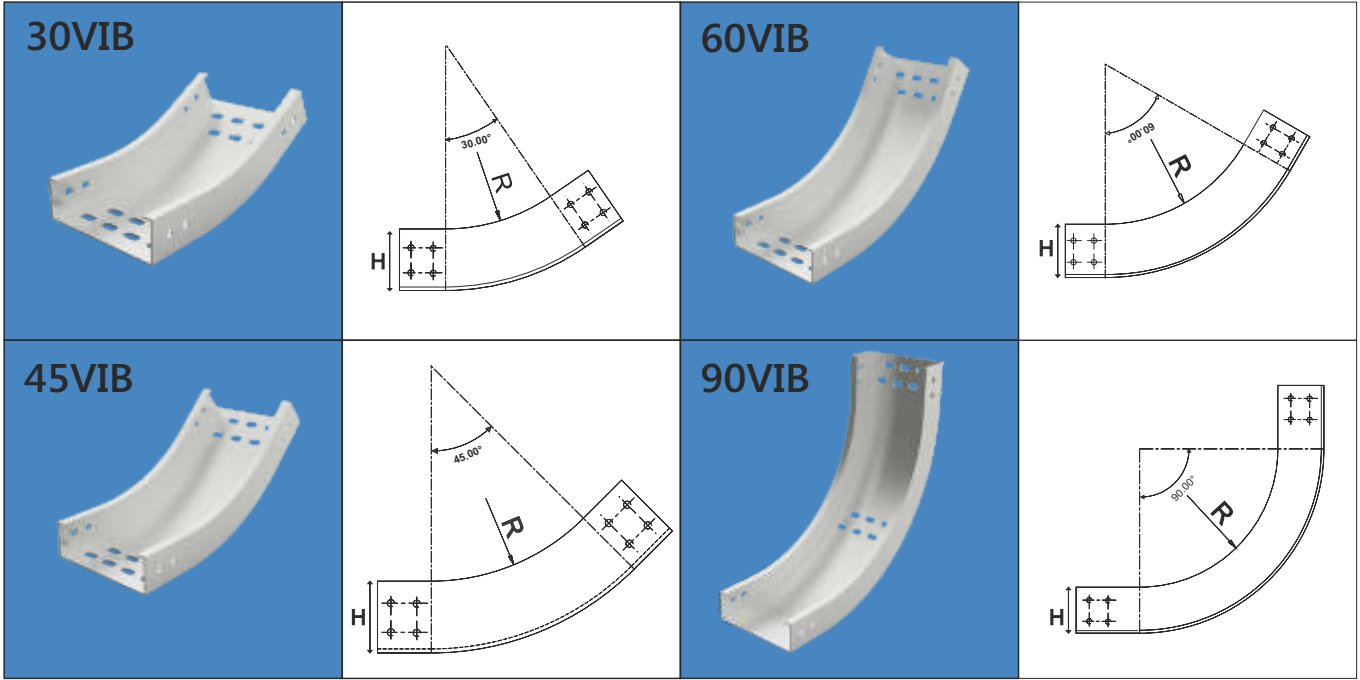
1. Above all Sizes are standard, Tailor-made sizes can be manufactured.
2. For Product code please refer page No xx

Perforated Tray Accessories - (PCTA)

Vertical Inside Bend (Radial)

Type of Tray	Accessory Type	Width	Height	Thk	Material	Finish	Bend Type
PCTA	30VIB	Please refer below table			MS	BK	R01
	45VIB				PG	HD	R03
	60VIB				AL	PT	R04
	90VIB				S4	PC	R06
					S6	SC	R09
					PP	R12	

FOR Example:PCTA-30VIB-050-025-2.0-MS-HD-R03



Height (mm)	Width (mm)	Thickness (mm)			
25	50	1.5	2.0	2.5	3.0
25	100	1.5	2.0	2.5	3.0
25	150	1.5	2.0	2.5	3.0
25	300	1.5	2.0	2.5	3.0
25	450	1.5	2.0	2.5	3.0
25	600	1.5	2.0	2.5	3.0
25	750	-	2.0	2.5	3.0
25	900	-	2.0	2.5	3.0

Height (mm)	Width (mm)	Thickness (mm)			
75	100	1.5	2.0	2.5	3.0
75	150	1.5	2.0	2.5	3.0
75	300	1.5	2.0	2.5	3.0
75	450	1.5	2.0	2.5	3.0
75	600	1.5	2.0	2.5	3.0
75	750	-	2.0	2.5	3.0
75	900	-	2.0	2.5	3.0
-	-	-	-	-	-

Height (mm)	Width (mm)	Thickness (mm)			
50	50	1.5	2.0	2.5	3.0
50	100	1.5	2.0	2.5	3.0
50	150	1.5	2.0	2.5	3.0
50	300	1.5	2.0	2.5	3.0
50	450	1.5	2.0	2.5	3.0
50	600	1.5	2.0	2.5	3.0
50	750	-	2.0	2.5	3.0
50	900	-	2.0	2.5	3.0

Height (mm)	Width (mm)	Thickness (mm)			
100	100	1.5	2.0	2.5	3.0
100	150	1.5	2.0	2.5	3.0
100	300	1.5	2.0	2.5	3.0
100	450	1.5	2.0	2.5	3.0
100	600	1.5	2.0	2.5	3.0
100	750	-	2.0	2.5	3.0
100	900	-	2.0	2.5	3.0
-	-	-	-	-	-

Note:

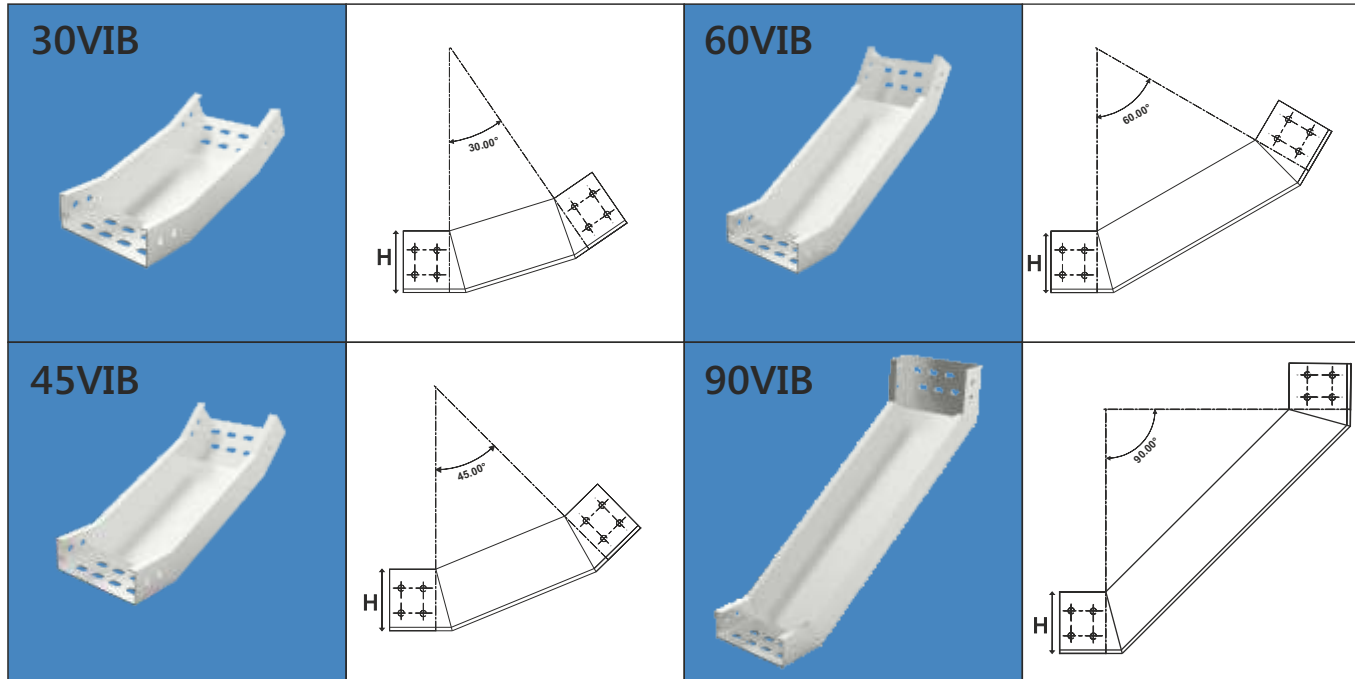
1. Above all Sizes are standard, Tailor-made sizes can be manufactured.
2. For Product code please refer page No xx

Perforated Tray Accessories - (PCTA)

Vertical Inside Bend (Non-Radial)

Type of Tray	Accessory Type	Width	Height	Thk	Material	Finish	Bend Type
PCTA	30VIB	Please refer below table			MS	BK	NR
	45VIB				PG	HD	
	60VIB				AL	PT	
	90VIB				S4	PC	
					S6	SC	
					PP		

FOR Example:PCT-30VIB-050-025-2.0-MS-HD-NR



Height (mm)	Width (mm)	Thickness (mm)			
25	50	1.5	2.0	2.5	3.0
25	100	1.5	2.0	2.5	3.0
25	150	1.5	2.0	2.5	3.0
25	300	1.5	2.0	2.5	3.0
25	450	1.5	2.0	2.5	3.0
25	600	1.5	2.0	2.5	3.0
25	750	-	2.0	2.5	3.0
25	900	-	2.0	2.5	3.0

Height (mm)	Width (mm)	Thickness (mm)			
75	100	1.5	2.0	2.5	3.0
75	150	1.5	2.0	2.5	3.0
75	300	1.5	2.0	2.5	3.0
75	450	1.5	2.0	2.5	3.0
75	600	1.5	2.0	2.5	3.0
75	750	-	2.0	2.5	3.0
75	900	-	2.0	2.5	3.0
-	-	-	-	-	-

Height (mm)	Width (mm)	Thickness (mm)			
50	50	1.5	2.0	2.5	3.0
50	100	1.5	2.0	2.5	3.0
50	150	1.5	2.0	2.5	3.0
50	300	1.5	2.0	2.5	3.0
50	450	1.5	2.0	2.5	3.0
50	600	1.5	2.0	2.5	3.0
50	750	-	2.0	2.5	3.0
50	900	-	2.0	2.5	3.0

Height (mm)	Width (mm)	Thickness (mm)			
100	100	1.5	2.0	2.5	3.0
100	150	1.5	2.0	2.5	3.0
100	300	1.5	2.0	2.5	3.0
100	450	1.5	2.0	2.5	3.0
100	600	1.5	2.0	2.5	3.0
100	750	-	2.0	2.5	3.0
100	900	-	2.0	2.5	3.0
-	-	-	-	-	-

Note:

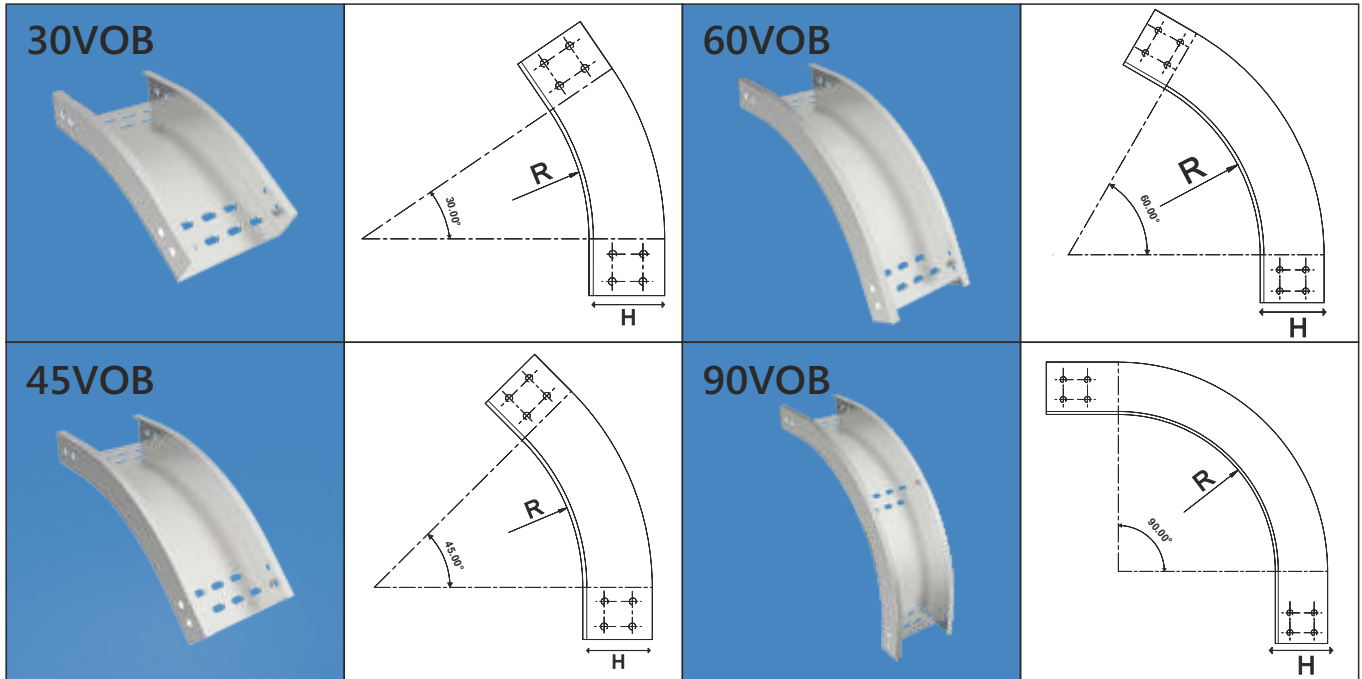
1. Above all Sizes are standard, Tailor-made sizes can be manufactured.
2. For Product code please refer page No xx

Perforated Tray Accessories - (PCTA)

Vertical Outside Bend (Radial)

Type of Tray	Accessory Type	Width	Height	Thk	Material	Finish	Bend Type
PCTA	30VOB	Please refer below table			MS	BK	R01
	45VOB				PG	HD	R03
	60VOB				AL	PT	R04
	90VOB				S4	PC	R06
					S6	SC	R09
					PP	R12	

FOR Example:PCTA-30VOB-050-025-2.0-MS-HD-R03



Height (mm)	Width (mm)	Thickness (mm)			
25	50	1.5	2.0	2.5	3.0
25	100	1.5	2.0	2.5	3.0
25	150	1.5	2.0	2.5	3.0
25	300	1.5	2.0	2.5	3.0
25	450	1.5	2.0	2.5	3.0
25	600	1.5	2.0	2.5	3.0
25	750	-	2.0	2.5	3.0
25	900	-	2.0	2.5	3.0

Height (mm)	Width (mm)	Thickness (mm)			
75	100	1.5	2.0	2.5	3.0
75	150	1.5	2.0	2.5	3.0
75	300	1.5	2.0	2.5	3.0
75	450	1.5	2.0	2.5	3.0
75	600	1.5	2.0	2.5	3.0
75	750	-	2.0	2.5	3.0
75	900	-	2.0	2.5	3.0
-	-	-	-	-	-

Height (mm)	Width (mm)	Thickness (mm)			
50	50	1.5	2.0	2.5	3.0
50	100	1.5	2.0	2.5	3.0
50	150	1.5	2.0	2.5	3.0
50	300	1.5	2.0	2.5	3.0
50	450	1.5	2.0	2.5	3.0
50	600	1.5	2.0	2.5	3.0
50	750	-	2.0	2.5	3.0
50	900	-	2.0	2.5	3.0

Height (mm)	Width (mm)	Thickness (mm)			
100	100	1.5	2.0	2.5	3.0
100	150	1.5	2.0	2.5	3.0
100	300	1.5	2.0	2.5	3.0
100	450	1.5	2.0	2.5	3.0
100	600	1.5	2.0	2.5	3.0
100	750	-	2.0	2.5	3.0
100	900	-	2.0	2.5	3.0
-	-	-	-	-	-

Note:

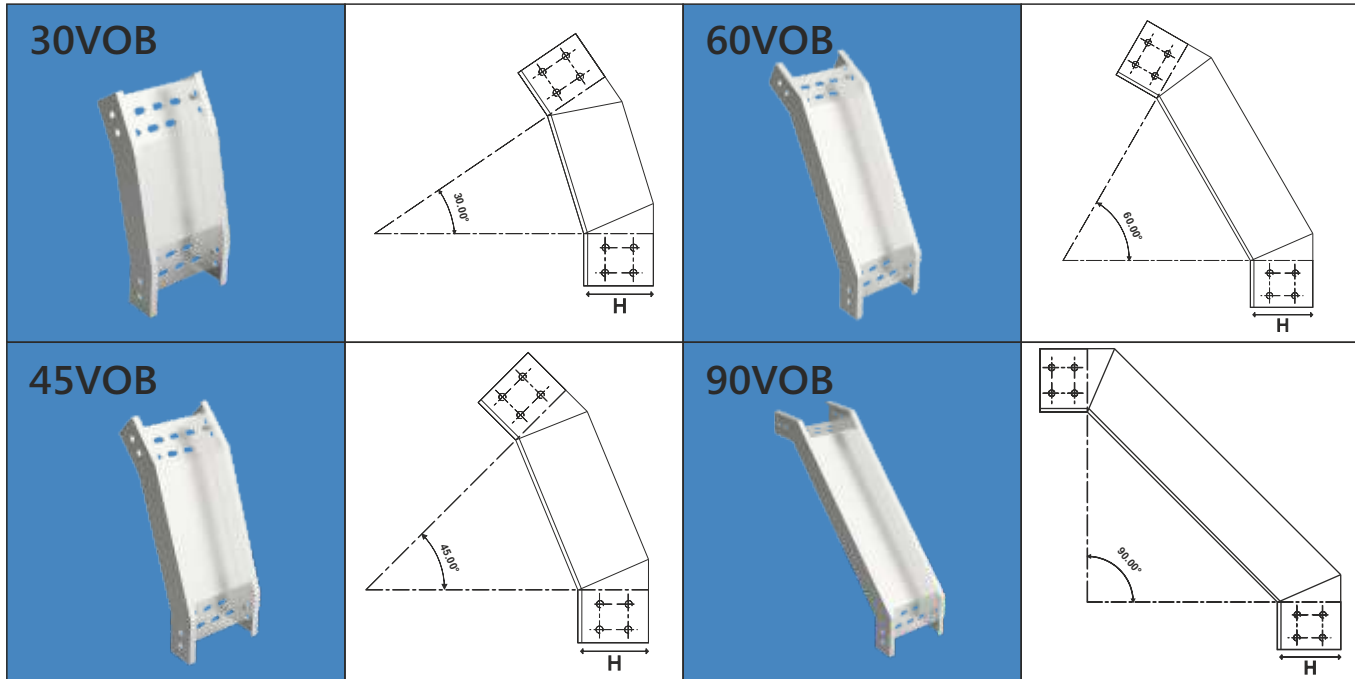
1. Above all Sizes are standard, Tailor-made sizes can be manufactured.
2. For Product code please refer page No xx

Perforated Tray Accessories - (PCTA)

Vertical Outside Bend (Non-Radial)

Type of Tray	Accessory Type	Width	Height	Thk	Material	Finish	Bend Type
PCTA	30VOB	Please refer below table			MS	BK	NR
	45VOB				PG	HD	
	60VOB				AL	PT	
	90VOB				S4	PC	
					S6	SC	
					PP		

FOR Example:PCTA-30VOB-050-025-2.0-MS-HD-NR



Height (mm)	Width (mm)	Thickness (mm)			
25	50	1.5	2.0	2.5	3.0
25	100	1.5	2.0	2.5	3.0
25	150	1.5	2.0	2.5	3.0
25	300	1.5	2.0	2.5	3.0
25	450	1.5	2.0	2.5	3.0
25	600	1.5	2.0	2.5	3.0
25	750	-	2.0	2.5	3.0
25	900	-	2.0	2.5	3.0

Height (mm)	Width (mm)	Thickness (mm)			
75	100	1.5	2.0	2.5	3.0
75	150	1.5	2.0	2.5	3.0
75	300	1.5	2.0	2.5	3.0
75	450	1.5	2.0	2.5	3.0
75	600	1.5	2.0	2.5	3.0
75	750	-	2.0	2.5	3.0
75	900	-	2.0	2.5	3.0
-	-	-	-	-	-

Height (mm)	Width (mm)	Thickness (mm)			
50	50	1.5	2.0	2.5	3.0
50	100	1.5	2.0	2.5	3.0
50	150	1.5	2.0	2.5	3.0
50	300	1.5	2.0	2.5	3.0
50	450	1.5	2.0	2.5	3.0
50	600	1.5	2.0	2.5	3.0
50	750	-	2.0	2.5	3.0
50	900	-	2.0	2.5	3.0

Height (mm)	Width (mm)	Thickness (mm)			
100	100	1.5	2.0	2.5	3.0
100	150	1.5	2.0	2.5	3.0
100	300	1.5	2.0	2.5	3.0
100	450	1.5	2.0	2.5	3.0
100	600	1.5	2.0	2.5	3.0
100	750	-	2.0	2.5	3.0
100	900	-	2.0	2.5	3.0
-	-	-	-	-	-

Note:

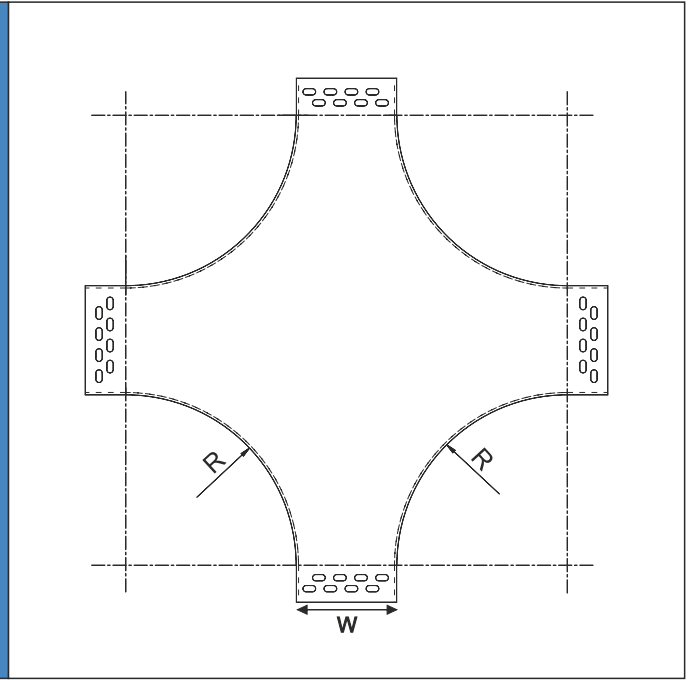
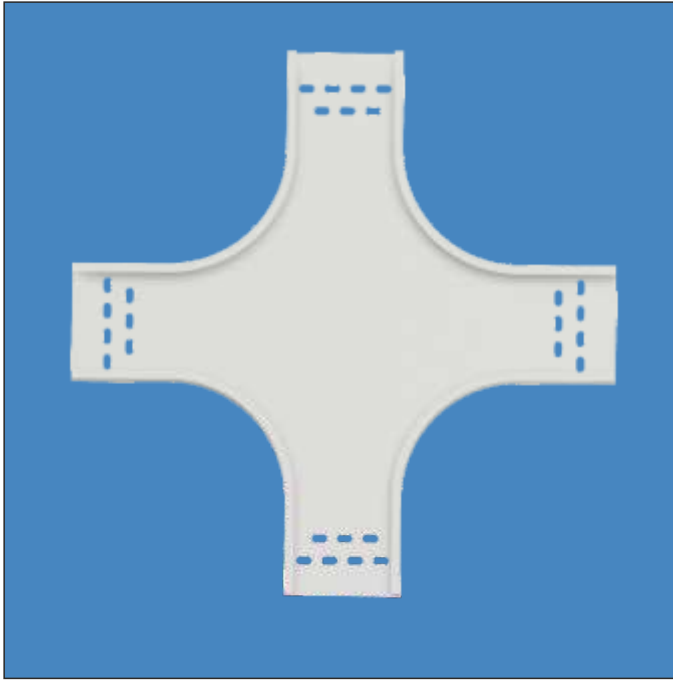
1. Above all Sizes are standard, Tailor-made sizes can be manufactured.
2. For Product code please refer page No xx

Perforated Tray Accessories - (PCTA)

Horizontal Cross (Radial)

Type of Tray	Accessory Type	Width	Height	Thk	Material	Finish	Bend Type
PCTA	CR	Please refer below table			MS	BK	R01
					PG	HD	R03
					AL	PT	R04
					S4	PC	R06
					S6	SC	R09
						PP	R12

FOR Example:PCTA-CR-050-025-2.0-MS-HD-R03



Height (mm)	Width (mm)	Thickness (mm)			
25	50	1.5	2.0	2.5	3.0
25	100	1.5	2.0	2.5	3.0
25	150	1.5	2.0	2.5	3.0
25	300	1.5	2.0	2.5	3.0
25	450	1.5	2.0	2.5	3.0
25	600	1.5	2.0	2.5	3.0
25	750	-	2.0	2.5	3.0
25	900	-	2.0	2.5	3.0

Height (mm)	Width (mm)	Thickness (mm)			
75	100	1.5	2.0	2.5	3.0
75	150	1.5	2.0	2.5	3.0
75	300	1.5	2.0	2.5	3.0
75	450	1.5	2.0	2.5	3.0
75	600	1.5	2.0	2.5	3.0
75	750	-	2.0	2.5	3.0
75	900	-	2.0	2.5	3.0
-	-	-	-	-	-

Height (mm)	Width (mm)	Thickness (mm)			
50	50	1.5	2.0	2.5	3.0
50	100	1.5	2.0	2.5	3.0
50	150	1.5	2.0	2.5	3.0
50	300	1.5	2.0	2.5	3.0
50	450	1.5	2.0	2.5	3.0
50	600	1.5	2.0	2.5	3.0
50	750	-	2.0	2.5	3.0
50	900	-	2.0	2.5	3.0

Height (mm)	Width (mm)	Thickness (mm)			
100	100	1.5	2.0	2.5	3.0
100	150	1.5	2.0	2.5	3.0
100	300	1.5	2.0	2.5	3.0
100	450	1.5	2.0	2.5	3.0
100	600	1.5	2.0	2.5	3.0
100	750	-	2.0	2.5	3.0
100	900	-	2.0	2.5	3.0
-	-	-	-	-	-

Note:

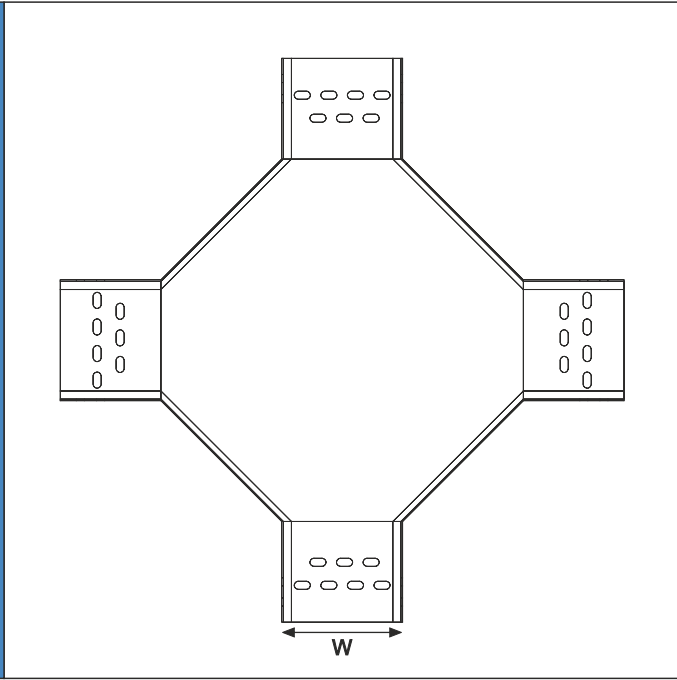
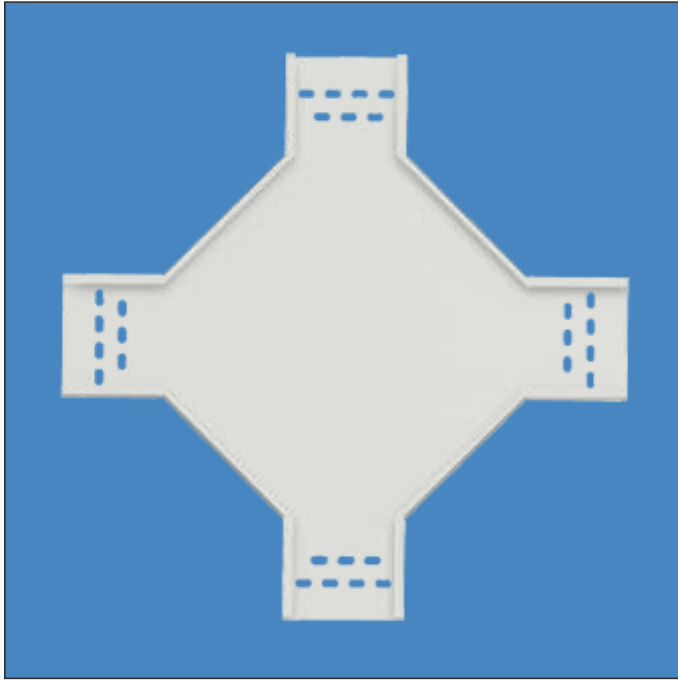
1. Above all Sizes are standard, Tailor-made sizes can be manufactured.
2. For Product code please refer page No xx

Perforated Tray Accessories - (PCT)

Horizontal Cross (Non-Radial)

Type of Tray	Accessory Type	Width	Height	Thk	Material	Finish	Bend Type
PCTA	CR	Please refer below table			MS	BK	NR
					PG	HD	
					AL	PT	
					S4	PC	
					S6	SC	
					PP		

FOR Example:PCTA-CR-050-025-2.0-MS-HD-NR



Height (mm)	Width (mm)	Thickness (mm)			
25	50	1.5	2.0	2.5	3.0
25	100	1.5	2.0	2.5	3.0
25	150	1.5	2.0	2.5	3.0
25	300	1.5	2.0	2.5	3.0
25	450	1.5	2.0	2.5	3.0
25	600	1.5	2.0	2.5	3.0
25	750	-	2.0	2.5	3.0
25	900	-	2.0	2.5	3.0

Height (mm)	Width (mm)	Thickness (mm)			
75	100	1.5	2.0	2.5	3.0
75	150	1.5	2.0	2.5	3.0
75	300	1.5	2.0	2.5	3.0
75	450	1.5	2.0	2.5	3.0
75	600	1.5	2.0	2.5	3.0
75	750	-	2.0	2.5	3.0
75	900	-	2.0	2.5	3.0
-	-	-	-	-	-

Height (mm)	Width (mm)	Thickness (mm)			
50	50	1.5	2.0	2.5	3.0
50	100	1.5	2.0	2.5	3.0
50	150	1.5	2.0	2.5	3.0
50	300	1.5	2.0	2.5	3.0
50	450	1.5	2.0	2.5	3.0
50	600	1.5	2.0	2.5	3.0
50	750	-	2.0	2.5	3.0
50	900	-	2.0	2.5	3.0

Height (mm)	Width (mm)	Thickness (mm)			
100	100	1.5	2.0	2.5	3.0
100	150	1.5	2.0	2.5	3.0
100	300	1.5	2.0	2.5	3.0
100	450	1.5	2.0	2.5	3.0
100	600	1.5	2.0	2.5	3.0
100	750	-	2.0	2.5	3.0
100	900	-	2.0	2.5	3.0
-	-	-	-	-	-

Note:

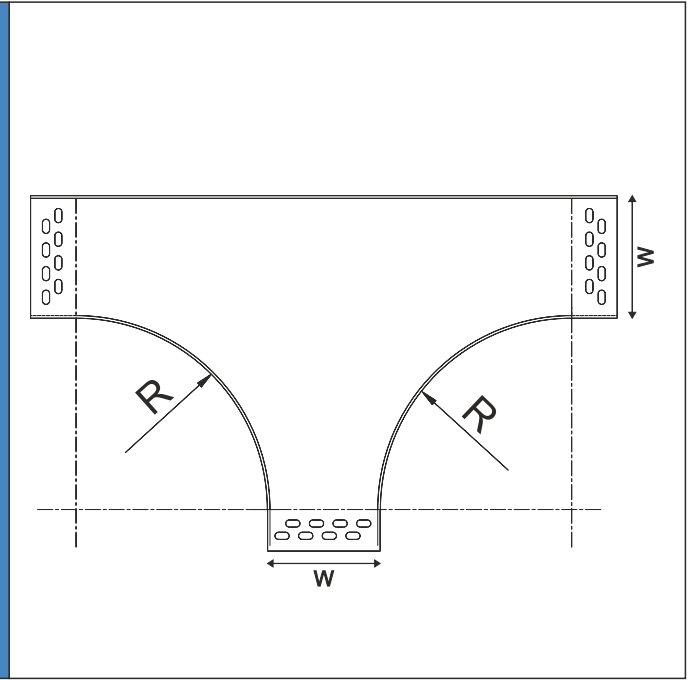
- Above all Sizes are standard, Tailor-made sizes can be manufactured.
- For Product code please refer page No xx

Perforated Tray Accessories - (PCT)

Horizontal Tee (Radial)

Type of Tray	Accessory Type	Width	Height	Thk	Material	Finish	Bend Type
PCTA	HTEE	Please refer below table			MS	BK	R01
					PG	HD	R03
					AL	PT	R04
					S4	PC	R06
					S6	SC	R09
						PP	R12

FOR Example:PCTA-HTEE-050-025-2.0-600-MS-HD-R03



Height (mm)	Width (mm)	Thickness (mm)			
25	50	1.5	2.0	2.5	3.0
25	100	1.5	2.0	2.5	3.0
25	150	1.5	2.0	2.5	3.0
25	300	1.5	2.0	2.5	3.0
25	450	1.5	2.0	2.5	3.0
25	600	1.5	2.0	2.5	3.0
25	750	-	2.0	2.5	3.0
25	900	-	2.0	2.5	3.0

Height (mm)	Width (mm)	Thickness (mm)			
75	100	1.5	2.0	2.5	3.0
75	150	1.5	2.0	2.5	3.0
75	300	1.5	2.0	2.5	3.0
75	450	1.5	2.0	2.5	3.0
75	600	1.5	2.0	2.5	3.0
75	750	-	2.0	2.5	3.0
75	900	-	2.0	2.5	3.0
-	-	-	-	-	-

Height (mm)	Width (mm)	Thickness (mm)			
50	50	1.5	2.0	2.5	3.0
50	100	1.5	2.0	2.5	3.0
50	150	1.5	2.0	2.5	3.0
50	300	1.5	2.0	2.5	3.0
50	450	1.5	2.0	2.5	3.0
50	600	1.5	2.0	2.5	3.0
50	750	-	2.0	2.5	3.0
50	900	-	2.0	2.5	3.0

Height (mm)	Width (mm)	Thickness (mm)			
100	100	1.5	2.0	2.5	3.0
100	150	1.5	2.0	2.5	3.0
100	300	1.5	2.0	2.5	3.0
100	450	1.5	2.0	2.5	3.0
100	600	1.5	2.0	2.5	3.0
100	750	-	2.0	2.5	3.0
100	900	-	2.0	2.5	3.0
-	-	-	-	-	-

Note:

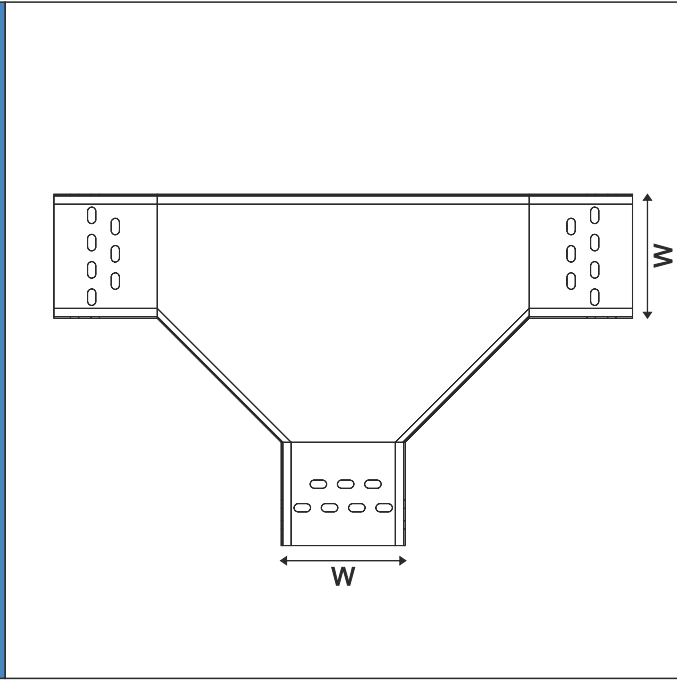
1. Above all Sizes are standard, Tailor-made sizes can be manufactured.
2. For Product code please refer page No xx

Perforated Tray Accessories - (PCTA)

Horizontal Tee (Non-Radial)

Type of Tray	Accessory Type	Width	Height	Thk	Material	Finish	Bend Type
PCTA	HTEE	Please refer below table			MS	BK	NR
					PG	HD	
					AL	PT	
					S4	PC	
					S6	SC	
					PP		

FOR Example:PCTA-HTEE-050-025-2.0-600-MS-HD-NR



Height (mm)	Width (mm)	Thickness (mm)			
25	50	1.5	2.0	2.5	3.0
25	100	1.5	2.0	2.5	3.0
25	150	1.5	2.0	2.5	3.0
25	300	1.5	2.0	2.5	3.0
25	450	1.5	2.0	2.5	3.0
25	600	1.5	2.0	2.5	3.0
25	750	-	2.0	2.5	3.0
25	900	-	2.0	2.5	3.0

Height (mm)	Width (mm)	Thickness (mm)			
75	100	1.5	2.0	2.5	3.0
75	150	1.5	2.0	2.5	3.0
75	300	1.5	2.0	2.5	3.0
75	450	1.5	2.0	2.5	3.0
75	600	1.5	2.0	2.5	3.0
75	750	-	2.0	2.5	3.0
75	900	-	2.0	2.5	3.0
-	-	-	-	-	-

Height (mm)	Width (mm)	Thickness (mm)			
50	50	1.5	2.0	2.5	3.0
50	100	1.5	2.0	2.5	3.0
50	150	1.5	2.0	2.5	3.0
50	300	1.5	2.0	2.5	3.0
50	450	1.5	2.0	2.5	3.0
50	600	1.5	2.0	2.5	3.0
50	750	-	2.0	2.5	3.0
50	900	-	2.0	2.5	3.0

Height (mm)	Width (mm)	Thickness (mm)			
100	100	1.5	2.0	2.5	3.0
100	150	1.5	2.0	2.5	3.0
100	300	1.5	2.0	2.5	3.0
100	450	1.5	2.0	2.5	3.0
100	600	1.5	2.0	2.5	3.0
100	750	-	2.0	2.5	3.0
100	900	-	2.0	2.5	3.0
-	-	-	-	-	-

Note:

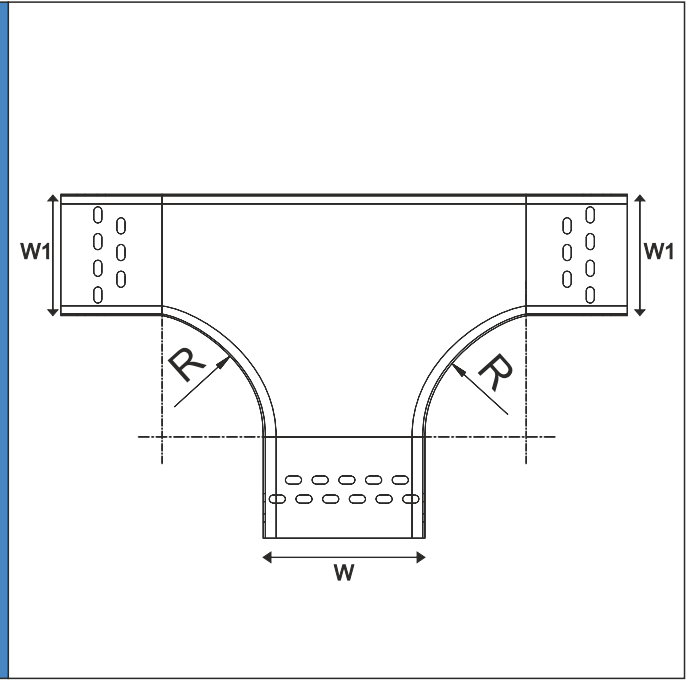
- Above all Sizes are standard, Tailor-made sizes can be manufactured.
- For Product code please refer page No xx

Perforated Tray Accessories - (PCT)

Horizontal Tee Unequal (Radial)

Type of Tray	Accessory Type	Width	Height	Thk	Material	Finish	Bend Type
PCTA	UTEE	Please refer below table			MS	BK	R01
					PG	HD	R03
					AL	PT	R04
					S4	PC	R06
					S6	SC	R09
						PP	R12

FOR Example:PCTA-UTEE-050-025-2.0-600-MS-HD-R03



Height (mm)	Width (mm)	Thickness (mm)			
25	50	1.5	2.0	2.5	3.0
25	100	1.5	2.0	2.5	3.0
25	150	1.5	2.0	2.5	3.0
25	300	1.5	2.0	2.5	3.0
25	450	1.5	2.0	2.5	3.0
25	600	1.5	2.0	2.5	3.0
25	750	-	2.0	2.5	3.0
25	900	-	2.0	2.5	3.0

Height (mm)	Width (mm)	Thickness (mm)			
75	100	1.5	2.0	2.5	3.0
75	150	1.5	2.0	2.5	3.0
75	300	1.5	2.0	2.5	3.0
75	450	1.5	2.0	2.5	3.0
75	600	1.5	2.0	2.5	3.0
75	750	-	2.0	2.5	3.0
75	900	-	2.0	2.5	3.0
-	-	-	-	-	-

Height (mm)	Width (mm)	Thickness (mm)			
50	50	1.5	2.0	2.5	3.0
50	100	1.5	2.0	2.5	3.0
50	150	1.5	2.0	2.5	3.0
50	300	1.5	2.0	2.5	3.0
50	450	1.5	2.0	2.5	3.0
50	600	1.5	2.0	2.5	3.0
50	750	-	2.0	2.5	3.0
50	900	-	2.0	2.5	3.0

Height (mm)	Width (mm)	Thickness (mm)			
100	100	1.5	2.0	2.5	3.0
100	150	1.5	2.0	2.5	3.0
100	300	1.5	2.0	2.5	3.0
100	450	1.5	2.0	2.5	3.0
100	600	1.5	2.0	2.5	3.0
100	750	-	2.0	2.5	3.0
100	900	-	2.0	2.5	3.0
-	-	-	-	-	-

Note:

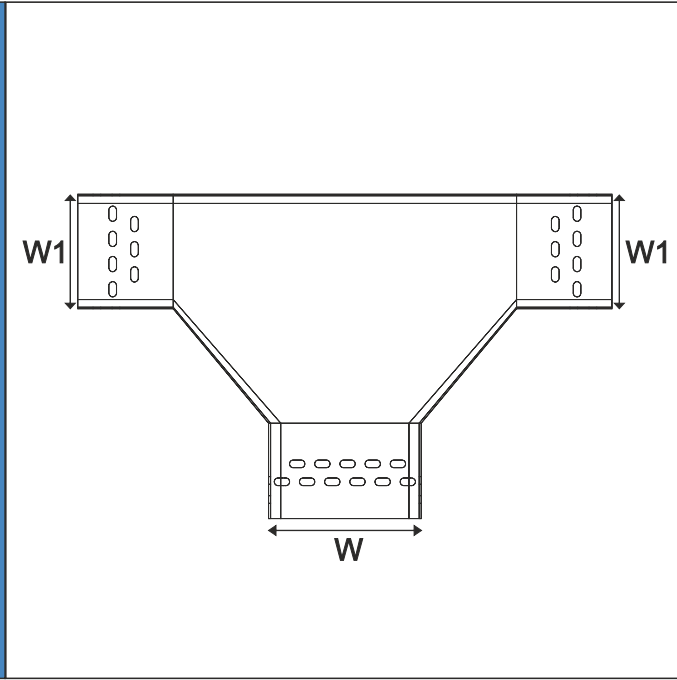
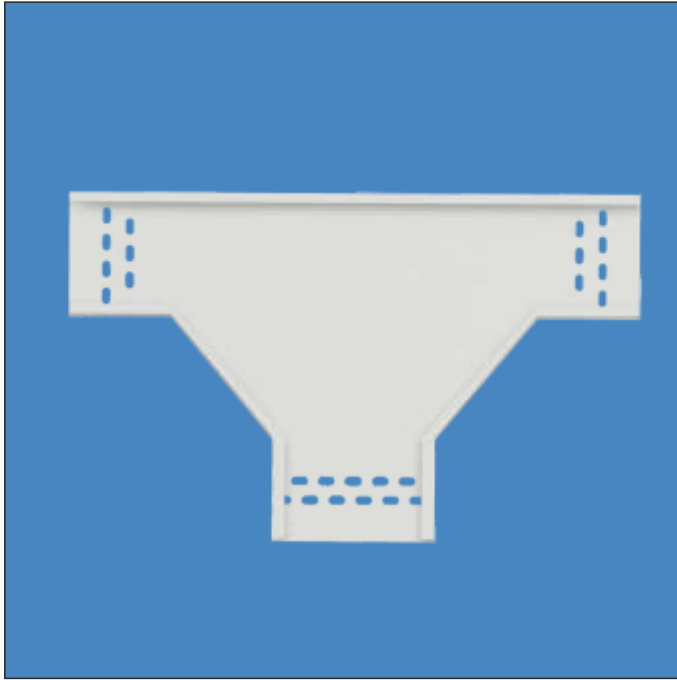
1. Above all Sizes are standard, Tailor-made sizes can be manufactured.
2. For Product code please refer page No xx

Perforated Tray Accessories - (PCTA)

Horizontal Tee Unequal (Non-Radial)

Type of Tray	Accessory Type	Width	Height	Thk	Material	Finish	Bend Type
PCTA	UTEE	Please refer below table			MS	BK	NR
					PG	HD	
					AL	PT	
					S4	PC	
					S6	SC	
					PP		

FOR Example: PCTA-UTEE-050-025-2.0-600-MS-HD-NR



Height (mm)	Width (mm)	Thickness (mm)			
25	50	1.5	2.0	2.5	3.0
25	100	1.5	2.0	2.5	3.0
25	150	1.5	2.0	2.5	3.0
25	300	1.5	2.0	2.5	3.0
25	450	1.5	2.0	2.5	3.0
25	600	1.5	2.0	2.5	3.0
25	750	-	2.0	2.5	3.0
25	900	-	2.0	2.5	3.0

Height (mm)	Width (mm)	Thickness (mm)			
75	100	1.5	2.0	2.5	3.0
75	150	1.5	2.0	2.5	3.0
75	300	1.5	2.0	2.5	3.0
75	450	1.5	2.0	2.5	3.0
75	600	1.5	2.0	2.5	3.0
75	750	-	2.0	2.5	3.0
75	900	-	2.0	2.5	3.0
-	-	-	-	-	-

Height (mm)	Width (mm)	Thickness (mm)			
50	50	1.5	2.0	2.5	3.0
50	100	1.5	2.0	2.5	3.0
50	150	1.5	2.0	2.5	3.0
50	300	1.5	2.0	2.5	3.0
50	450	1.5	2.0	2.5	3.0
50	600	1.5	2.0	2.5	3.0
50	750	-	2.0	2.5	3.0
50	900	-	2.0	2.5	3.0

Height (mm)	Width (mm)	Thickness (mm)			
100	100	1.5	2.0	2.5	3.0
100	150	1.5	2.0	2.5	3.0
100	300	1.5	2.0	2.5	3.0
100	450	1.5	2.0	2.5	3.0
100	600	1.5	2.0	2.5	3.0
100	750	-	2.0	2.5	3.0
100	900	-	2.0	2.5	3.0
-	-	-	-	-	-

Note:

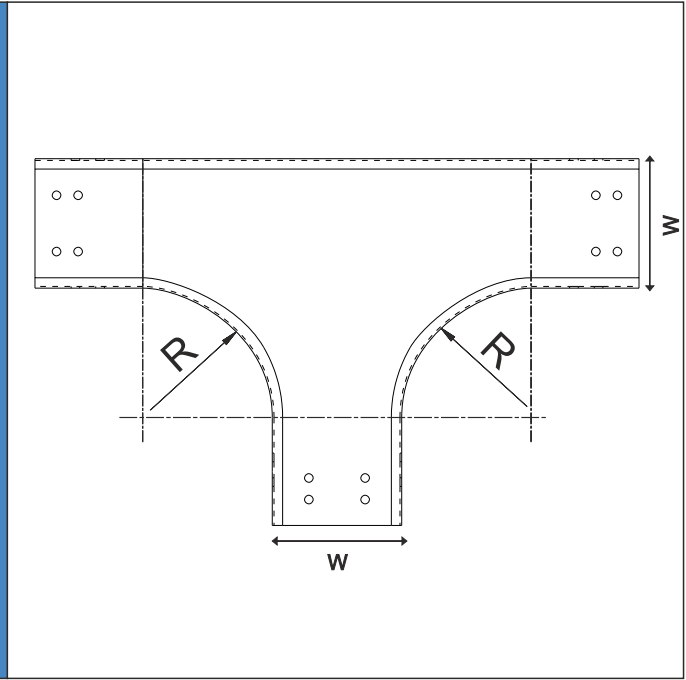
1. Above all Sizes are standard, Tailor-made sizes can be manufactured.
2. For Product code please refer page No xx

Perforated Tray Accessories - (PCT)

Vertical Tee (Radial)

Type of Tray	Accessory Type	Width	Height	Thk	Material	Finish	Bend Type
PCTA	VTEE	Please refer below table			MS	BK	R01
					PG	HD	R03
					AL	PT	R04
					S4	PC	R06
					S6	SC	R09
						PP	R12

FOR Example:PCT-VTEE-050-025-2.0-600-MS-HD-R03



Height (mm)	Width (mm)	Thickness (mm)			
25	50	1.5	2.0	2.5	3.0
25	100	1.5	2.0	2.5	3.0
25	150	1.5	2.0	2.5	3.0
25	300	1.5	2.0	2.5	3.0
25	450	1.5	2.0	2.5	3.0
25	600	1.5	2.0	2.5	3.0
25	750	-	2.0	2.5	3.0
25	900	-	2.0	2.5	3.0

Height (mm)	Width (mm)	Thickness (mm)			
75	100	1.5	2.0	2.5	3.0
75	150	1.5	2.0	2.5	3.0
75	300	1.5	2.0	2.5	3.0
75	450	1.5	2.0	2.5	3.0
75	600	1.5	2.0	2.5	3.0
75	750	-	2.0	2.5	3.0
75	900	-	2.0	2.5	3.0
-	-	-	-	-	-

Height (mm)	Width (mm)	Thickness (mm)			
50	50	1.5	2.0	2.5	3.0
50	100	1.5	2.0	2.5	3.0
50	150	1.5	2.0	2.5	3.0
50	300	1.5	2.0	2.5	3.0
50	450	1.5	2.0	2.5	3.0
50	600	1.5	2.0	2.5	3.0
50	750	-	2.0	2.5	3.0
50	900	-	2.0	2.5	3.0

Height (mm)	Width (mm)	Thickness (mm)			
100	100	1.5	2.0	2.5	3.0
100	150	1.5	2.0	2.5	3.0
100	300	1.5	2.0	2.5	3.0
100	450	1.5	2.0	2.5	3.0
100	600	1.5	2.0	2.5	3.0
100	750	-	2.0	2.5	3.0
100	900	-	2.0	2.5	3.0
-	-	-	-	-	-

Note:

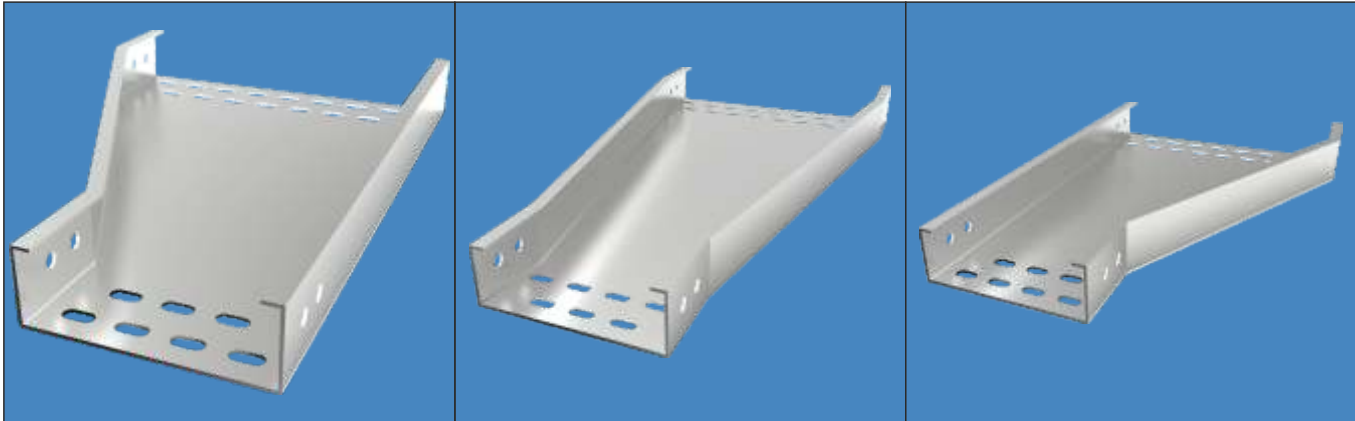
1. Above all Sizes are standard, Tailor-made sizes can be manufactured.
2. For Product code please refer page No xx

Perforated Tray Accessories - (PCTA)

Reducer

Type of Tray	Profile	Width	Height	Thk	Material	Finish
PCTA	REDI	Please refer below table			MS	HD
	REDR				PG	PT
	REDC				AL	PC
					S4	SC
					S6	PP

FOR Example:PCT-REDI-050-025-2.0-600-MS-HD- NR



Height (mm)	Width (mm)	Width W2 (mm)								Thickness (mm)			
25	50	50	-	-	-	-	-	-	-	1.5	2.0	2.5	3.0
25	100	50	100	-	-	-	-	-	-	1.5	2.0	2.5	3.0
25	150	50	100	150	-	-	-	-	-	1.5	2.0	2.5	3.0
25	300	50	100	150	200	-	-	-	-	1.5	2.0	2.5	3.0
25	450	50	100	150	200	300	-	-	-	1.5	2.0	2.5	3.0
25	600	50	100	150	200	300	450	-	-	1.5	2.0	2.5	3.0
25	750	50	100	150	200	300	450	600	-	-	2.0	2.5	3.0
25	900	50	100	150	200	300	450	600	750	-	2.0	2.5	3.0

Height (mm)	Width (mm)	Width W2 (mm)								Thickness (mm)			
50	100	50	100	-	-	-	-	-	-	1.5	2.0	2.5	3.0
50	150	50	100	150	-	-	-	-	-	1.5	2.0	2.5	3.0
50	300	50	100	150	200	-	-	-	-	1.5	2.0	2.5	3.0
50	450	50	100	150	200	300	-	-	-	1.5	2.0	2.5	3.0
50	600	50	100	150	200	300	450	-	-	1.5	2.0	2.5	3.0
50	750	50	100	150	200	300	450	600	-	-	2.0	2.5	3.0
50	900	50	100	150	200	300	450	600	750	-	2.0	2.5	3.0

Height (mm)	Width (mm)	Width W2 (mm)								Thickness (mm)			
75	50	50	-	-	-	-	-	-	-	1.5	2.0	2.5	3.0
75	100	50	100	-	-	-	-	-	-	1.5	2.0	2.5	3.0
75	150	50	100	150	-	-	-	-	-	1.5	2.0	2.5	3.0
75	300	50	100	150	200	-	-	-	-	1.5	2.0	2.5	3.0
75	450	50	100	150	200	300	-	-	-	1.5	2.0	2.5	3.0
75	600	50	100	150	200	300	450	-	-	1.5	2.0	2.5	3.0
75	750	50	100	150	200	300	450	600	-	-	2.0	2.5	3.0
75	900	50	100	150	200	300	450	600	750	-	2.0	2.5	3.0

Height (mm)	Width (mm)	Width W2 (mm)								Thickness (mm)			
100	50	50	-	-	-	-	-	-	-	1.5	2.0	2.5	3.0
100	100	50	100	-	-	-	-	-	-	1.5	2.0	2.5	3.0
100	150	50	100	150	-	-	-	-	-	1.5	2.0	2.5	3.0
100	300	50	100	150	200	-	-	-	-	1.5	2.0	2.5	3.0
100	450	50	100	150	200	300	-	-	-	1.5	2.0	2.5	3.0
100	600	50	100	150	200	300	450	-	-	1.5	2.0	2.5	3.0
100	750	50	100	150	200	300	450	600	-	-	2.0	2.5	3.0
100	900	50	100	150	200	300	450	600	750	-	2.0	2.5	3.0

Note:

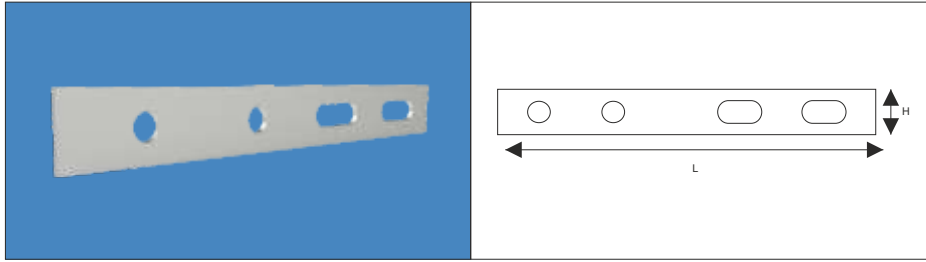
1. Above all Sizes are standard, Tailor-made sizes can be manufactured.
2. For Product code please refer page No xx

Perforated Cable tray Coupler Plate

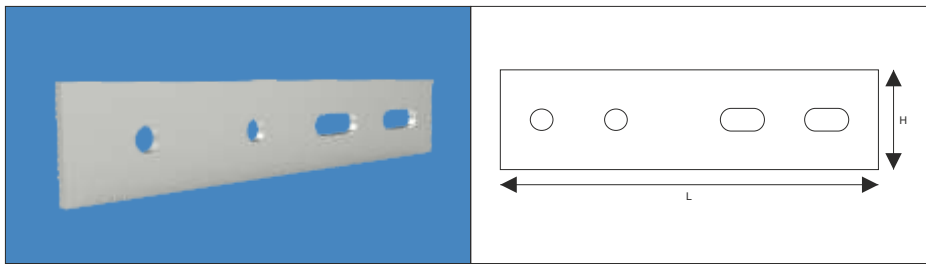
Coupler Plate

Type of Tray	Width	Height	Thk	Material	Finish	Hardware
STC	Please refer below table			MS	BK	4-4 No. of M8 Nut and Bplt
				PG	HD	
				AL	PT	
				S4	PC	
				S6	SC	

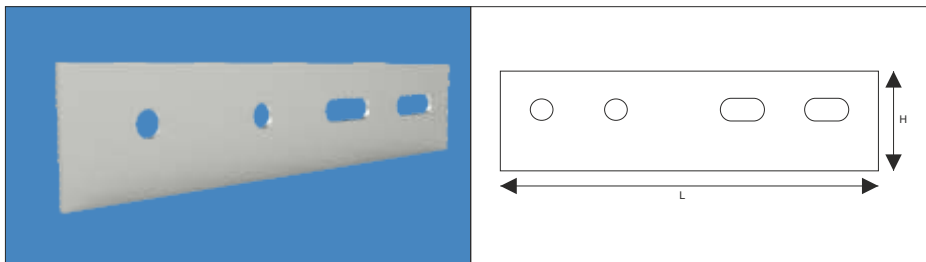
FOR Example:STC-050-025-2.0-210-MS-HD



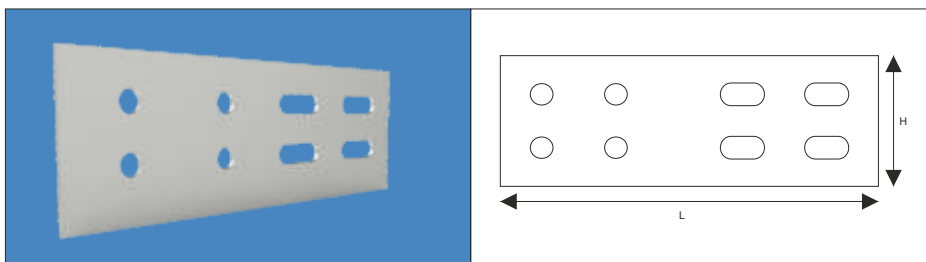
Length (mm)	Height (mm)	Thickness (mm)				
210	25	1.5	2.0	2.5	3.0	3.2



Length (mm)	Height (mm)	Thickness (mm)				
210	40	1.5	2.0	2.5	3.0	3.2

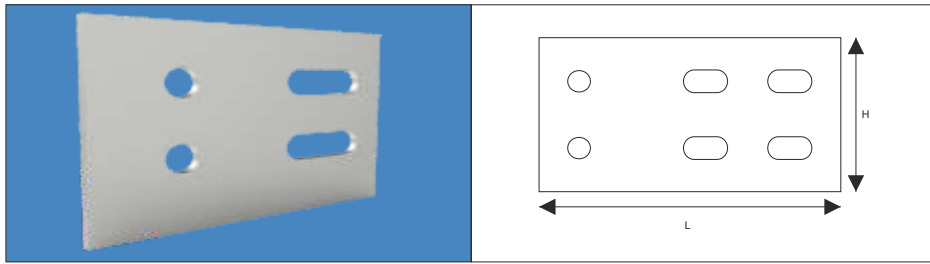


Length (mm)	Height (mm)	Thickness (mm)				
210	45	1.5	2.0	2.5	3.0	3.2

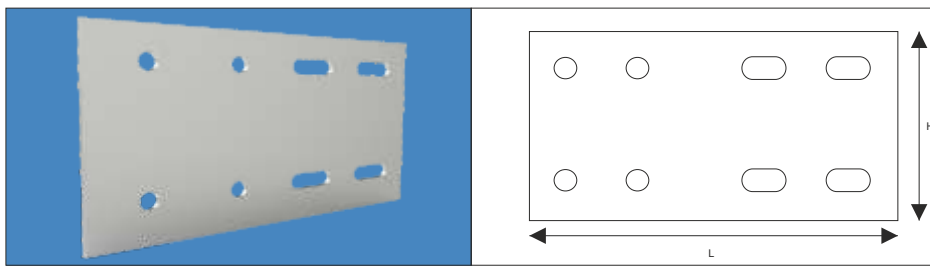


Length (mm)	Height (mm)	Thickness (mm)				
210	70	1.5	2.0	2.5	3.0	3.2

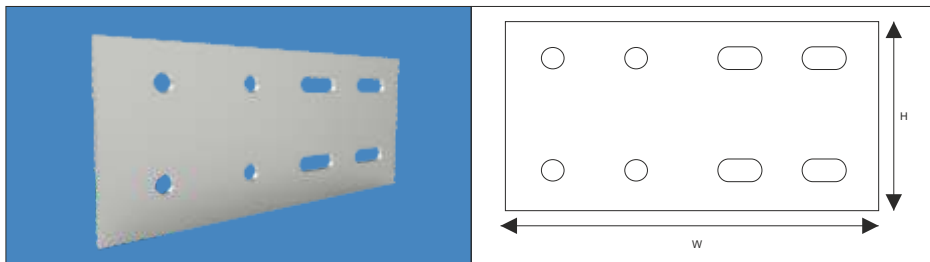
Perforated Cable tray Coupler Plate (STC)



Length (mm)	Height (mm)	Thickness (mm)				
100	70	1.5	2.0	2.5	3.0	3.2



Length (mm)	Height (mm)	Thickness (mm)				
210	95	1.5	2.0	2.5	3.0	3.2

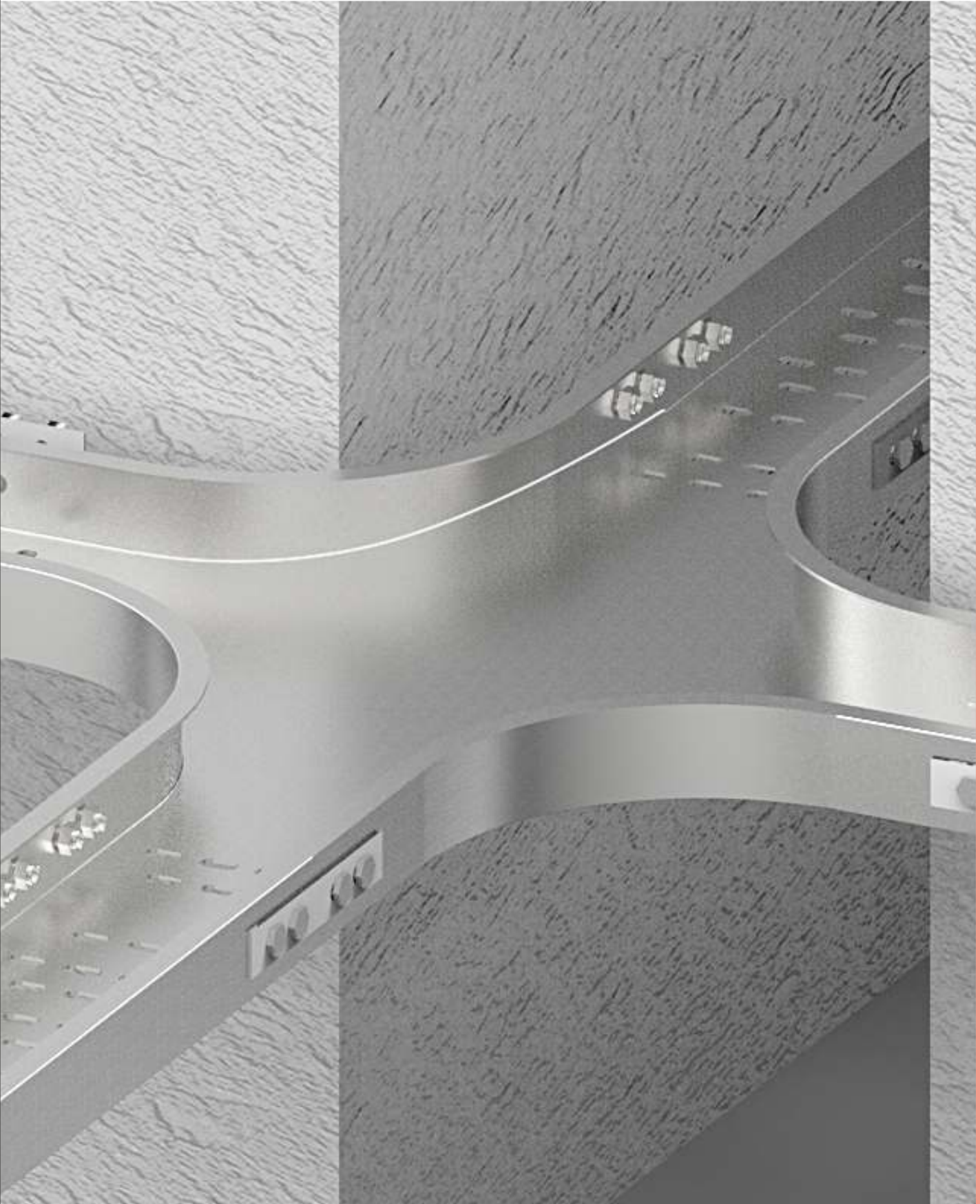


Length (mm)	Height (mm)	Thickness (mm)				
210	120	1.5	2.0	2.5	3.0	3.2

Note:

1. Above all Sizes are standard, Tailor-made sizes can be manufactured.
2. For Product code please refer page No xx

Perforated Cable tray Coupler Plate (STC)



Perforated Cable tray Coupler Plate (STC)

Note:

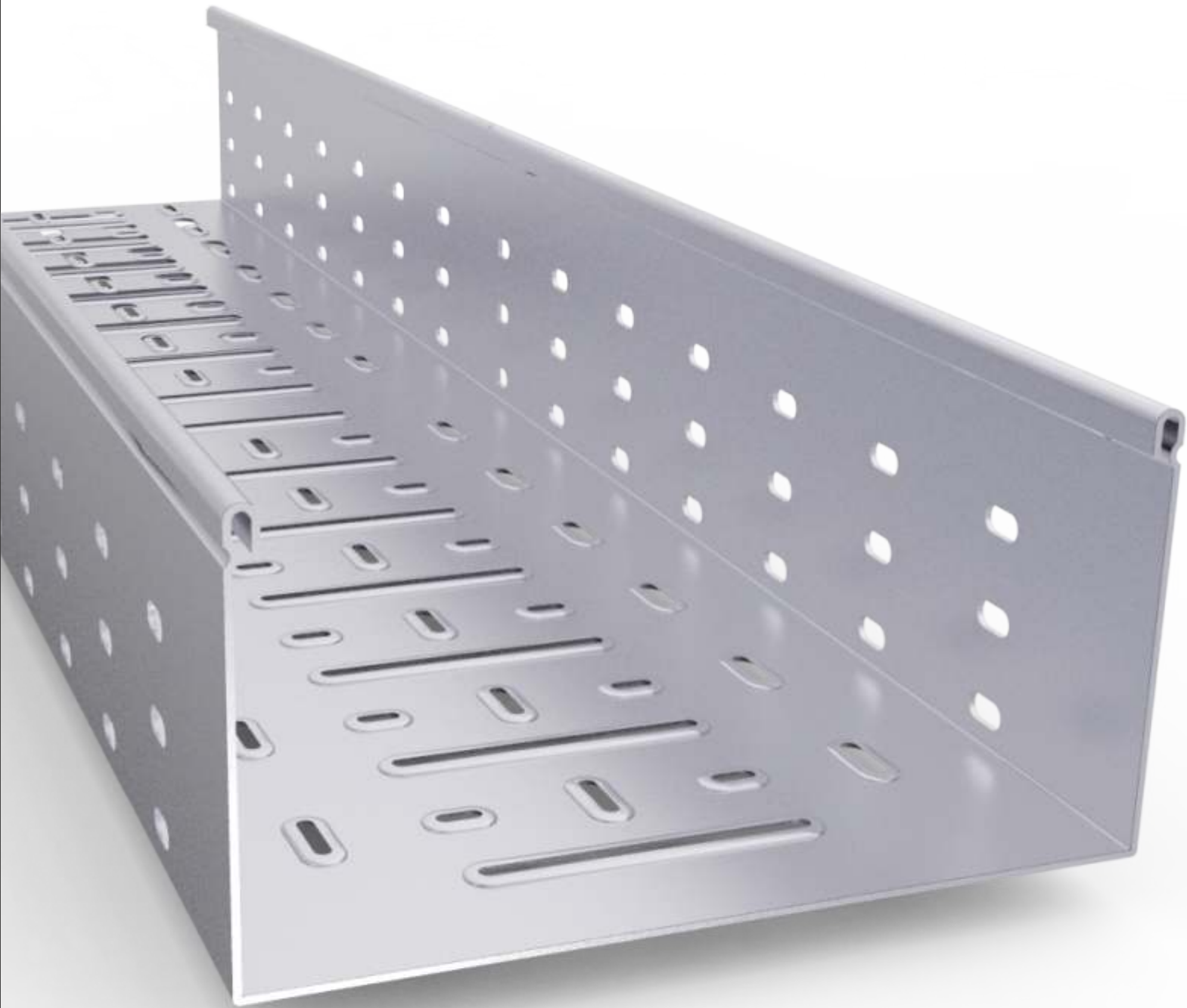
1. Above all Sizes are standard, Tailor-made sizes can be manufactured.
2. For Product code please refer page No xx

Embossed Cable Tray- (ECT)

NOMENCLATURE

ECT	ST00	200	025	1.0	3000	MS	HD
I	II	III	IV	V	VI	VII	VIII

- I. Basic Designation
ECT - Embossed Cable Tray
- II. Profile Type
- ST - Straight type
 - UT - Straight type with U-flange
 - RF15 - Straight type with 15mm return flange
 - IB15 - Straight type with 15mm inward bend
- III. Width
- 150 - 150mm
 - 200 - 200mm
 - 300 - 300mm
 - 450 - 450mm
 - 600 - 600mm
- IV. Height
- 050 - 50mm
 - 075 - 75mm
 - 100 - 100mm
 - 150 - 150mm
- V. Thickness
- 1.0 - 1.0mm
 - 1.2 - 1.2mm
 - 1.5 - 1.5mm
 - 2.0 - 2.0mm
- VI. Length
- 2500 - 2500mm
 - 3000 - 3000mm
 - 6000 - 6000mm
- VII. Material
- MS - Mild Steel
 - S4 - Stainless Steel 304
 - PG - Pre-Galvanized
 - S6 - Stainless Steel 316
 - AL - Aluminium
- VIII. Finish
- HD - Hot-Dip Galvanization
 - PC - Powder coated
 - PP - Pickling & passivation
 - PT - Painted
 - SC - Self Colour



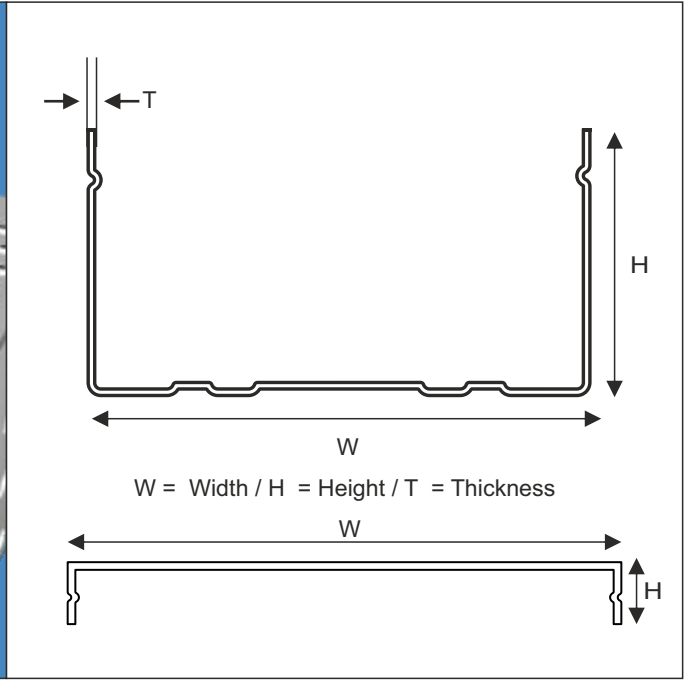
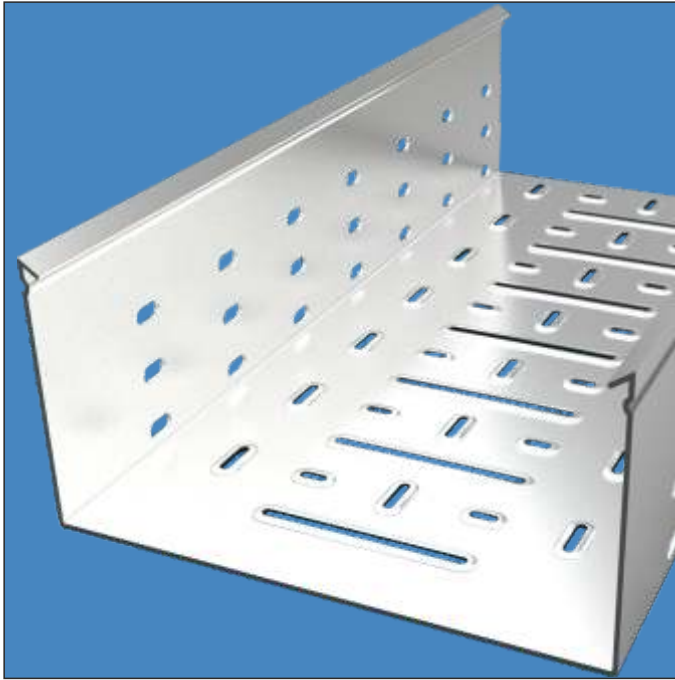
**HAVE YOU SEEN THE ALL NEW
“EMBOSSSED TYPE CABLE TRAYS?”**

Embossed Cable Tray- (ECT)

Starlight Flange Tray

Type of Tray	Profile	Width	Height	Thk	Length	Material	Finish
ECT	ST	Please refer below table			2500	MS	BK
					3000	PG	HD
					6000	AL	PT
						S4	PC
						S6	PP

FOR Example:ECT-ST00-050-025-2.0-600-MS-HD



Height (mm)	Width (mm)	Thickness (mm)			
25	150	1.0	1.2	1.5	2.0
25	200	1.0	1.2	1.5	2.0
25	300	1.0	1.2	1.5	2.0
25	450	1.0	1.2	1.5	2.0
25	600	1.0	1.2	1.5	2.0

Height (mm)	Width (mm)	Thickness (mm)			
75	150	1.0	1.2	1.5	2.0
75	200	1.0	1.2	1.5	2.0
75	300	1.0	1.2	1.5	2.0
75	450	1.0	1.2	1.5	2.0
75	600	1.0	1.2	1.5	2.0

Height (mm)	Width (mm)	Thickness (mm)			
50	150	1.0	1.2	1.5	2.0
50	200	1.0	1.2	1.5	2.0
50	300	1.0	1.2	1.5	2.0
50	450	1.0	1.2	1.5	2.0
50	600	1.0	1.2	1.5	2.0

Height (mm)	Width (mm)	Thickness (mm)			
100	150	1.0	1.2	1.5	2.0
100	200	1.0	1.2	1.5	2.0
100	300	1.0	1.2	1.5	2.0
100	450	1.0	1.2	1.5	2.0
100	600	1.0	1.2	1.5	2.0

Note:

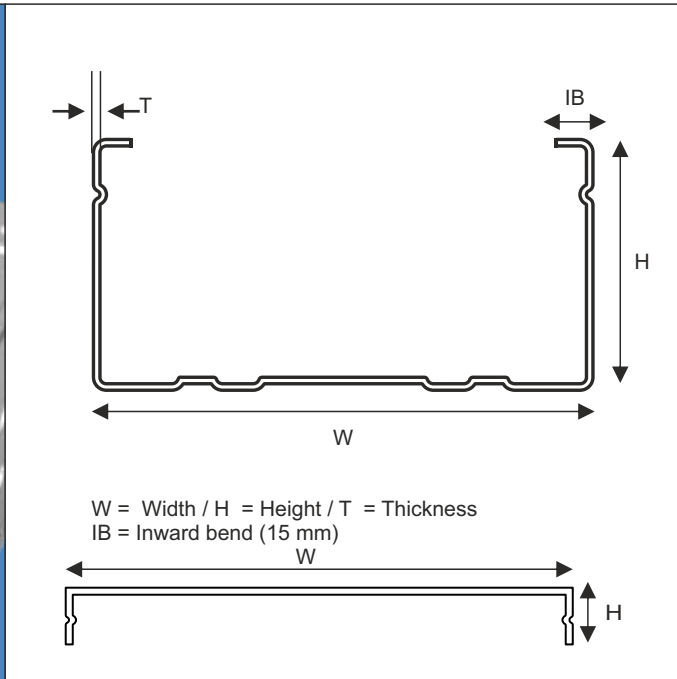
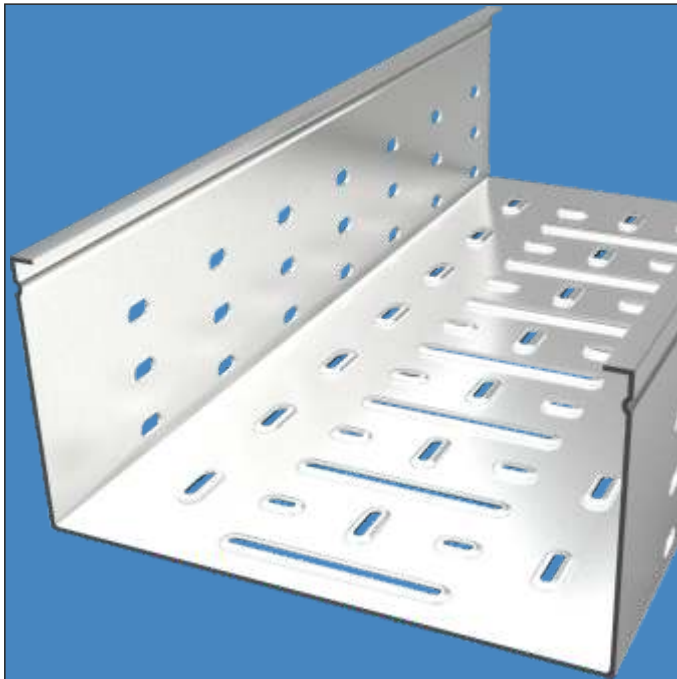
1. Above all Sizes are standard, Tailor-made sizes can be manufactured.
2. For Product code please refer page No xx

Embossed Cable Tray- (ECT)

Straight With Inner Bend

Type of Tray	Profile	Width	Height	Thk	Length	Material	Finish
ECT	Ib15	Please refer below table			2500	MS	BK
					3000	PG	HD
					6000	AL	PT
						S4	PC
						S6	PC

FOR Example:ECT-IB15-050-025-2.0-600-MS-HD



Height (mm)	Width (mm)	Thickness (mm)			
25	150	1.0	1.2	1.5	2.0
25	200	1.0	1.2	1.5	2.0
25	300	1.0	1.2	1.5	2.0
25	450	1.0	1.2	1.5	2.0
25	600	1.0	1.2	1.5	2.0

Height (mm)	Width (mm)	Thickness (mm)			
75	150	1.0	1.2	1.5	2.0
75	200	1.0	1.2	1.5	2.0
75	300	1.0	1.2	1.5	2.0
75	450	1.0	1.2	1.5	2.0
75	600	1.0	1.2	1.5	2.0

Height (mm)	Width (mm)	Thickness (mm)			
50	150	1.0	1.2	1.5	2.0
50	200	1.0	1.2	1.5	2.0
50	300	1.0	1.2	1.5	2.0
50	450	1.0	1.2	1.5	2.0
50	600	1.0	1.2	1.5	2.0

Height (mm)	Width (mm)	Thickness (mm)			
100	150	1.0	1.2	1.5	2.0
100	200	1.0	1.2	1.5	2.0
100	300	1.0	1.2	1.5	2.0
100	450	1.0	1.2	1.5	2.0
100	600	1.0	1.2	1.5	2.0

Note:

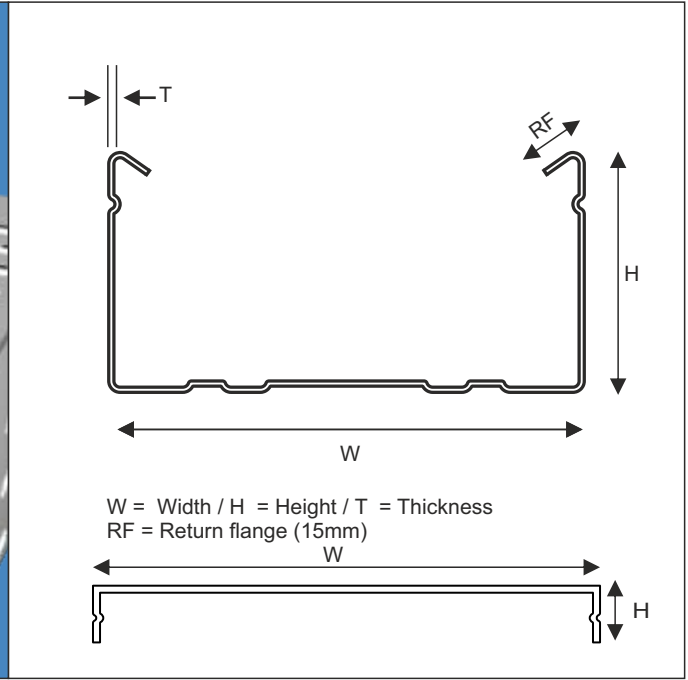
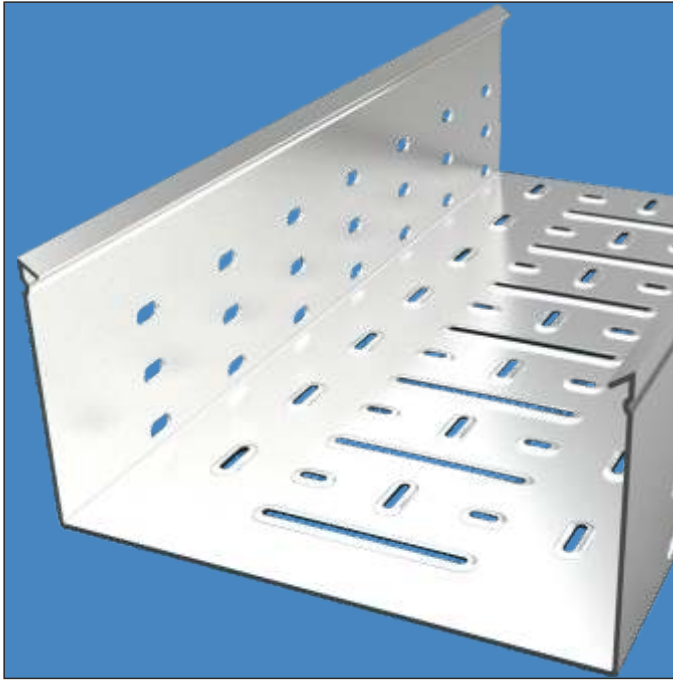
1. Above all Sizes are standard, Tailor-made sizes can be manufactured.
2. For Product code please refer page No xx

Embossed Cable Tray- (ECT)

Starlight Return Flange Tray

Type of Tray	Profile	Width	Height	Thk	Length	Material	Finish
ECT	RF15	Please refer below table			2500	MS	BK
					3000	PG	HD
					6000	AL	PT
						S4	PC
						S6	PP

FOR Example:ECT-RF15-050-025-2.0-600-MS-HD



Height (mm)	Width (mm)	Thickness (mm)			
25	150	1.0	1.2	1.5	2.0
25	200	1.0	1.2	1.5	2.0
25	300	1.0	1.2	1.5	2.0
25	450	1.0	1.2	1.5	2.0
25	600	1.0	1.2	1.5	2.0

Height (mm)	Width (mm)	Thickness (mm)			
75	150	1.0	1.2	1.5	2.0
75	200	1.0	1.2	1.5	2.0
75	300	1.0	1.2	1.5	2.0
75	450	1.0	1.2	1.5	2.0
75	600	1.0	1.2	1.5	2.0

Height (mm)	Width (mm)	Thickness (mm)			
50	150	1.0	1.2	1.5	2.0
50	200	1.0	1.2	1.5	2.0
50	300	1.0	1.2	1.5	2.0
50	450	1.0	1.2	1.5	2.0
50	600	1.0	1.2	1.5	2.0

Height (mm)	Width (mm)	Thickness (mm)			
100	150	1.0	1.2	1.5	2.0
100	200	1.0	1.2	1.5	2.0
100	300	1.0	1.2	1.5	2.0
100	450	1.0	1.2	1.5	2.0
100	600	1.0	1.2	1.5	2.0

Note:

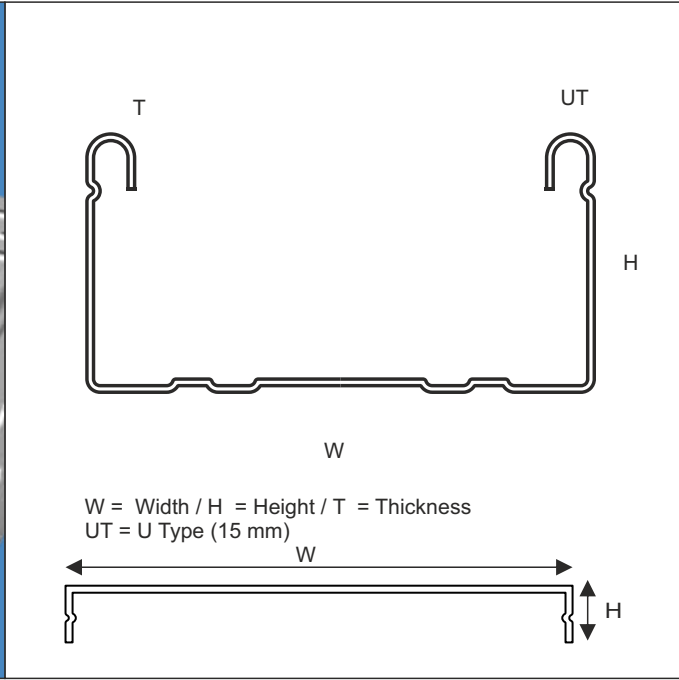
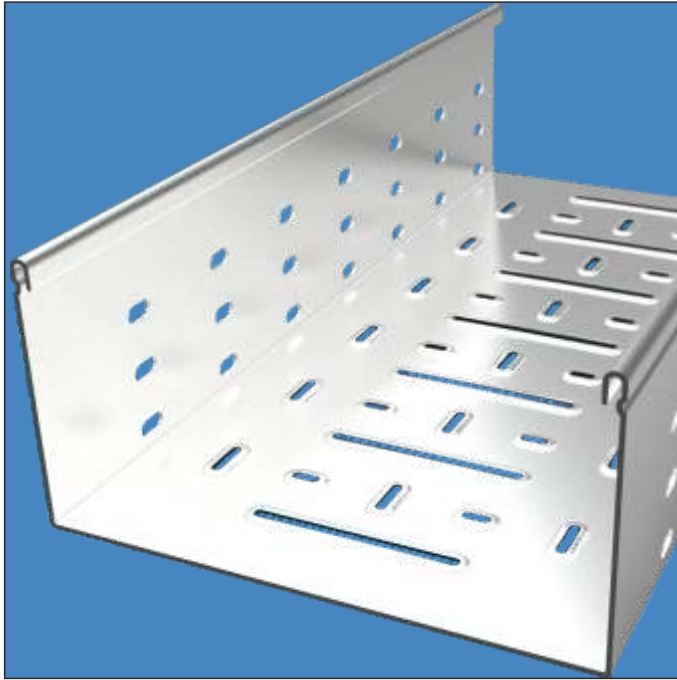
1. Above all Sizes are standard, Tailor-made sizes can be manufactured.
2. For Product code please refer page No xx

Embossed Cable Tray- (ECT)

Straight With U Bend

Type of Tray	Profile	Width	Height	Thk	Length	Material	Finish
ECT	IB15	Please refer below table			2500	MS	BK
					3000	PG	HD
					6000	AL	PT
						S4	PC
						S6	PP

FOR Example:ECT-IB15-050-025-2.0-600-MS-HD



Height (mm)	Width (mm)	Thickness (mm)			
25	150	1.0	1.2	1.5	2.0
25	200	1.0	1.2	1.5	2.0
25	300	1.0	1.2	1.5	2.0
25	450	1.0	1.2	1.5	2.0
25	600	1.0	1.2	1.5	2.0

Height (mm)	Width (mm)	Thickness (mm)			
75	150	1.0	1.2	1.5	2.0
75	200	1.0	1.2	1.5	2.0
75	300	1.0	1.2	1.5	2.0
75	450	1.0	1.2	1.5	2.0
75	600	1.0	1.2	1.5	2.0

Height (mm)	Width (mm)	Thickness (mm)			
50	150	1.0	1.2	1.5	2.0
50	200	1.0	1.2	1.5	2.0
50	300	1.0	1.2	1.5	2.0
50	450	1.0	1.2	1.5	2.0
50	600	1.0	1.2	1.5	2.0

Height (mm)	Width (mm)	Thickness (mm)			
100	150	1.0	1.2	1.5	2.0
100	200	1.0	1.2	1.5	2.0
100	300	1.0	1.2	1.5	2.0
100	450	1.0	1.2	1.5	2.0
100	600	1.0	1.2	1.5	2.0

Note:

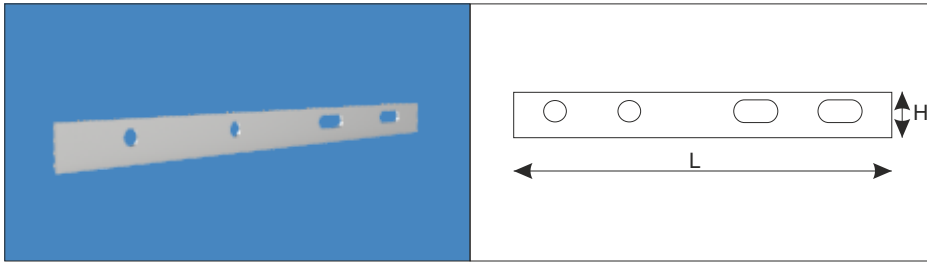
1. Above all Sizes are standard, Tailor-made sizes can be manufactured.
2. For Product code please refer page No xx

Embossed Cable tray Coupler Plate

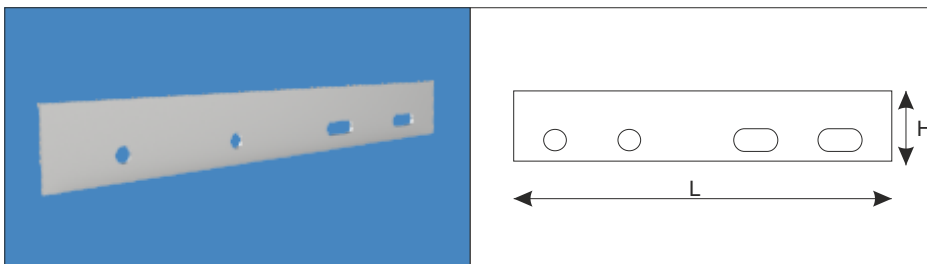
Coupler Plate

Type of Tray	Width	Height	Thk	Material	Finish	Hardware
STC	Please refer below table			MS	HD	2-2 No. of M8 Nut and Bplt
				S4	PP	4-4 No. of M8 Nut and Bplt
				S6		
				AL		

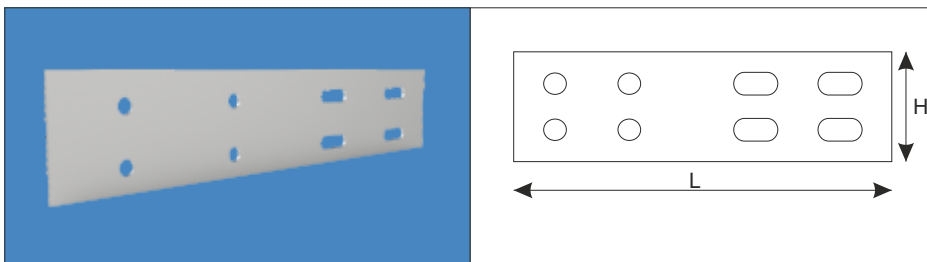
FOR Example:STC-050-025-2.0-210-MS-HD



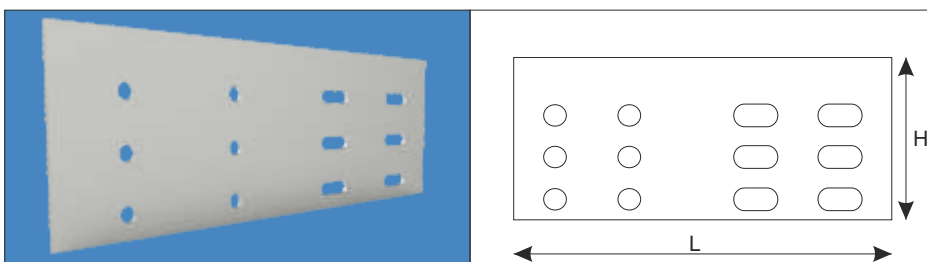
Length (mm)	Width (mm)	Thickness (mm)				
210	25	1.2	2.0	2.5	3.0	3.2



Length (mm)	Width (mm)	Thickness (mm)				
210	45	1.2	2.0	2.5	3.0	3.2



Length (mm)	Width (mm)	Thickness (mm)				
210	70	1.2	2.0	2.5	3.0	3.2



Length (mm)	Width (mm)	Thickness (mm)				
210	120	1.2	2.0	2.5	3.0	3.2

Note:

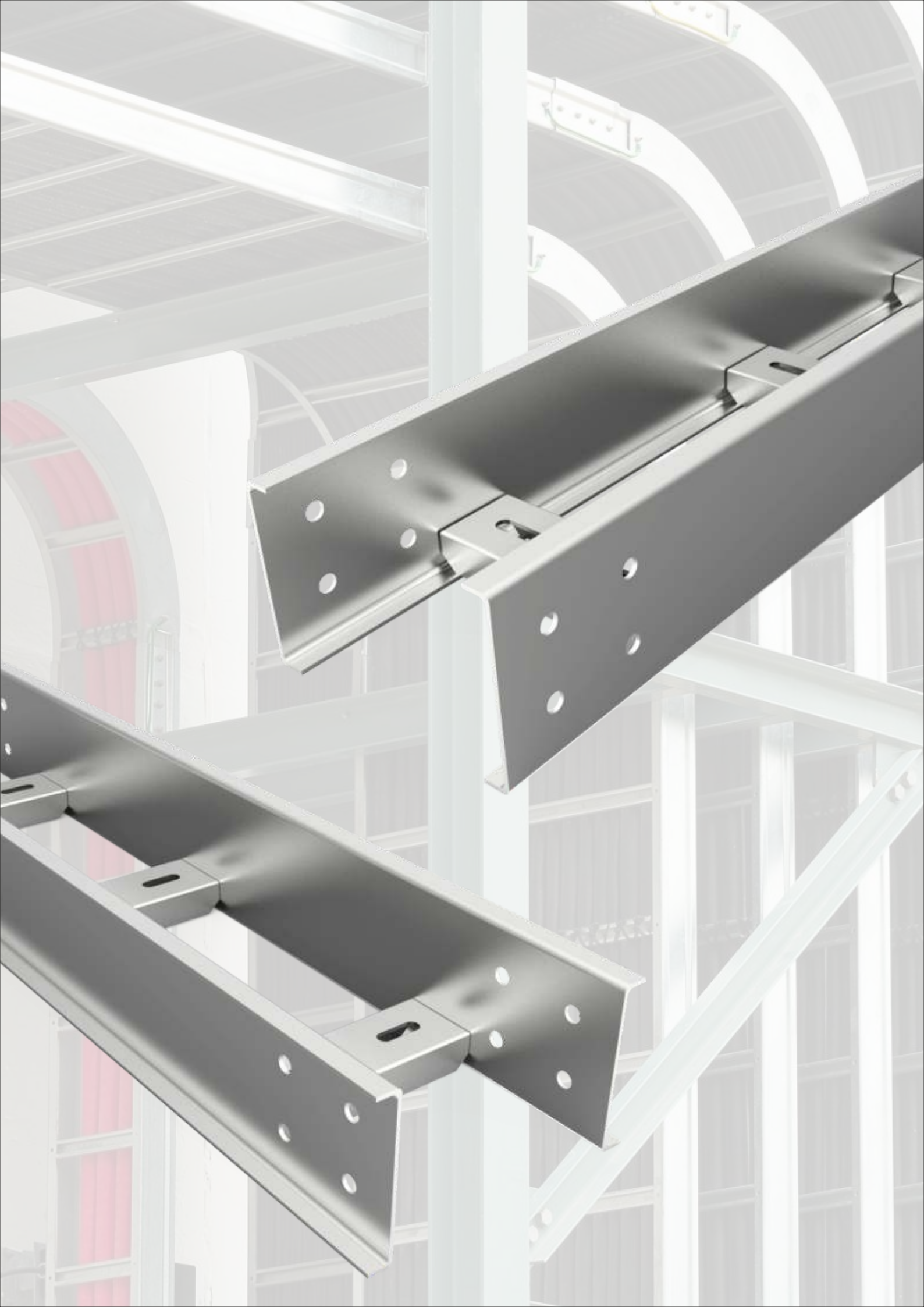
- Above all Sizes are standard, Tailor-made sizes can be manufactured.
- For Product code please refer page No xx

Ladder Cable Tray- (LCT)

NOMENCLATURE

PCT	ST00	200	A	2.0	3000	P	A	300	MS	HD
I	II	III	IV	V	VI	VII	VIII	IX	X	XI

- I. Basic Designation
LCT - Ladder Cable Tray
- II. Profile Type
- IB00 - Inner Bend
- OB00 - Outer Bend
- IU00 - Inner U Bend
- OU00 - Outer U Bend
- III. Width
- 100 - 100mm - 750 - 750mm - 1500 - 1500mm
- 150 - 150mm - 900 - 900mm
- 200 - 200mm - 1000 - 1000mm
- 450 - 450mm - 1200 - 1200mm
- IV. Side Rail Height
- A - 50mm x 15mm - F - 75mm x 25mm - K - 150mm x 25mm
- B - 50mm x 20mm - G - 100mm x 15mm - L - 175mm x 25mm
- C - 50mm x 25mm - H - 100mm x 20mm
- D - 75mm x 15mm - I - 100mm x 25mm
- E - 75mm x 20mm - J - 150mm x 20mm
- V. Thickness
- 1.5 - 1.5mm - 2.5 - 2.5mm
- 2.0 - 2.0mm - 3.0 - 3.0mm
- VI. Length
- 2500 - 2500mm - 3000 - 3000mm - 6000 - 6000mm
- VII. Rung Type
- P- Plain - I- Inner Bend
- S- Slotted
- VIII. Rung dimensions
- A- 35mm x 15mm - C - 40mm x 15mm - E- 50mm x 15mm
- B- 35mm x 20mm - D - 40mm x 20mm - F- 50mm x 20mm
- IX. Material
- MS - Mild Steel - S6 - Stainless Steel 316
- S4 - Stainless Steel 304 - AL - Aluminium
- PG - Pre-Galvanized
- X. Finish
- HD - Hot-Dip Galvanization - PT - Painted
- PC - Powder coated - SC - Self Colour
- PP - Pickling & Passivation

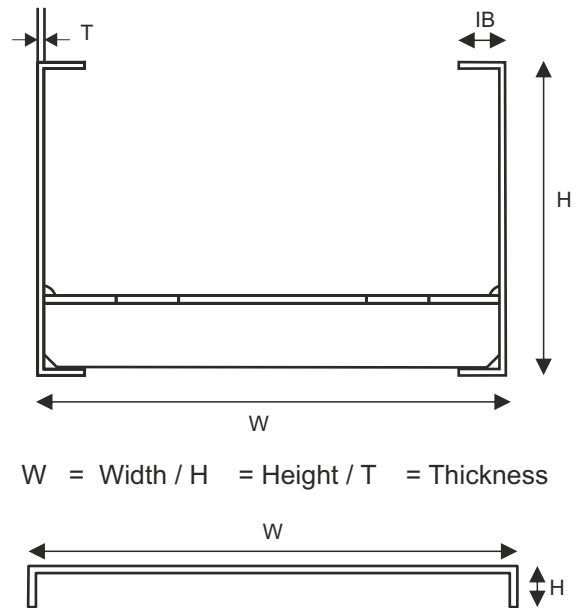
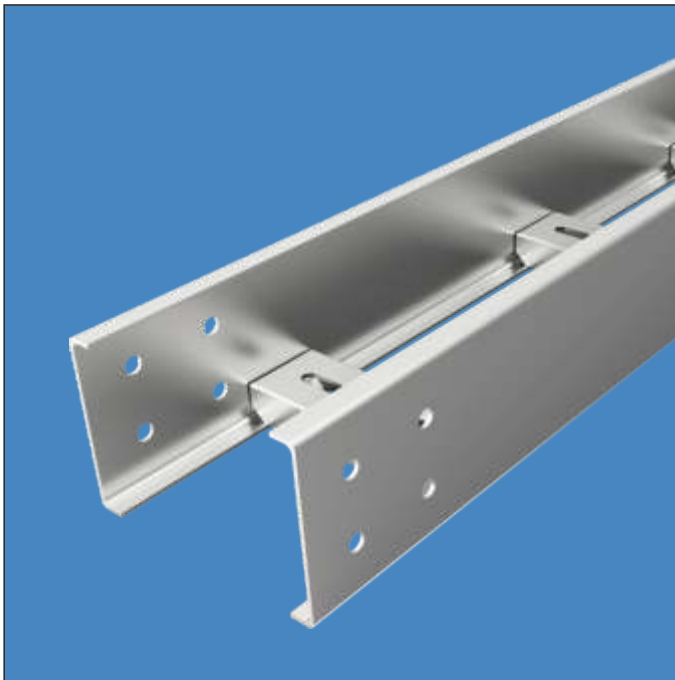


Ladder Cable Tray- (LCT)

Starlight Length - Inner Bend

Type of Tray	Profile	Width	Side Rail Height	Thk	Length	Rung Type	Rung Dimension	Rung Spacing	Material	Finish
LCT	IB15	Please refer below table	A - 50mm x 15mm	Please refer below table	2500	P	A - 35mm x 15mm	250	MS	BK
			B - 50mm x 20mm		3000	I	B - 35mm x 20mm	300	PG	HD
			C - 50mm x 25mm		6000	S	C - 40mm x 15mm		AL	PT
			D - 75mm x 15mm				D - 40mm x 20mm		S4	PC
			E - 75mm x 20mm				E - 50mm x 15mm		S6	SC
			F - 75mm x 25mm				F - 50mm x 20mm			PP
			G - 100mm x 15mm							
			H - 100mm x 20mm							
			I - 100mm x 25mm							
			J - 150mm x 20mm							
			K - 150mm x 25mm							
			L - 175mm x 25mm							

FOR Example:LCT-IB15-200-A-2.0-3000-P-A-300-MS-HD



Height (mm)	Width (mm)	Thickness (mm)			
50	150	1.5	2.0	2.5	3.0
50	300	1.5	2.0	2.5	3.0
50	450	1.5	2.0	2.5	3.0
50	600	1.5	2.0	2.5	3.0
50	750	-	2.0	2.5	3.0
50	900	-	2.0	2.5	3.0
50	1200	-	2.0	2.5	3.0

Height (mm)	Width (mm)	Thickness (mm)			
150	150	1.5	2.0	2.5	3.0
150	300	1.5	2.0	2.5	3.0
150	450	1.5	2.0	2.5	3.0
150	600	1.5	2.0	2.5	3.0
150	750	-	2.0	2.5	3.0
150	900	-	2.0	2.5	3.0
150	1200	-	2.0	2.5	3.0

Height (mm)	Width (mm)	Thickness (mm)			
100	150	1.5	2.0	2.5	3.0
100	300	1.5	2.0	2.5	3.0
100	450	1.5	2.0	2.5	3.0
100	600	1.5	2.0	2.5	3.0
100	750	-	2.0	2.5	3.0
100	900	-	2.0	2.5	3.0
100	1200	-	2.0	2.5	3.0

Height (mm)	Width (mm)	Thickness (mm)			
200	150	1.5	2.0	2.5	3.0
200	300	1.5	2.0	2.5	3.0
200	450	1.5	2.0	2.5	3.0
200	600	1.5	2.0	2.5	3.0
200	750	-	2.0	2.5	3.0
200	900	-	2.0	2.5	3.0
200	1200	-	2.0	2.5	3.0

Note:

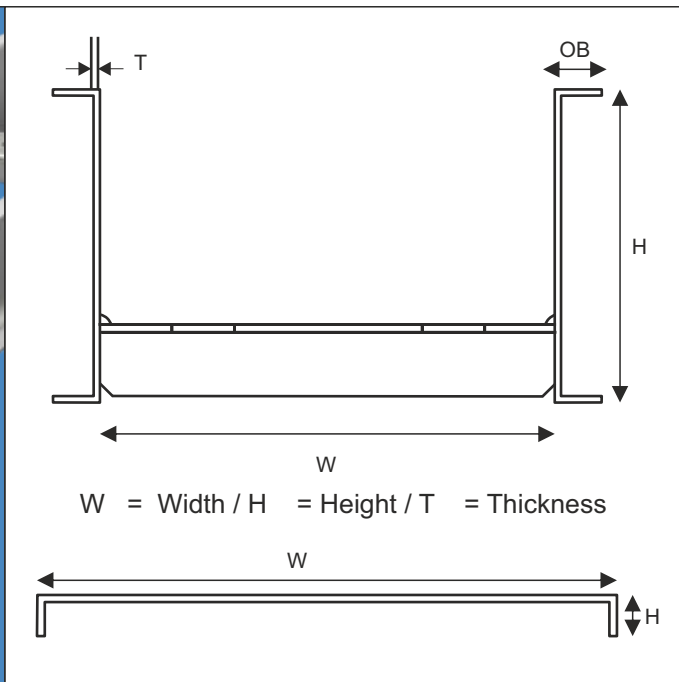
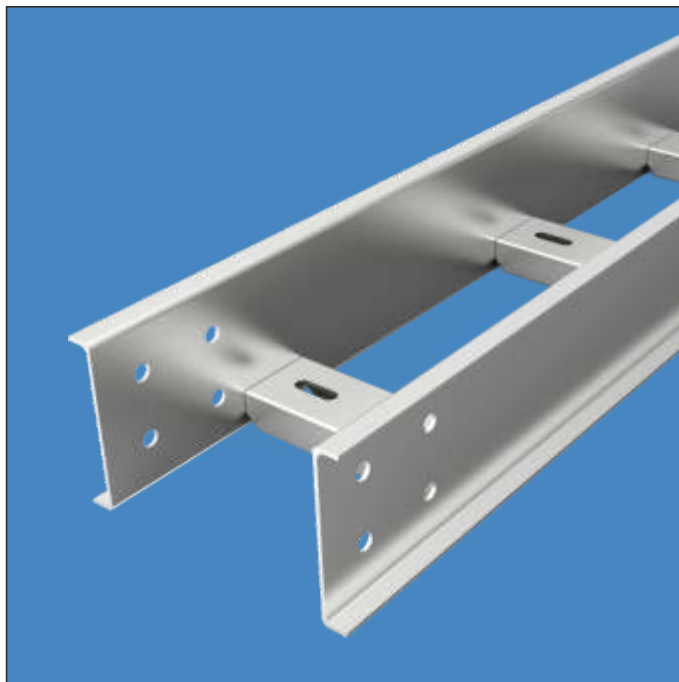
1. Above all Sizes are standard, Tailor-made sizes can be manufactured.
2. For Product code please refer page No xx

Ladder Cable Tray- (LCT)

Starlight Length - Outer Bend

Type of Tray	Profile	Width	Side Rail Height	Thk	Length	Rung Type	Rung Dimension	Rung Spacing	Material	Finish
LCT	OB15	Please refer below table	A - 50mm x 15mm	Please refer below table	2500	P	A - 35mm x 15mm	250	MS	BK
			B - 50mm x 20mm		3000	I	B - 35mm x 20mm	300	PG	HD
			C - 50mm x 25mm		6000	S	C - 40mm x 15mm		AL	PT
			D - 75mm x 15mm				D - 40mm x 20mm		S4	PC
			E - 75mm x 20mm				E - 50mm x 15mm		S6	SC
			F - 75mm x 25mm				F - 50mm x 20mm			PP
			G - 100mm x 15mm							
			H - 100mm x 20mm							
			I - 100mm x 25mm							
			J - 150mm x 20mm							
			K - 150mm x 25mm							
			L - 175mm x 25mm							

FOR Example:LCT-OB15-200-A-2.0-3000-P-A-300-MS-HD



Height (mm)	Width (mm)	Thickness (mm)			
50	150	1.5	2.0	2.5	3.0
50	300	1.5	2.0	2.5	3.0
50	450	1.5	2.0	2.5	3.0
50	600	1.5	2.0	2.5	3.0
50	750	-	2.0	2.5	3.0
50	900	-	2.0	2.5	3.0
50	1200	-	2.0	2.5	3.0

Height (mm)	Width (mm)	Thickness (mm)			
150	150	1.5	2.0	2.5	3.0
150	300	1.5	2.0	2.5	3.0
150	450	1.5	2.0	2.5	3.0
150	600	1.5	2.0	2.5	3.0
150	750	-	2.0	2.5	3.0
150	900	-	2.0	2.5	3.0
150	1200	-	2.0	2.5	3.0

Height (mm)	Width (mm)	Thickness (mm)			
100	150	1.5	2.0	2.5	3.0
100	300	1.5	2.0	2.5	3.0
100	450	1.5	2.0	2.5	3.0
100	600	1.5	2.0	2.5	3.0
100	750	-	2.0	2.5	3.0
100	900	-	2.0	2.5	3.0
100	1200	-	2.0	2.5	3.0

Height (mm)	Width (mm)	Thickness (mm)			
200	150	1.5	2.0	2.5	3.0
200	300	1.5	2.0	2.5	3.0
200	450	1.5	2.0	2.5	3.0
200	600	1.5	2.0	2.5	3.0
200	750	-	2.0	2.5	3.0
200	900	-	2.0	2.5	3.0
200	1200	-	2.0	2.5	3.0

Note:

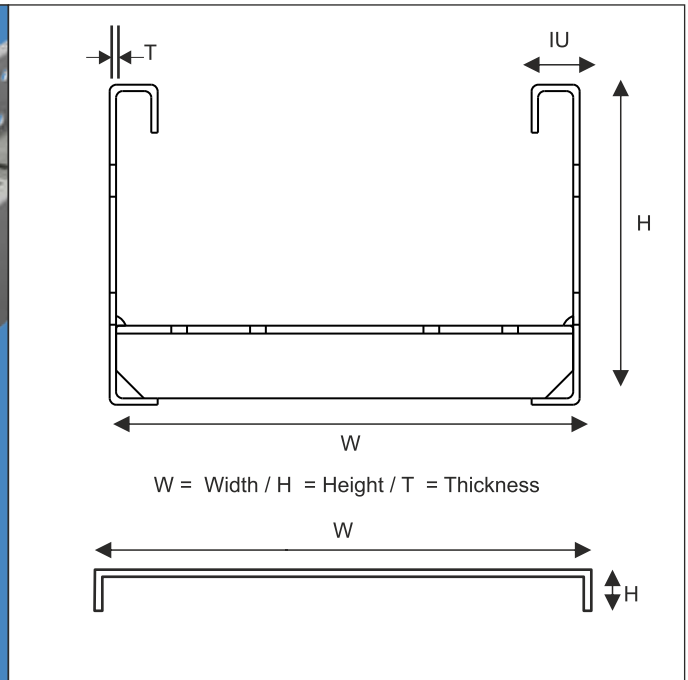
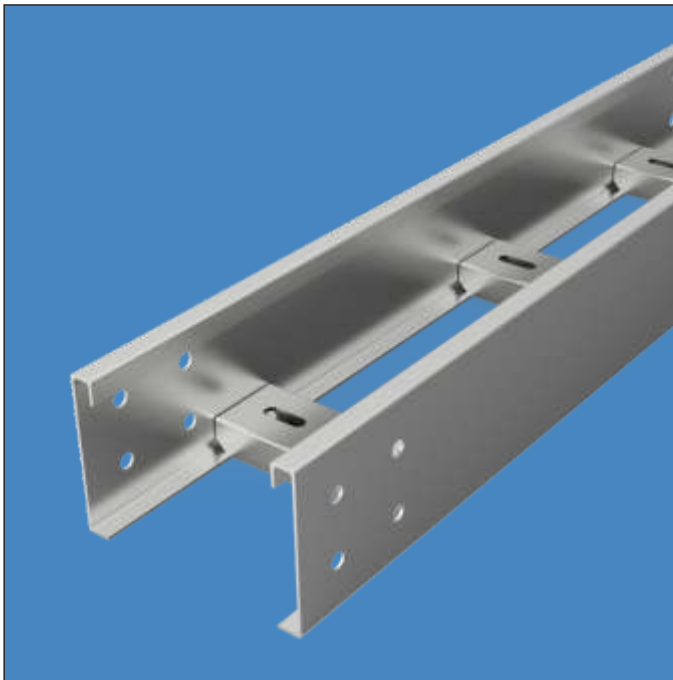
1. Above all Sizes are standard, Tailor-made sizes can be manufactured.
2. For Product code please refer page No xx

Ladder Cable Tray- (LCT)

Starlight Length - Inner U Bend

Type of Tray	Profile	Width	Side Rail Height	Thk	Length	Rung Type	Rung Dimension	Rung Spacing	Material	Finish
LCT	IU00	Please refer below table	A - 50mm x 15mm	Please refer below table	2500	P	A - 35mm x 15mm	250	MS	BK
			B - 50mm x 20mm		3000	I	B - 35mm x 20mm	300	PG	HD
			C - 50mm x 25mm		6000	S	C - 40mm x 15mm		AL	PT
			D - 75mm x 15mm				D - 40mm x 20mm		S4	PC
			E - 75mm x 20mm				E - 50mm x 15mm		S6	SC
			F - 75mm x 25mm				F - 50mm x 20mm			PP
			G - 100mm x 15mm							
			H - 100mm x 20mm							
			I - 100mm x 25mm							
			J - 150mm x 20mm							
			K - 150mm x 25mm							
			L - 175mm x 25mm							

FOR Example:LCT-IU00-200-A-2.0-3000-P-A-300-MS-HD



Height (mm)	Width (mm)	Thickness (mm)			
50	150	1.5	2.0	2.5	3.0
50	300	1.5	2.0	2.5	3.0
50	450	1.5	2.0	2.5	3.0
50	600	1.5	2.0	2.5	3.0
50	750	-	2.0	2.5	3.0
50	900	-	2.0	2.5	3.0
50	1200	-	2.0	2.5	3.0

Height (mm)	Width (mm)	Thickness (mm)			
150	150	1.5	2.0	2.5	3.0
150	300	1.5	2.0	2.5	3.0
150	450	1.5	2.0	2.5	3.0
150	600	1.5	2.0	2.5	3.0
150	750	-	2.0	2.5	3.0
150	900	-	2.0	2.5	3.0
150	1200	-	2.0	2.5	3.0

Height (mm)	Width (mm)	Thickness (mm)			
100	150	1.5	2.0	2.5	3.0
100	300	1.5	2.0	2.5	3.0
100	450	1.5	2.0	2.5	3.0
100	600	1.5	2.0	2.5	3.0
100	750	-	2.0	2.5	3.0
100	900	-	2.0	2.5	3.0
100	1200	-	2.0	2.5	3.0

Height (mm)	Width (mm)	Thickness (mm)			
200	150	1.5	2.0	2.5	3.0
200	300	1.5	2.0	2.5	3.0
200	450	1.5	2.0	2.5	3.0
200	600	1.5	2.0	2.5	3.0
200	750	-	2.0	2.5	3.0
200	900	-	2.0	2.5	3.0
200	1200	-	2.0	2.5	3.0

Note:

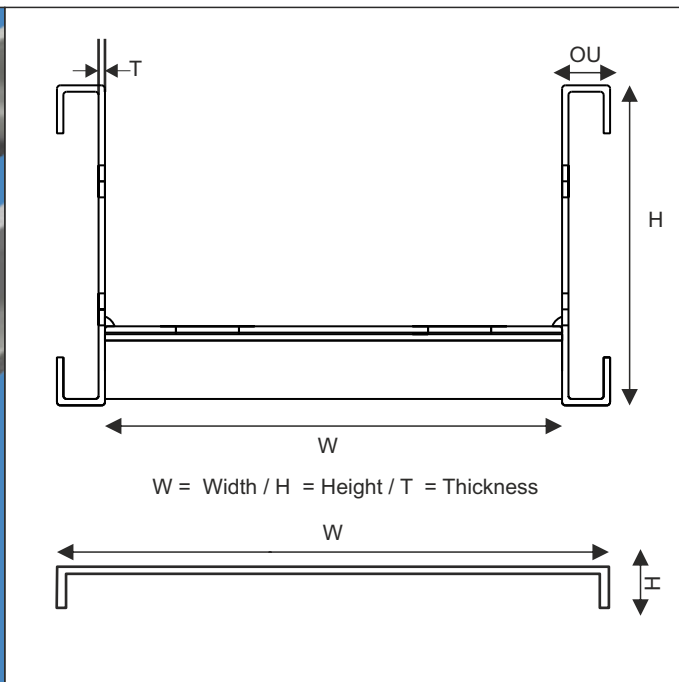
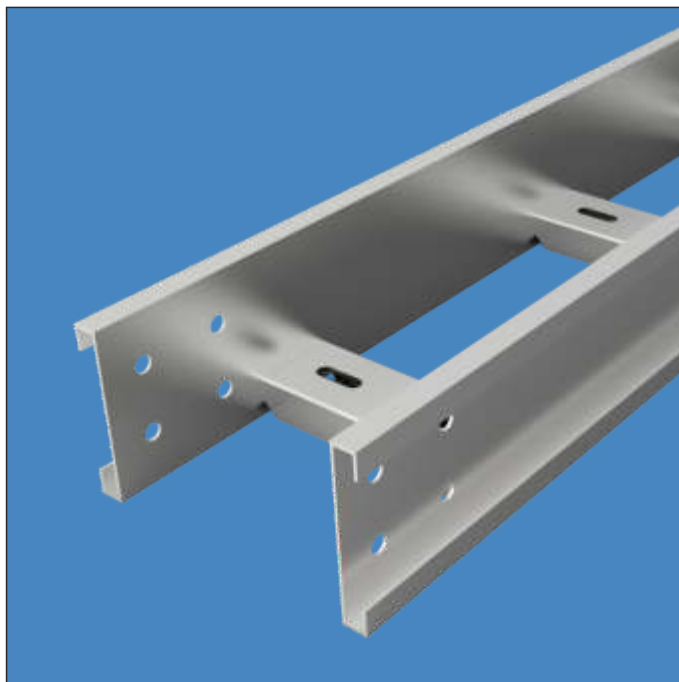
1. Above all Sizes are standard, Tailor-made sizes can be manufactured.
2. For Product code please refer page No xx

Ladder Cable Tray- (LCT)

Starlight Length - Outer U Bend

Type of Tray	Profile	Width	Side Rail Height	Thk	Length	Rung Type	Rung Dimension	Rung Spacing	Material	Finish
LCT	OU00	Please refer below table	A - 50mm x 15mm	Please refer below table	2500	P	A - 35mm x 15mm	250	MS	BK
			B - 50mm x 20mm		3000	I	B - 35mm x 20mm	300	PG	HD
			C - 50mm x 25mm		6000	S	C - 40mm x 15mm		AL	PT
			D - 75mm x 15mm				D - 40mm x 20mm		S4	PC
			E - 75mm x 20mm				E - 50mm x 15mm		S6	SC
			F - 75mm x 25mm				F - 50mm x 20mm			PP
			G - 100mm x 15mm							
			H - 100mm x 20mm							
			I - 100mm x 25mm							
			J - 150mm x 20mm							
			K - 150mm x 25mm							
			L - 175mm x 25mm							

FOR Example:LCT-OU00-200-A-2.0-3000-P-A-300-MS-HD



Height (mm)	Width (mm)	Thickness (mm)			
50	150	1.5	2.0	2.5	3.0
50	300	1.5	2.0	2.5	3.0
50	450	1.5	2.0	2.5	3.0
50	600	1.5	2.0	2.5	3.0
50	750	-	2.0	2.5	3.0
50	900	-	2.0	2.5	3.0
50	1200	-	2.0	2.5	3.0

Height (mm)	Width (mm)	Thickness (mm)			
150	150	1.5	2.0	2.5	3.0
150	300	1.5	2.0	2.5	3.0
150	450	1.5	2.0	2.5	3.0
150	600	1.5	2.0	2.5	3.0
150	750	-	2.0	2.5	3.0
150	900	-	2.0	2.5	3.0
150	1200	-	2.0	2.5	3.0

Height (mm)	Width (mm)	Thickness (mm)			
100	150	1.5	2.0	2.5	3.0
100	300	1.5	2.0	2.5	3.0
100	450	1.5	2.0	2.5	3.0
100	600	1.5	2.0	2.5	3.0
100	750	-	2.0	2.5	3.0
100	900	-	2.0	2.5	3.0
100	1200	-	2.0	2.5	3.0

Height (mm)	Width (mm)	Thickness (mm)			
200	150	1.5	2.0	2.5	3.0
200	300	1.5	2.0	2.5	3.0
200	450	1.5	2.0	2.5	3.0
200	600	1.5	2.0	2.5	3.0
200	750	-	2.0	2.5	3.0
200	900	-	2.0	2.5	3.0
200	1200	-	2.0	2.5	3.0

Note:

- Above all Sizes are standard, Tailor-made sizes can be manufactured.
- For Product code please refer page No xx

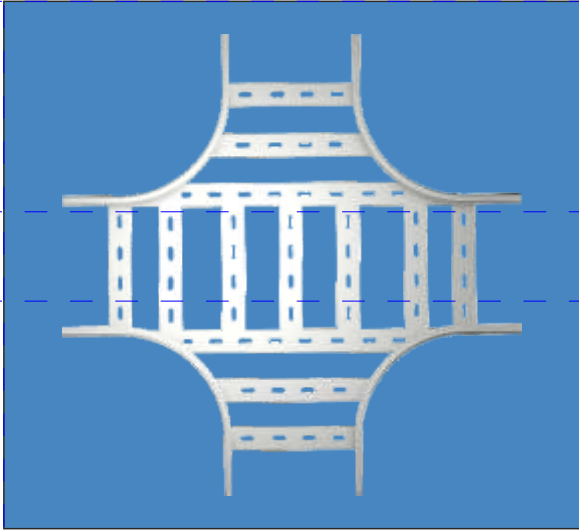
Ladder Cable Tray Accessories - (LCTA)

NOMENCLATURE

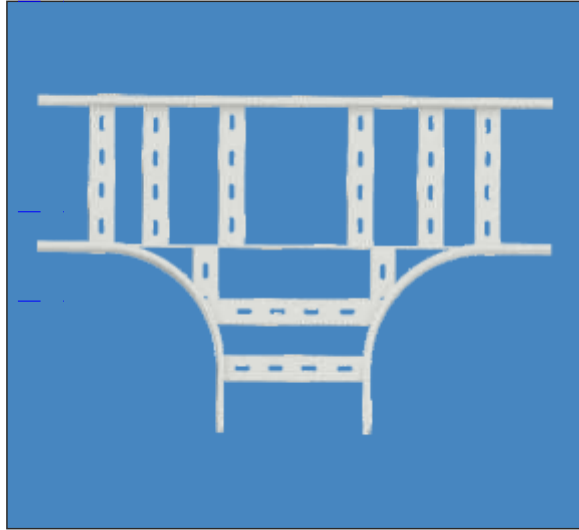
LCTA	IB	200	A	2.0	3000	P	A	300	MS	HD
I	II	III	IV	V	VI	VII	VIII	IX	X	XI

I.	Basic Designation LCTA - Ladder Cable Tray Accessories									
II.	Profile Type - IB00 - Inner Bend - OB00 - Outer Bend									
II.	Accessories Type - HB - Horizontal bend - VIB - Vertical Inside bend - VOB - Vertical Outside Bend - REDL - Reducer Left - REDR - Reducer Right - REDC - Reducer Center - RTEE - Regular tee - VTEE - Vertical tee - UTEE - Unequal tee - CR - Crossed									
II.	Width - 100 - 100mm - 200 - 200mm - 750 - 750mm - 1000 - 1000mm - 150 - 150mm - 450 - 450mm - 900 - 900mm - 1200 - 1200mm									
IV.	Side Rail Height - A - 50 X 15mm - G - 150 X 20mm - E - 100 X 20mm - F - 100 X 25mm - C - 50 X 25mm - B - 50 X 20mm - I - 175 X 25mm									
V.	Thickness - 1.5 - 1.5mm - 2.5 - 2.5mm - 2.0 - 2.0mm - 3.0 - 3.0mm									
VI.	Rung Type - P- Plain - I- Inner Bend - S- Slotted									
VII.	Rung dimensions - A- 35 X 15mm - B- 35 X 20mm - C - 15 X 40mm - D - 20 X 40mm - E- 20 X 50mm									
VIII.	Material - MS - Mild Steel - AL - Aluminium - S4 - Stainless Steel 304 - PG - Pre-Galvanized - S4 - Stainless Steel 304									
IX	Finish - HD - Hot-Dip Galvanization - PC - Powder coated - PP - Pickling & passivation - PT - Painted - SC - Self Colour									
XI	Radius - R01 - 150mm radius - R03 - 300mm radius - R04 - 450mm radius - R06 - 600mm radius - R09 - 900mm radius - R12 - 1200mm radius - NR - Non-Radial									

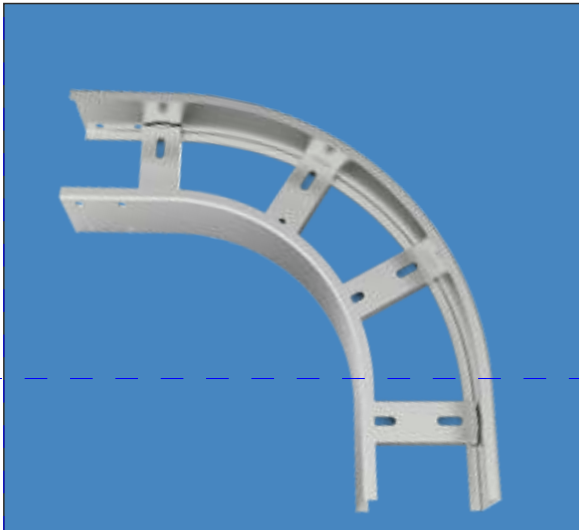
Ladder Cable Tray Accessories - (LCTA)



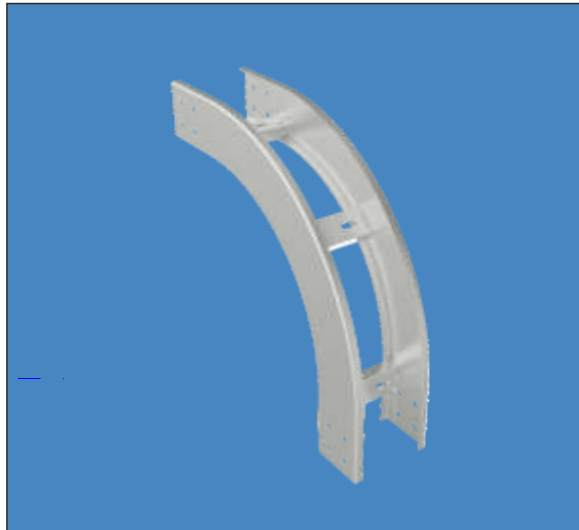
Horizontal Cross



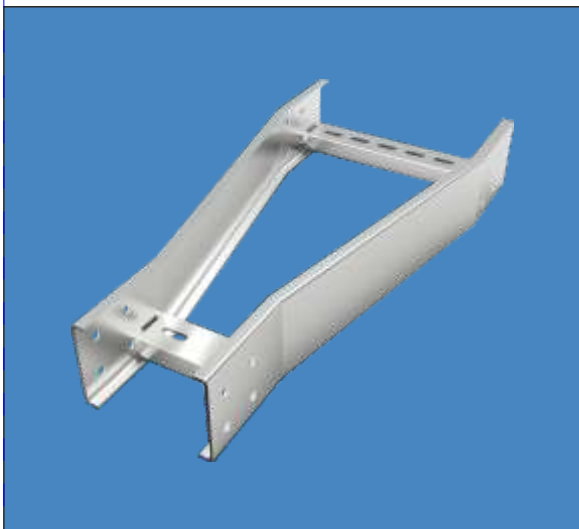
Horizontal Tee



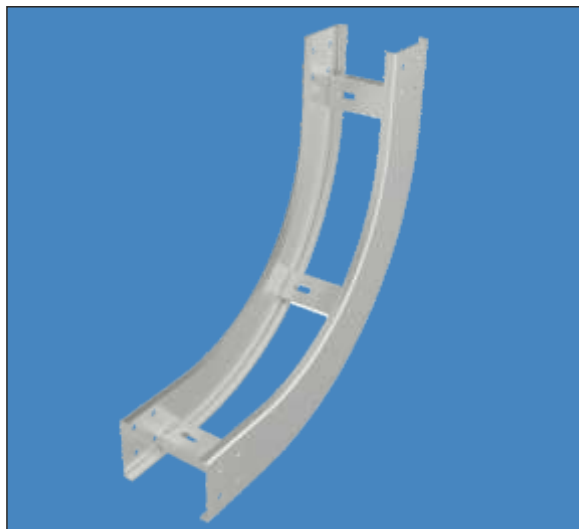
Horizontal Bend



Vertical Bend Outside



Reducers



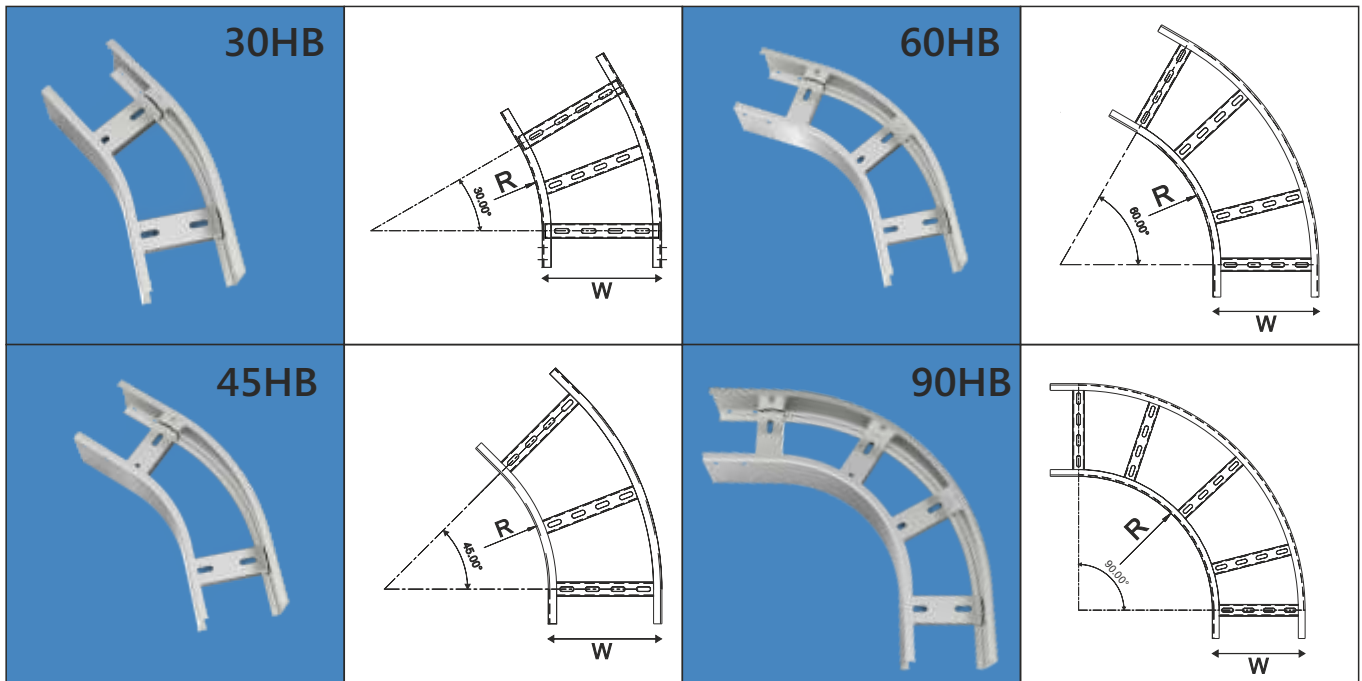
Vertical Bend Inside

Ladder Cable Tray Accessories - (LCTA)

Horizontal Bend (Radial)

Type of Tray	Profile	Accessory Type	Width	Side Rail Height	Thk	Rung Type	Rung Dimension	Material	Finish	Radius
LCTA	IB	HB30	Please refer below table	A- 50 x 15mm	Please refer below table	P	A- 15 x 35mm	MS	HD	R03
		HB45		B- 50 x 20mm		I	B- 20 x 35mm	PG	PT	R04
	HB60	C- 50 x 25mm		S		C- 15 x 40mm	AL	PC	R06	
	HB90	D- 100 x 15mm				D- 20 x 40mm	S4	SC	R09	
		E- 100 x 20mm				E- 15 x 50mm	S6	PP	R12	
		F- 100 x 25mm				F- 20 x 50mm				
		G- 100 x 45mm								
		H- 150 x 20mm								
		I- 150 x 25mm								
		J- 175 x 25mm								

FOR Example:LCTA-IB-HB30-200-A-2.0-P-A-MS-HD-R03



Height (mm)	Width (mm)	Thickness (mm)			
50	150	-	2.0	2.5	3.0
50	300	-	2.0	2.5	3.0
50	450	1.5	2.0	2.5	3.0
50	600	1.5	2.0	2.5	3.0
50	750	1.5	2.0	2.5	3.0
50	900	1.5	2.0	2.5	3.0
50	1200	1.5	2.0	2.5	3.0

Height (mm)	Width (mm)	Thickness (mm)			
150	150	-	2.0	2.5	3.0
150	300	-	2.0	2.5	3.0
150	450	1.5	2.0	2.5	3.0
150	600	1.5	2.0	2.5	3.0
150	750	1.5	2.0	2.5	3.0
150	900	1.5	2.0	2.5	3.0
150	1200	1.5	2.0	2.5	3.0

Height (mm)	Width (mm)	Thickness (mm)			
100	150	-	2.0	2.5	3.0
100	300	-	2.0	2.5	3.0
100	450	1.5	2.0	2.5	3.0
100	600	1.5	2.0	2.5	3.0
100	750	1.5	2.0	2.5	3.0
100	900	1.5	2.0	2.5	3.0
100	1200	1.5	2.0	2.5	3.0

Height (mm)	Width (mm)	Thickness (mm)			
200	150	-	2.0	2.5	3.0
200	300	-	2.0	2.5	3.0
200	450	1.5	2.0	2.5	3.0
200	600	1.5	2.0	2.5	3.0
200	750	1.5	2.0	2.5	3.0
200	900	1.5	2.0	2.5	3.0
200	1200	1.5	2.0	2.5	3.0

Note:

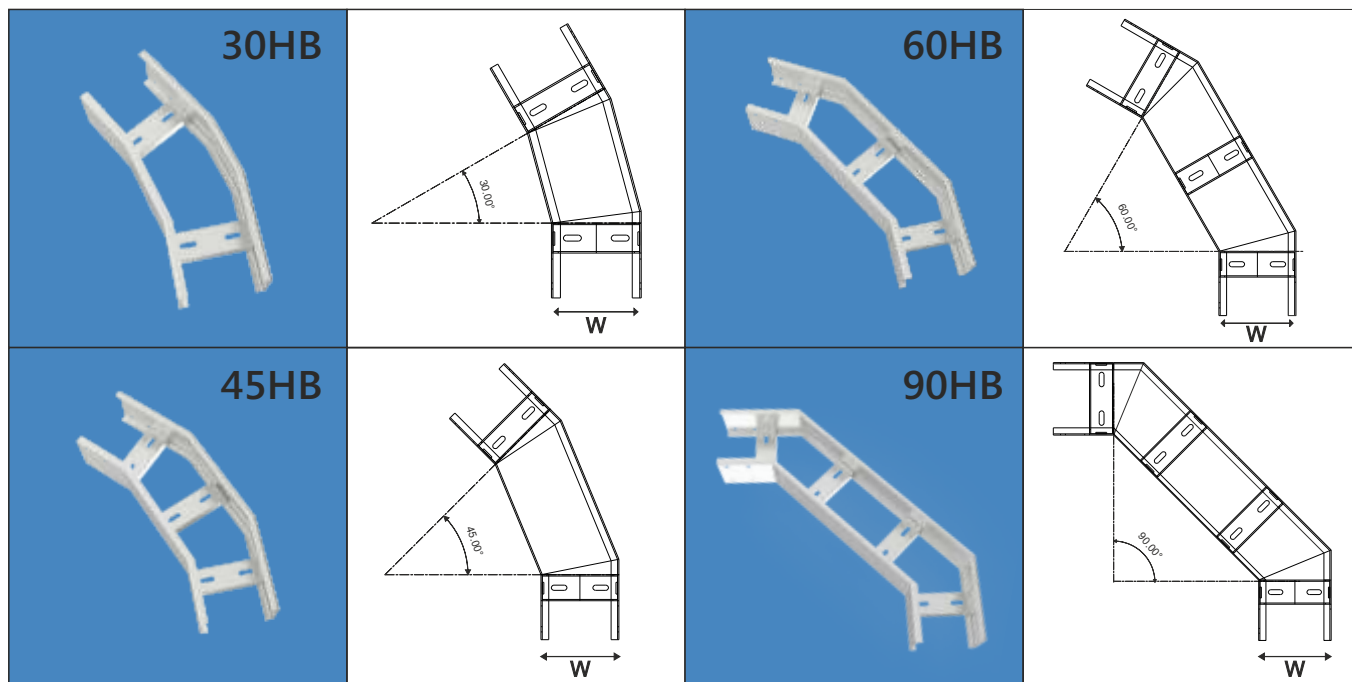
1. Above all Sizes are standard, Tailor-made sizes can be manufactured.
2. For Product code please refer page No xx

Ladder Cable Tray Accessories - (LCTA)

Horizontal Bend (Non-Radial)

Type of Tray	Profile	Accessory Type	Width	Side Rail Height	Thk	Rung Type	Rung Dimension	Material	Finish	Radius
LCTA	IB	HB30	Please refer below table	A- 50 x 15mm	Please refer below table	P	A- 15 x 35mm	MS	HD	NR
		HB45		B- 50 x 20mm		I	B- 20 x 35mm	PG	PT	
	HB60	C- 50 x 25mm		S		C- 15 x 40mm	AL	PC		
	HB90	D- 100 x 15mm				D- 20 x 40mm	S4	SC		
		E- 100 x 20mm				E- 15 x 50mm	S6	PP		
		F- 100 x 25mm				F- 20 x 50mm				
		G- 100 x 45mm								
		H- 150 x 20mm								
		I- 150 x 25mm								
		J- 175 x 25mm								

FOR Example: LCTA-IB-HB30-200-A-2.0-P-A-MS-HD-NR



Height (mm)	Width (mm)	Thickness (mm)			
50	150	-	2.0	2.5	3.0
50	300	-	2.0	2.5	3.0
50	450	1.5	2.0	2.5	3.0
50	600	1.5	2.0	2.5	3.0
50	750	1.5	2.0	2.5	3.0
50	900	1.5	2.0	2.5	3.0
50	1200	1.5	2.0	2.5	3.0

Height (mm)	Width (mm)	Thickness (mm)			
150	150	-	2.0	2.5	3.0
150	300	-	2.0	2.5	3.0
150	450	1.5	2.0	2.5	3.0
150	600	1.5	2.0	2.5	3.0
150	750	1.5	2.0	2.5	3.0
150	900	1.5	2.0	2.5	3.0
150	1200	1.5	2.0	2.5	3.0

Height (mm)	Width (mm)	Thickness (mm)			
100	150	-	2.0	2.5	3.0
100	300	-	2.0	2.5	3.0
100	450	1.5	2.0	2.5	3.0
100	600	1.5	2.0	2.5	3.0
100	750	1.5	2.0	2.5	3.0
100	900	1.5	2.0	2.5	3.0
100	1200	1.5	2.0	2.5	3.0

Height (mm)	Width (mm)	Thickness (mm)			
200	150	-	2.0	2.5	3.0
200	300	-	2.0	2.5	3.0
200	450	1.5	2.0	2.5	3.0
200	600	1.5	2.0	2.5	3.0
200	750	1.5	2.0	2.5	3.0
200	900	1.5	2.0	2.5	3.0
200	1200	1.5	2.0	2.5	3.0

Note:

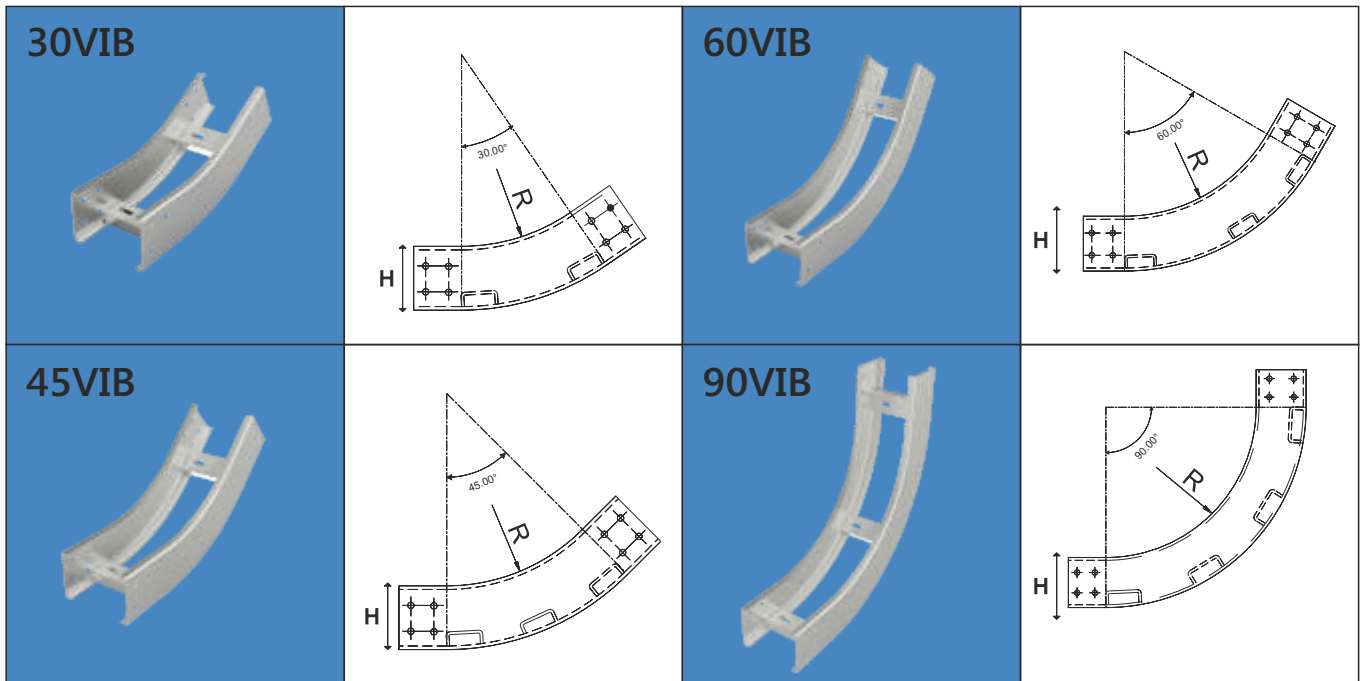
- Above all Sizes are standard, Tailor-made sizes can be manufactured.
- For Product code please refer page No xx

Ladder Cable Tray Accessories - (LCTA)

Vertical Inside Bend (Radial)

Type of Tray	Profile	Accessory Type	Width	Side Rail Height	Thk	Rung Type	Rung Dimension	Material	Finish	Radius
LCTA	IB	VIB30	Please refer below table	A- 50 x 15mm	Please refer below table	P	A- 15 x 35mm	MS	HD	R03
		OB		VIB45		B- 50 x 20mm	I	B- 20 x 35mm	PG	PT
	VIB60	C- 50 x 25mm		S		C- 15 x 40mm	AL	PC	R06	
	VIB90	D- 100 x 15mm				D- 20 x 40mm	S4	SC	R09	
		E- 100 x 20mm				E- 15 x 50mm	S6	PP	R12	
		F- 100 x 25mm				F- 20 x 50mm				
		G- 100 x 45mm								
		H- 150 x 20mm								
		I- 150 x 25mm								
		J- 175 x 25mm								

FOR Example:LCTA-IB-VIB30-200-A-2.0-P-A-MS-HD-R03



Height (mm)	Width (mm)	Thickness (mm)			
50	150	-	2.0	2.5	3.0
50	300	-	2.0	2.5	3.0
50	450	1.5	2.0	2.5	3.0
50	600	1.5	2.0	2.5	3.0
50	750	1.5	2.0	2.5	3.0
50	900	1.5	2.0	2.5	3.0
50	1200	1.5	2.0	2.5	3.0

Height (mm)	Width (mm)	Thickness (mm)			
150	150	-	2.0	2.5	3.0
150	300	-	2.0	2.5	3.0
150	450	1.5	2.0	2.5	3.0
150	600	1.5	2.0	2.5	3.0
150	750	1.5	2.0	2.5	3.0
150	900	1.5	2.0	2.5	3.0
150	1200	1.5	2.0	2.5	3.0

Height (mm)	Width (mm)	Thickness (mm)			
100	150	-	2.0	2.5	3.0
100	300	-	2.0	2.5	3.0
100	450	1.5	2.0	2.5	3.0
100	600	1.5	2.0	2.5	3.0
100	750	1.5	2.0	2.5	3.0
100	900	1.5	2.0	2.5	3.0
100	1200	1.5	2.0	2.5	3.0

Height (mm)	Width (mm)	Thickness (mm)			
200	150	-	2.0	2.5	3.0
200	300	-	2.0	2.5	3.0
200	450	1.5	2.0	2.5	3.0
200	600	1.5	2.0	2.5	3.0
200	750	1.5	2.0	2.5	3.0
200	900	1.5	2.0	2.5	3.0
200	1200	1.5	2.0	2.5	3.0

Note:

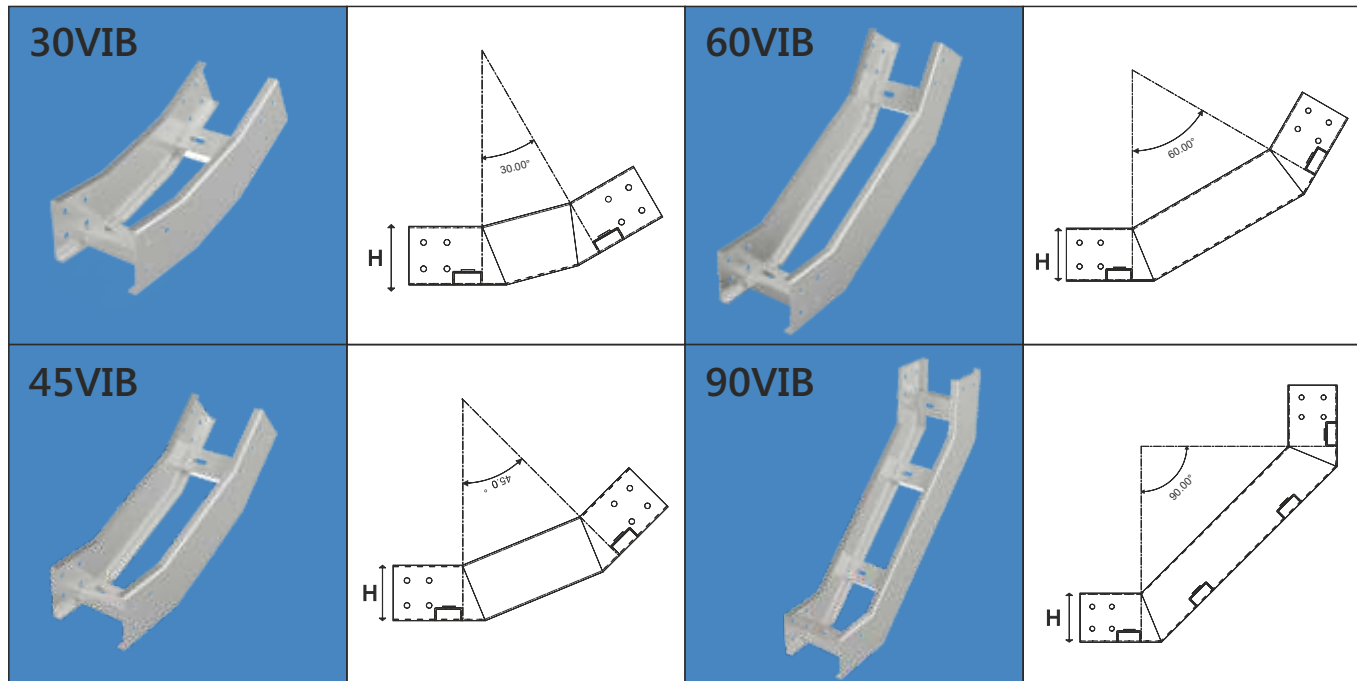
- Above all Sizes are standard, Tailor-made sizes can be manufactured.
- For Product code please refer page No xx

Ladder Cable Tray Accessories - (LCTA)

Vertical Inside Bend (Non-Radial)

Type of Tray	Profile	Accessory Type	Width	Side Rail Height	Thk	Rung Type	Rung Dimension	Material	Finish	Radius
LCTA	IB	VIB30	Please refer below table	A- 50 x 15mm	Please refer below table	P	A- 15 x 35mm	MS	HD	NR
		OB		VIB45		B- 50 x 20mm	I	B- 20 x 35mm	PG	
	VIB60	C- 50 x 25mm		S		C- 15 x 40mm	AL	PC		
	VIB90	D- 100 x 15mm				D- 20 x 40mm	S4	SC		
		E- 100 x 20mm				E- 15 x 50mm	S6	PP		
		F- 100 x 25mm				F- 20 x 50mm				
		G- 100 x 45mm								
		H- 150 x 20mm								
		I- 150 x 25mm								
		J- 175 x 25mm								

FOR Example: LCTA-IB-VIB30-200-A-2.0-P-A-MS-HD-NR



Height (mm)	Width (mm)	Thickness (mm)			
50	150	-	2.0	2.5	3.0
50	300	-	2.0	2.5	3.0
50	450	1.5	2.0	2.5	3.0
50	600	1.5	2.0	2.5	3.0
50	750	1.5	2.0	2.5	3.0
50	900	1.5	2.0	2.5	3.0
50	1200	1.5	2.0	2.5	3.0

Height (mm)	Width (mm)	Thickness (mm)			
150	150	-	2.0	2.5	3.0
150	300	-	2.0	2.5	3.0
150	450	1.5	2.0	2.5	3.0
150	600	1.5	2.0	2.5	3.0
150	750	1.5	2.0	2.5	3.0
150	900	1.5	2.0	2.5	3.0
150	1200	1.5	2.0	2.5	3.0

Height (mm)	Width (mm)	Thickness (mm)			
100	150	-	2.0	2.5	3.0
100	300	-	2.0	2.5	3.0
100	450	1.5	2.0	2.5	3.0
100	600	1.5	2.0	2.5	3.0
100	750	1.5	2.0	2.5	3.0
100	900	1.5	2.0	2.5	3.0
100	1200	1.5	2.0	2.5	3.0

Height (mm)	Width (mm)	Thickness (mm)			
200	150	-	2.0	2.5	3.0
200	300	-	2.0	2.5	3.0
200	450	1.5	2.0	2.5	3.0
200	600	1.5	2.0	2.5	3.0
200	750	1.5	2.0	2.5	3.0
200	900	1.5	2.0	2.5	3.0
200	1200	1.5	2.0	2.5	3.0

Note:

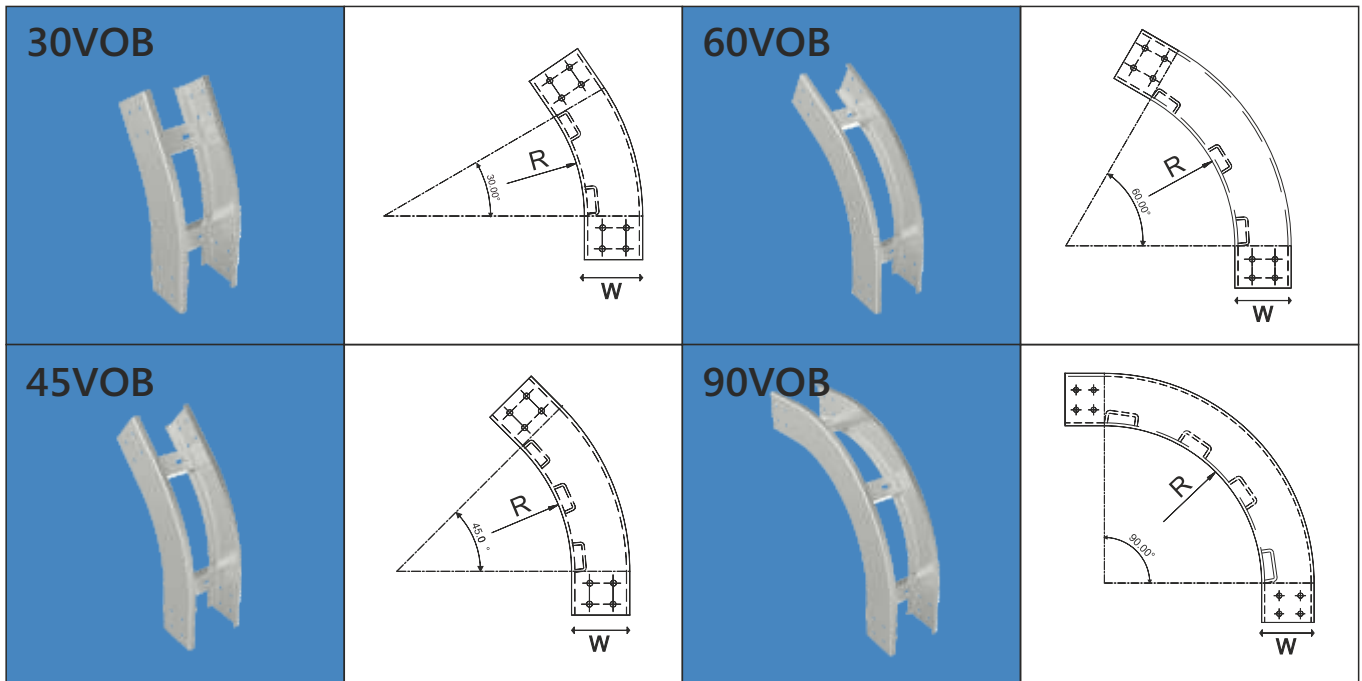
- Above all Sizes are standard, Tailor-made sizes can be manufactured.
- For Product code please refer page No xx

Ladder Cable Tray Accessories - (LCTA)

Vertical Outside Bend (Radial)

Type of Tray	Profile	Accessory Type	Width	Side Rail Height	Thk	Rung Type	Rung Dimension	Material	Finish	Radius
LCTA	IB	VOB30	Please refer below table	A- 50 x 15mm	Please refer below table	P	A- 15 x 35mm	MS	HD	R03
		VOB45		B- 50 x 20mm		I	B- 20 x 35mm	PG	PT	R04
	VOB60	C- 50 x 25mm		S		C- 15 x 40mm	AL	PC	R06	
	VOB90	D- 100 x 15mm				D- 20 x 40mm	S4	SC	R09	
		E- 100 x 20mm				E- 15 x 50mm	S6	PP	R12	
		F- 100 x 25mm				F- 20 x 50mm				
		G- 100 x 45mm								
		H- 150 x 20mm								
		I- 150 x 25mm								
		J- 175 x 25mm								

FOR Example:LCTA-IB-VOB30-200-A-2.0-P-A-MS-HD-R03



Height (mm)	Width (mm)	Thickness (mm)			
50	150	-	2.0	2.5	3.0
50	300	-	2.0	2.5	3.0
50	450	1.5	2.0	2.5	3.0
50	600	1.5	2.0	2.5	3.0
50	750	1.5	2.0	2.5	3.0
50	900	1.5	2.0	2.5	3.0
50	1200	1.5	2.0	2.5	3.0

Height (mm)	Width (mm)	Thickness (mm)			
150	150	-	2.0	2.5	3.0
150	300	-	2.0	2.5	3.0
150	450	1.5	2.0	2.5	3.0
150	600	1.5	2.0	2.5	3.0
150	750	1.5	2.0	2.5	3.0
150	900	1.5	2.0	2.5	3.0
150	1200	1.5	2.0	2.5	3.0

Height (mm)	Width (mm)	Thickness (mm)			
100	150	-	2.0	2.5	3.0
100	300	-	2.0	2.5	3.0
100	450	1.5	2.0	2.5	3.0
100	600	1.5	2.0	2.5	3.0
100	750	1.5	2.0	2.5	3.0
100	900	1.5	2.0	2.5	3.0
100	1200	1.5	2.0	2.5	3.0

Height (mm)	Width (mm)	Thickness (mm)			
200	150	-	2.0	2.5	3.0
200	300	-	2.0	2.5	3.0
200	450	1.5	2.0	2.5	3.0
200	600	1.5	2.0	2.5	3.0
200	750	1.5	2.0	2.5	3.0
200	900	1.5	2.0	2.5	3.0
200	1200	1.5	2.0	2.5	3.0

Note:

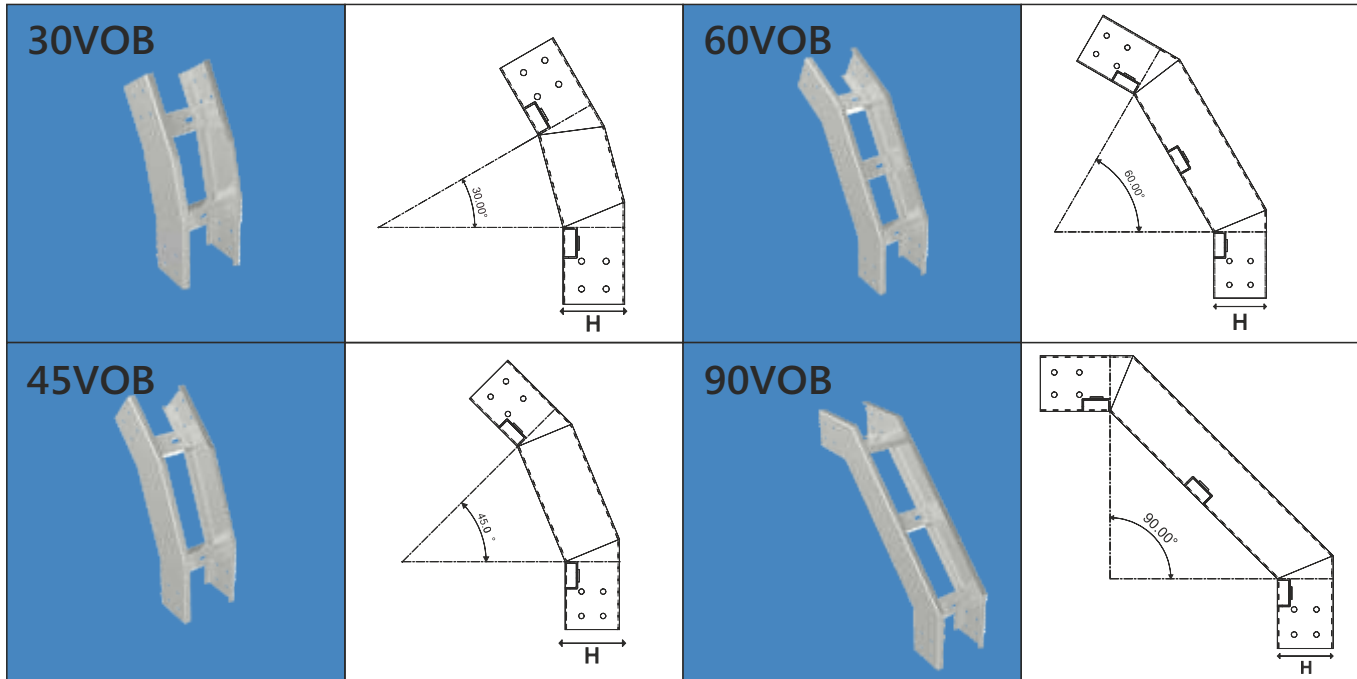
- Above all Sizes are standard, Tailor-made sizes can be manufactured.
- For Product code please refer page No xx

Ladder Cable Tray Accessories - (LCTA)

Vertical Outside Bend (Non-Radial)

Type of Tray	Profile	Accessory Type	Width	Side Rail Height	Thk	Rung Type	Rung Dimension	Material	Finish	Radius
LCTA	IB	VOB30	Please refer below table	A- 50 x 15mm	Please refer below table	P	A- 15 x 35mm	MS	HD	NR
				B- 50 x 20mm		I	B- 20 x 35mm	PG	PT	
	C- 50 x 25mm	S		C- 15 x 40mm		AL	PC			
	D- 100 x 15mm			D- 20 x 40mm		S4	SC			
	E- 100 x 20mm			E- 15 x 50mm		S6	PP			
	F- 100 x 25mm			F- 20 x 50mm						
	G- 100 x 45mm									
	H- 150 x 20mm									
	I- 150 x 25mm									
	J- 175 x 25mm									

FOR Example: LCTA-IB-VOB30-200-A-2.0-P-A-MS-HD-NR



Height (mm)	Width (mm)	Thickness (mm)			
50	150	-	2.0	2.5	3.0
50	300	-	2.0	2.5	3.0
50	450	1.5	2.0	2.5	3.0
50	600	1.5	2.0	2.5	3.0
50	750	1.5	2.0	2.5	3.0
50	900	1.5	2.0	2.5	3.0
50	1200	1.5	2.0	2.5	3.0

Height (mm)	Width (mm)	Thickness (mm)			
150	150	-	2.0	2.5	3.0
150	300	-	2.0	2.5	3.0
150	450	1.5	2.0	2.5	3.0
150	600	1.5	2.0	2.5	3.0
150	750	1.5	2.0	2.5	3.0
150	900	1.5	2.0	2.5	3.0
150	1200	1.5	2.0	2.5	3.0

Height (mm)	Width (mm)	Thickness (mm)			
100	150	-	2.0	2.5	3.0
100	300	-	2.0	2.5	3.0
100	450	1.5	2.0	2.5	3.0
100	600	1.5	2.0	2.5	3.0
100	750	1.5	2.0	2.5	3.0
100	900	1.5	2.0	2.5	3.0
100	1200	1.5	2.0	2.5	3.0

Height (mm)	Width (mm)	Thickness (mm)			
200	150	-	2.0	2.5	3.0
200	300	-	2.0	2.5	3.0
200	450	1.5	2.0	2.5	3.0
200	600	1.5	2.0	2.5	3.0
200	750	1.5	2.0	2.5	3.0
200	900	1.5	2.0	2.5	3.0
200	1200	1.5	2.0	2.5	3.0

Note:

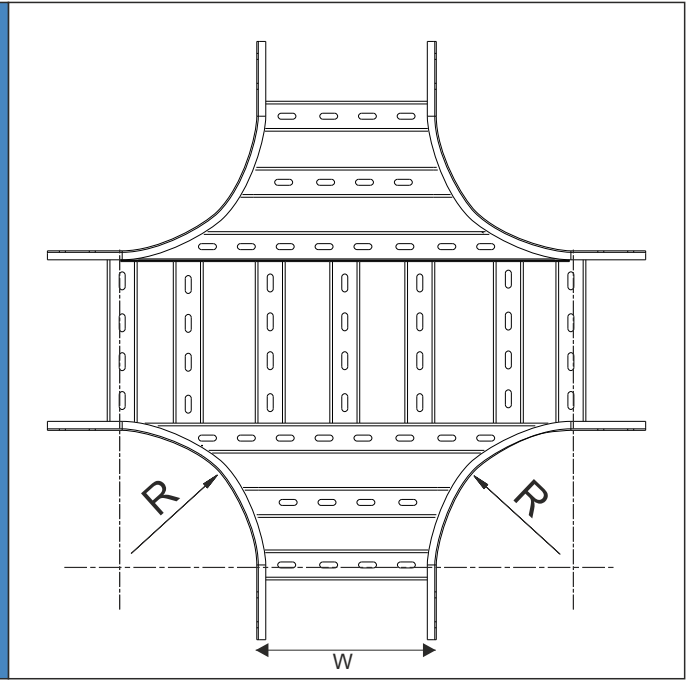
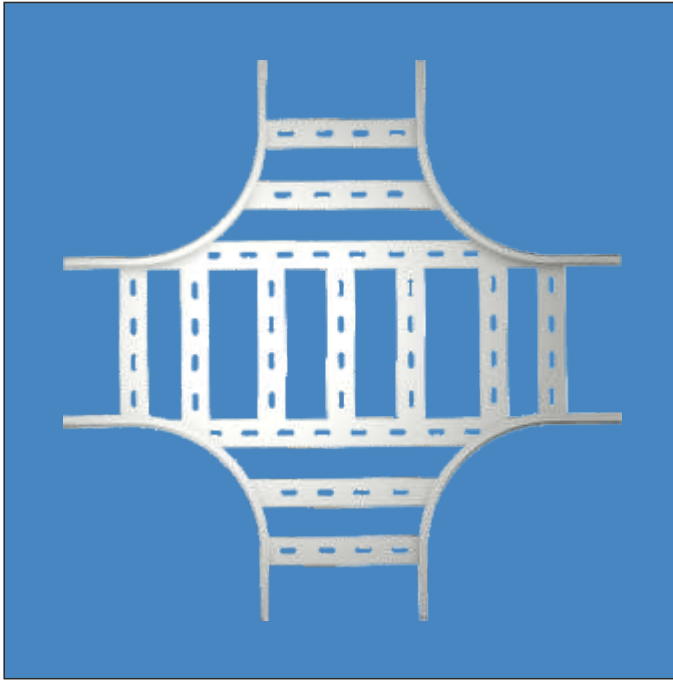
- Above all Sizes are standard, Tailor-made sizes can be manufactured.
- For Product code please refer page No xx

Ladder Cable Tray Accessories - (LCTA)

Horizontal Cross (Radial)

Type of Tray	Profile	Accessory Type	Width	Side Rail Height	Thk	Rung Type	Rung Dimension	Material	Finish	Radius
LCTA	IB	CR	Please refer below table	A- 50 x 15mm	Please refer below table	P	A- 15 x 35mm	MS	HD	R03
				B- 50 x 20mm		I	B- 20 x 35mm	PG	PT	R04
	C- 50 x 25mm			S		C- 15 x 40mm	AL	PC	R06	
	D- 100 x 15mm					D- 20 x 40mm	S4	SC	R09	
	E- 100 x 20mm					E- 15 x 50mm	S6	PP	R12	
	F- 100 x 25mm					F- 20 x 50mm				
	G- 100 x 45mm									
	H- 150 x 20mm									
	I- 150 x 25mm									
	J- 175 x 25mm									

FOR Example:LCTA-IB-CR-200-A-2.0-P-A-MS-HD-R03



Height (mm)	Width (mm)	Thickness (mm)			
50	150	-	2.0	2.5	3.0
50	300	-	2.0	2.5	3.0
50	450	1.5	2.0	2.5	3.0
50	600	1.5	2.0	2.5	3.0
50	750	1.5	2.0	2.5	3.0
50	900	1.5	2.0	2.5	3.0
50	1200	1.5	2.0	2.5	3.0

Height (mm)	Width (mm)	Thickness (mm)			
150	150	-	2.0	2.5	3.0
150	300	-	2.0	2.5	3.0
150	450	1.5	2.0	2.5	3.0
150	600	1.5	2.0	2.5	3.0
150	750	1.5	2.0	2.5	3.0
150	900	1.5	2.0	2.5	3.0
150	1200	1.5	2.0	2.5	3.0

Height (mm)	Width (mm)	Thickness (mm)			
100	150	-	2.0	2.5	3.0
100	300	-	2.0	2.5	3.0
100	450	1.5	2.0	2.5	3.0
100	600	1.5	2.0	2.5	3.0
100	750	1.5	2.0	2.5	3.0
100	900	1.5	2.0	2.5	3.0
100	1200	1.5	2.0	2.5	3.0

Height (mm)	Width (mm)	Thickness (mm)			
200	150	-	2.0	2.5	3.0
200	300	-	2.0	2.5	3.0
200	450	1.5	2.0	2.5	3.0
200	600	1.5	2.0	2.5	3.0
200	750	1.5	2.0	2.5	3.0
200	900	1.5	2.0	2.5	3.0
200	1200	1.5	2.0	2.5	3.0

Note:

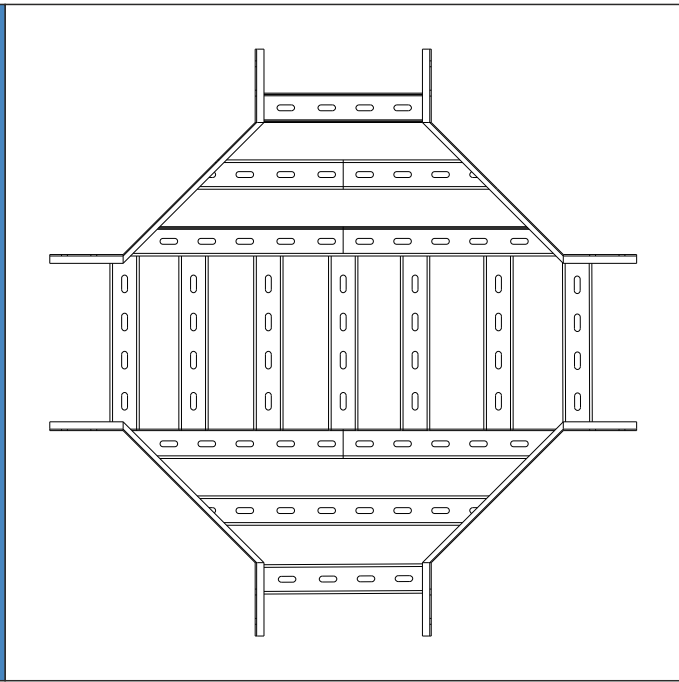
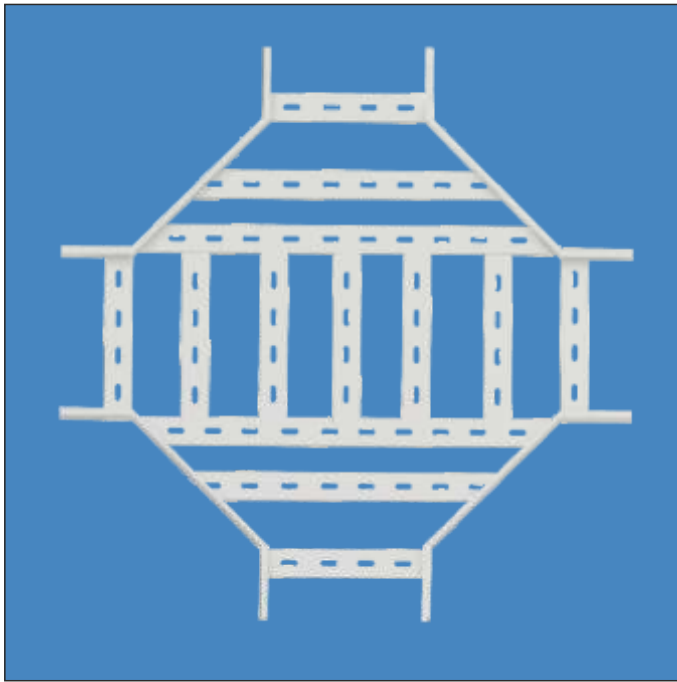
- Above all Sizes are standard, Tailor-made sizes can be manufactured.
- For Product code please refer page No xx

Ladder Cable Tray Accessories - (LCTA)

Horizontal Cross (Non-Radial)

Type of Tray	Profile	Accessory Type	Width	Side Rail Height	Thk	Rung Type	Rung Dimension	Material	Finish	Radius
LCTA	IB	CR	Please refer below table	A- 50 x 15mm	Please refer below table	P	A- 15 x 35mm	MS	HD	NR
				B- 50 x 20mm		I	B- 20 x 35mm	PG	PT	
	C- 50 x 25mm			S		C- 15 x 40mm	AL	PC		
	D- 100 x 15mm					D- 20 x 40mm	S4	SC		
	E- 100 x 20mm					E- 15 x 50mm	S6	PP		
	F- 100 x 25mm					F- 20 x 50mm				
	G- 100 x 45mm									
	H- 150 x 20mm									
	I- 150 x 25mm									
	J- 175 x 25mm									

FOR Example: LCTA-IB-CR-200-A-2.0-P-A-MS-HD-NR



Height (mm)	Width (mm)	Thickness (mm)			
50	150	-	2.0	2.5	3.0
50	300	-	2.0	2.5	3.0
50	450	1.5	2.0	2.5	3.0
50	600	1.5	2.0	2.5	3.0
50	750	1.5	2.0	2.5	3.0
50	900	1.5	2.0	2.5	3.0
50	1200	1.5	2.0	2.5	3.0

Height (mm)	Width (mm)	Thickness (mm)			
150	150	-	2.0	2.5	3.0
150	300	-	2.0	2.5	3.0
150	450	1.5	2.0	2.5	3.0
150	600	1.5	2.0	2.5	3.0
150	750	1.5	2.0	2.5	3.0
150	900	1.5	2.0	2.5	3.0
150	1200	1.5	2.0	2.5	3.0

Height (mm)	Width (mm)	Thickness (mm)			
100	150	-	2.0	2.5	3.0
100	300	-	2.0	2.5	3.0
100	450	1.5	2.0	2.5	3.0
100	600	1.5	2.0	2.5	3.0
100	750	1.5	2.0	2.5	3.0
100	900	1.5	2.0	2.5	3.0
100	1200	1.5	2.0	2.5	3.0

Height (mm)	Width (mm)	Thickness (mm)			
200	150	-	2.0	2.5	3.0
200	300	-	2.0	2.5	3.0
200	450	1.5	2.0	2.5	3.0
200	600	1.5	2.0	2.5	3.0
200	750	1.5	2.0	2.5	3.0
200	900	1.5	2.0	2.5	3.0
200	1200	1.5	2.0	2.5	3.0

Note:

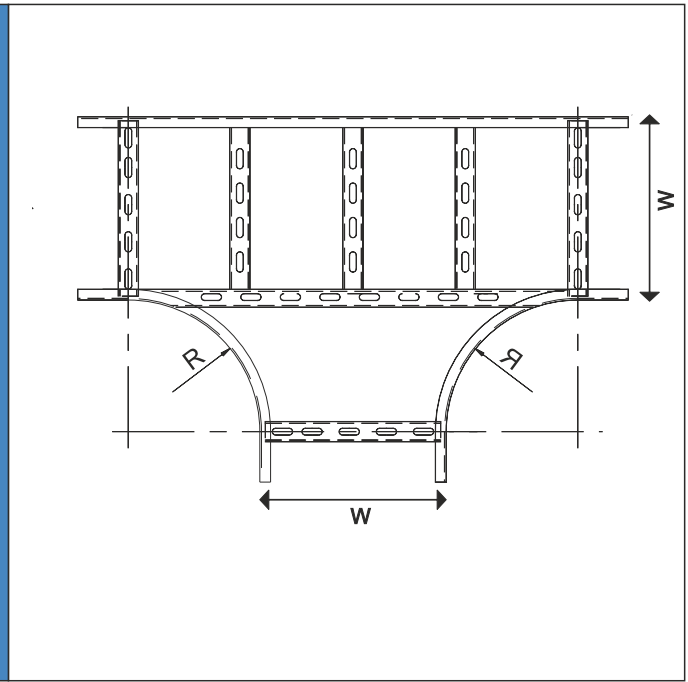
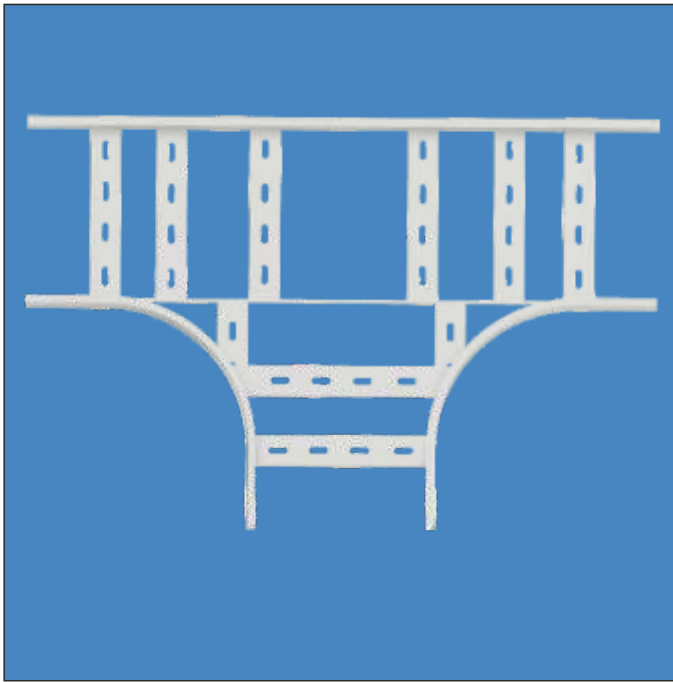
- Above all Sizes are standard, Tailor-made sizes can be manufactured.
- For Product code please refer page No xx

Ladder Cable Tray Accessories - (LCTA)

Horizontal Tee Equal (Radial)

Type of Tray	Profile	Accessory Type	Width	Side Rail Height	Thk	Rung Type	Rung Dimension	Material	Finish	Radius
LCTA	IB	TEE	Please refer below table	A- 50 x 15mm	Please refer below table	P	A- 15 x 35mm	MS	HD	R03
				B- 50 x 20mm		I	B- 20 x 35mm	PG	PT	R04
	C- 50 x 25mm			S		C- 15 x 40mm	AL	PC	R06	
	D- 100 x 15mm					D- 20 x 40mm	S4	SC	R09	
	E- 100 x 20mm					E- 15 x 50mm	S6	PP	R12	
	F- 100 x 25mm					F- 20 x 50mm				
	G- 100 x 45mm									
	H- 150 x 20mm									
	I- 150 x 25mm									
	J- 175 x 25mm									

FOR Example:LCTA-IB-TEE-200-A-2.0-P-A-MS-HD-R03



Height (mm)	Width (mm)	Thickness (mm)			
50	150	-	2.0	2.5	3.0
50	300	-	2.0	2.5	3.0
50	450	1.5	2.0	2.5	3.0
50	600	1.5	2.0	2.5	3.0
50	750	1.5	2.0	2.5	3.0
50	900	1.5	2.0	2.5	3.0
50	1200	1.5	2.0	2.5	3.0

Height (mm)	Width (mm)	Thickness (mm)			
150	150	-	2.0	2.5	3.0
150	300	-	2.0	2.5	3.0
150	450	1.5	2.0	2.5	3.0
150	600	1.5	2.0	2.5	3.0
150	750	1.5	2.0	2.5	3.0
150	900	1.5	2.0	2.5	3.0
150	1200	1.5	2.0	2.5	3.0

Height (mm)	Width (mm)	Thickness (mm)			
100	150	-	2.0	2.5	3.0
100	300	-	2.0	2.5	3.0
100	450	1.5	2.0	2.5	3.0
100	600	1.5	2.0	2.5	3.0
100	750	1.5	2.0	2.5	3.0
100	900	1.5	2.0	2.5	3.0
100	1200	1.5	2.0	2.5	3.0

Height (mm)	Width (mm)	Thickness (mm)			
200	150	-	2.0	2.5	3.0
200	300	-	2.0	2.5	3.0
200	450	1.5	2.0	2.5	3.0
200	600	1.5	2.0	2.5	3.0
200	750	1.5	2.0	2.5	3.0
200	900	1.5	2.0	2.5	3.0
200	1200	1.5	2.0	2.5	3.0

Note:

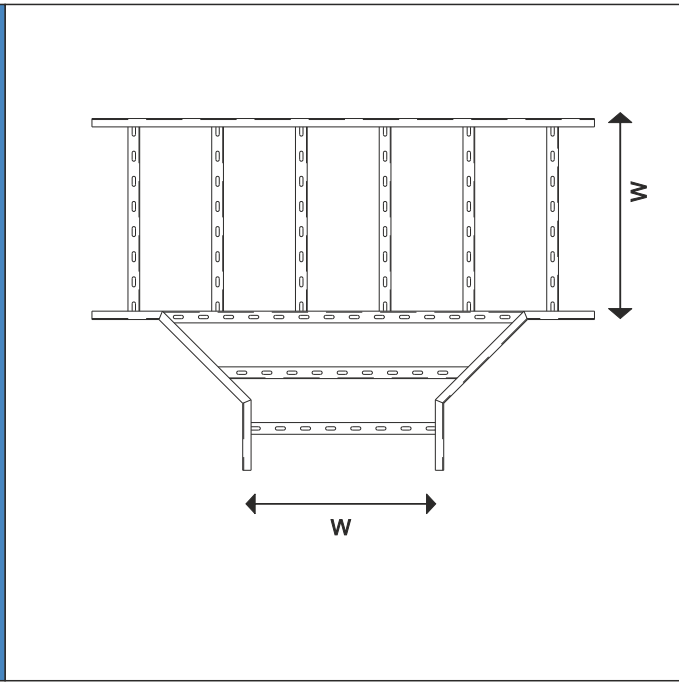
1. Above all Sizes are standard, Tailor-made sizes can be manufactured.
2. For Product code please refer page No xx

Ladder Cable Tray Accessories - (LCTA)

Horizontal Tee Equal (Non-Radial)

Type of Tray	Profile	Accessory Type	Width	Side Rail Height	Thk	Rung Type	Rung Dimension	Material	Finish	Radius
LCTA	IB	TEE	Please refer below table	A- 50 x 15mm	Please refer below table	P	A- 15 x 35mm	MS	HD	NR
				B- 50 x 20mm		I	B- 20 x 35mm	PG	PT	
	C- 50 x 25mm			S		C- 15 x 40mm	AL	PC		
	D- 100 x 15mm					D- 20 x 40mm	S4	SC		
	E- 100 x 20mm					E- 15 x 50mm	S6	PP		
	F- 100 x 25mm					F- 20 x 50mm				
	G- 100 x 45mm									
	H- 150 x 20mm									
	I- 150 x 25mm									
	J- 175 x 25mm									

FOR Example: LCTA-IB-TEE-200-A-2.0-P-A-MS-HD-NR



Height (mm)	Width (mm)	Thickness (mm)			
50	150	-	2.0	2.5	3.0
50	300	-	2.0	2.5	3.0
50	450	1.5	2.0	2.5	3.0
50	600	1.5	2.0	2.5	3.0
50	750	1.5	2.0	2.5	3.0
50	900	1.5	2.0	2.5	3.0
50	1200	1.5	2.0	2.5	3.0

Height (mm)	Width (mm)	Thickness (mm)			
150	150	-	2.0	2.5	3.0
150	300	-	2.0	2.5	3.0
150	450	1.5	2.0	2.5	3.0
150	600	1.5	2.0	2.5	3.0
150	750	1.5	2.0	2.5	3.0
150	900	1.5	2.0	2.5	3.0
150	1200	1.5	2.0	2.5	3.0

Height (mm)	Width (mm)	Thickness (mm)			
100	150	-	2.0	2.5	3.0
100	300	-	2.0	2.5	3.0
100	450	1.5	2.0	2.5	3.0
100	600	1.5	2.0	2.5	3.0
100	750	1.5	2.0	2.5	3.0
100	900	1.5	2.0	2.5	3.0
100	1200	1.5	2.0	2.5	3.0

Height (mm)	Width (mm)	Thickness (mm)			
200	150	-	2.0	2.5	3.0
200	300	-	2.0	2.5	3.0
200	450	1.5	2.0	2.5	3.0
200	600	1.5	2.0	2.5	3.0
200	750	1.5	2.0	2.5	3.0
200	900	1.5	2.0	2.5	3.0
200	1200	1.5	2.0	2.5	3.0

Note:

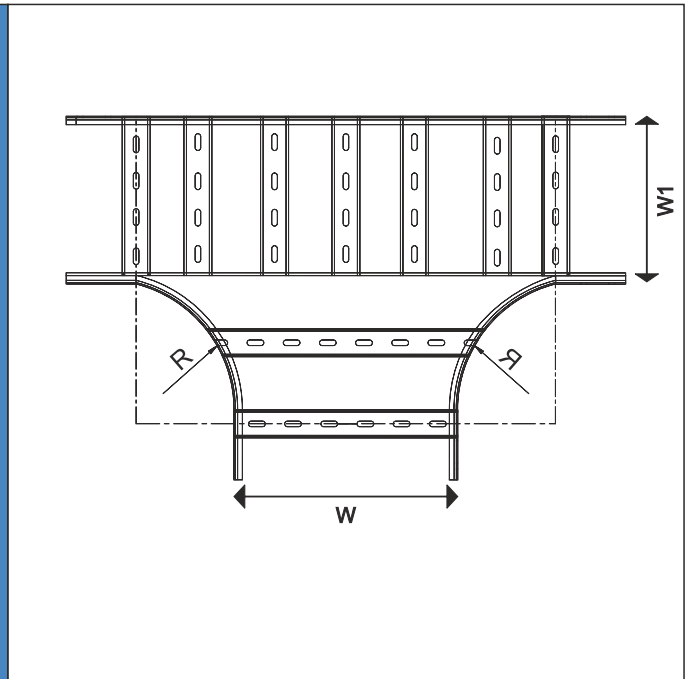
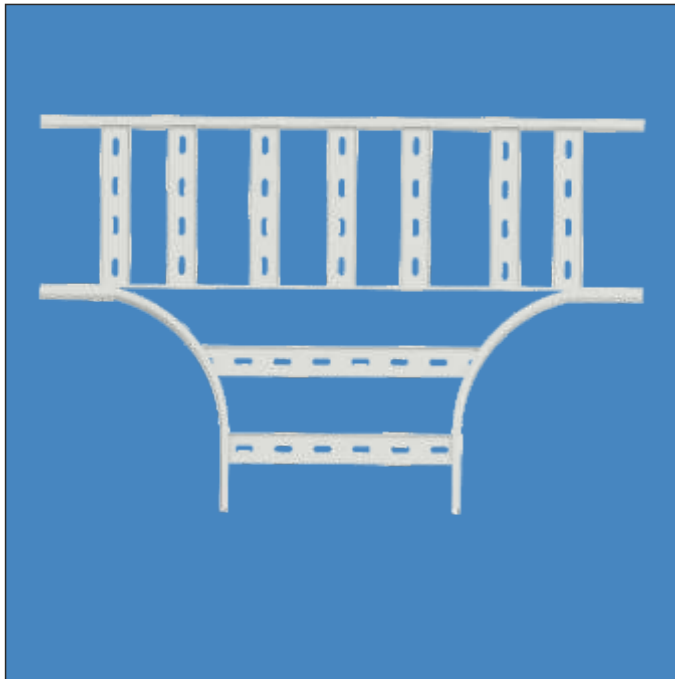
- Above all Sizes are standard, Tailor-made sizes can be manufactured.
- For Product code please refer page No xx

Ladder Cable Tray Accessories - (LCTA)

Horizontal Tee Unequal(Radial)

Type of Tray	Profile	Accessory Type	Width	Side Rail Height	Thk	Rung Type	Rung Dimension	Material	Finish	Radius
LCTA	IB	UTEE	Please refer below table	A- 50 x 15mm	Please refer below table	P	A- 15 x 35mm	MS	HD	R03
				B- 50 x 20mm		I	B- 20 x 35mm	PG	PT	R04
	C- 50 x 25mm			S		C- 15 x 40mm	AL	PC	R06	
	D- 100 x 15mm					D- 20 x 40mm	S4	SC	R09	
	E- 100 x 20mm					E- 15 x 50mm	S6	PP	R12	
	F- 100 x 25mm					F- 20 x 50mm				
	G- 100 x 45mm									
	H- 150 x 20mm									
	I- 150 x 25mm									
	J- 175 x 25mm									

FOR Example:LCTA-IB-UTEE-200-A-2.0-P-A-MS-HD-R03



Height (mm)	Width (mm)	Thickness (mm)			
50	150	-	2.0	2.5	3.0
50	300	-	2.0	2.5	3.0
50	450	1.5	2.0	2.5	3.0
50	600	1.5	2.0	2.5	3.0
50	750	1.5	2.0	2.5	3.0
50	900	1.5	2.0	2.5	3.0
50	1200	1.5	2.0	2.5	3.0

Height (mm)	Width (mm)	Thickness (mm)			
150	150	-	2.0	2.5	3.0
150	300	-	2.0	2.5	3.0
150	450	1.5	2.0	2.5	3.0
150	600	1.5	2.0	2.5	3.0
150	750	1.5	2.0	2.5	3.0
150	900	1.5	2.0	2.5	3.0
150	1200	1.5	2.0	2.5	3.0

Height (mm)	Width (mm)	Thickness (mm)			
100	150	-	2.0	2.5	3.0
100	300	-	2.0	2.5	3.0
100	450	1.5	2.0	2.5	3.0
100	600	1.5	2.0	2.5	3.0
100	750	1.5	2.0	2.5	3.0
100	900	1.5	2.0	2.5	3.0
100	1200	1.5	2.0	2.5	3.0

Height (mm)	Width (mm)	Thickness (mm)			
200	150	-	2.0	2.5	3.0
200	300	-	2.0	2.5	3.0
200	450	1.5	2.0	2.5	3.0
200	600	1.5	2.0	2.5	3.0
200	750	1.5	2.0	2.5	3.0
200	900	1.5	2.0	2.5	3.0
200	1200	1.5	2.0	2.5	3.0

Note:

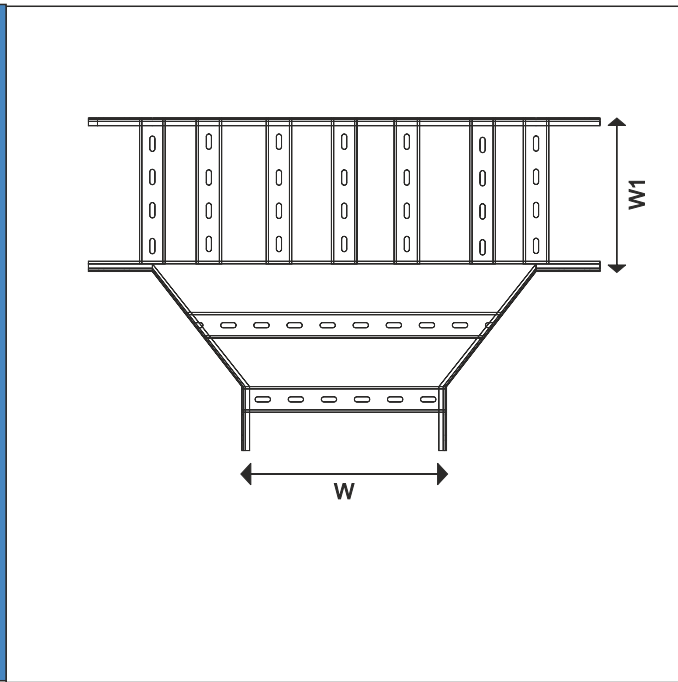
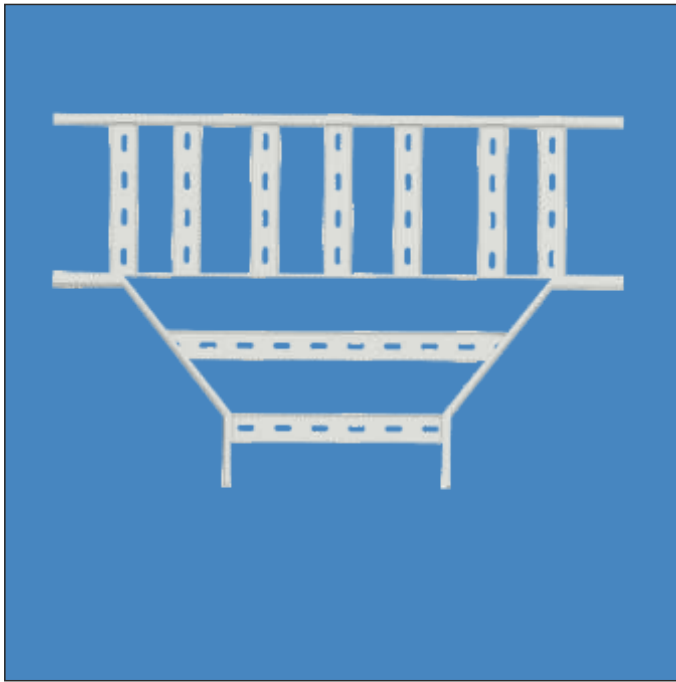
- Above all Sizes are standard, Tailor-made sizes can be manufactured.
- For Product code please refer page No xx

Ladder Cable Tray Accessories - (LCTA)

Horizontal Tee Unequal (Non-Radial)

Type of Tray	Profile	Accessory Type	Width	Side Rail Height	Thk	Rung Type	Rung Dimension	Material	Finish	Radius
LCTA	IB	UTEE	Please refer below table	A- 50 x 15mm	Please refer below table	P	A- 15 x 35mm	MS	HD	NR
				B- 50 x 20mm		I	B- 20 x 35mm	PG	PT	
	C- 50 x 25mm			S		C- 15 x 40mm	AL	PC		
	D- 100 x 15mm					D- 20 x 40mm	S4	SC		
	E- 100 x 20mm					E- 15 x 50mm	S6	PP		
	F- 100 x 25mm					F- 20 x 50mm				
	G- 100 x 45mm									
	H- 150 x 20mm									
	I- 150 x 25mm									
	J- 175 x 25mm									

FOR Example:LCTA-IB-UTEE-200-A-2.0-P-A-MS-HD-NR



Height (mm)	Width (mm)	Thickness (mm)			
50	150	-	2.0	2.5	3.0
50	300	-	2.0	2.5	3.0
50	450	1.5	2.0	2.5	3.0
50	600	1.5	2.0	2.5	3.0
50	750	1.5	2.0	2.5	3.0
50	900	1.5	2.0	2.5	3.0
50	1200	1.5	2.0	2.5	3.0

Height (mm)	Width (mm)	Thickness (mm)			
150	150	-	2.0	2.5	3.0
150	300	-	2.0	2.5	3.0
150	450	1.5	2.0	2.5	3.0
150	600	1.5	2.0	2.5	3.0
150	750	1.5	2.0	2.5	3.0
150	900	1.5	2.0	2.5	3.0
150	1200	1.5	2.0	2.5	3.0

Height (mm)	Width (mm)	Thickness (mm)			
100	150	-	2.0	2.5	3.0
100	300	-	2.0	2.5	3.0
100	450	1.5	2.0	2.5	3.0
100	600	1.5	2.0	2.5	3.0
100	750	1.5	2.0	2.5	3.0
100	900	1.5	2.0	2.5	3.0
100	1200	1.5	2.0	2.5	3.0

Height (mm)	Width (mm)	Thickness (mm)			
200	150	-	2.0	2.5	3.0
200	300	-	2.0	2.5	3.0
200	450	1.5	2.0	2.5	3.0
200	600	1.5	2.0	2.5	3.0
200	750	1.5	2.0	2.5	3.0
200	900	1.5	2.0	2.5	3.0
200	1200	1.5	2.0	2.5	3.0

Note:

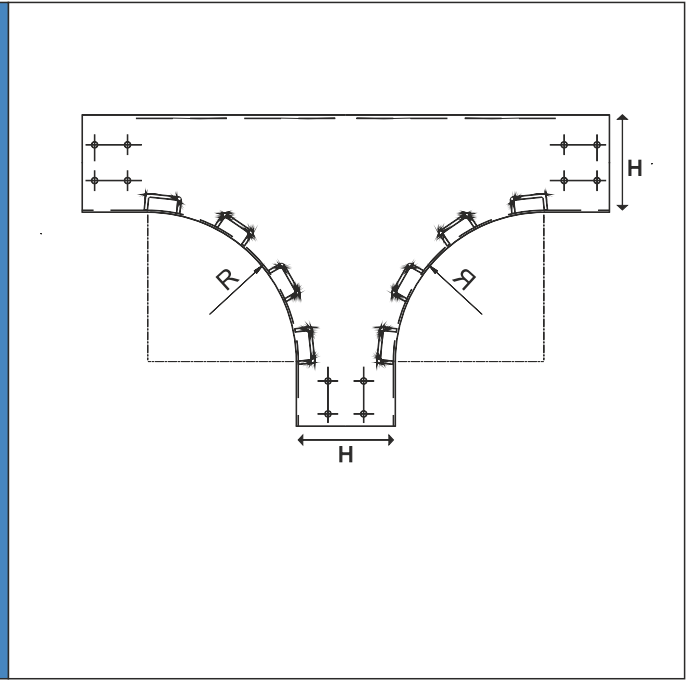
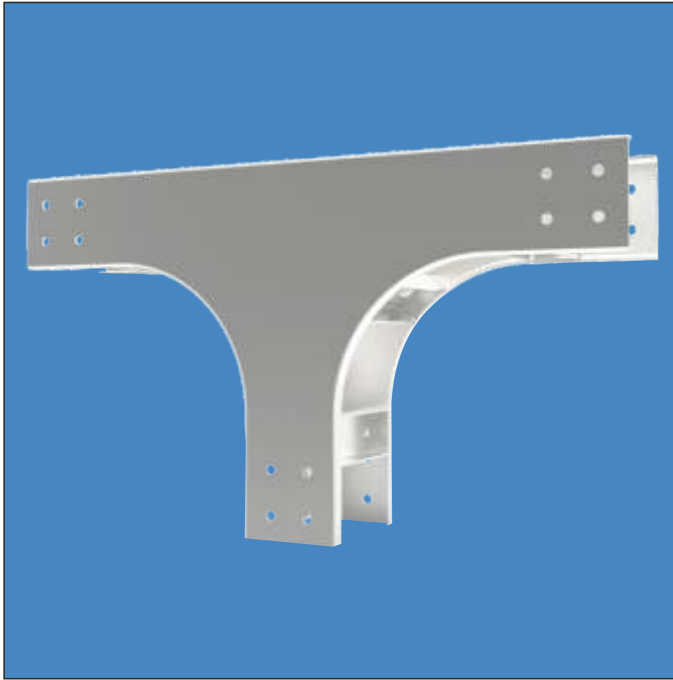
1. Above all Sizes are standard, Tailor-made sizes can be manufactured.
2. For Product code please refer page No xx

Ladder Cable Tray Accessories - (LCTA)

Vertical Tee (Radial)

Type of Tray	Profile	Accessory Type	Width	Side Rail Height	Thk	Rung Type	Rung Dimension	Material	Finish	Radius
LCTA	IB	VTEE	Please refer below table	A- 50 x 15mm	Please refer below table	P	A- 15 x 35mm	MS	HD	R03
				B- 50 x 20mm		I	B- 20 x 35mm	PG	PT	R04
	C- 50 x 25mm			S		C- 15 x 40mm	AL	PC	R06	
	D- 100 x 15mm					D- 20 x 40mm	S4	SC	R09	
	E- 100 x 20mm					E- 15 x 50mm	S6	PP	R12	
	F- 100 x 25mm					F- 20 x 50mm				
	G- 100 x 45mm									
	H- 150 x 20mm									
	I- 150 x 25mm									
	J- 175 x 25mm									

FOR Example: LCTA-IB-VTEE-200-A-2.0-P-A-MS-HD-R03



Height (mm)	Width (mm)	Thickness (mm)			
50	150	-	2.0	2.5	3.0
50	300	-	2.0	2.5	3.0
50	450	1.5	2.0	2.5	3.0
50	600	1.5	2.0	2.5	3.0
50	750	1.5	2.0	2.5	3.0
50	900	1.5	2.0	2.5	3.0
50	1200	1.5	2.0	2.5	3.0

Height (mm)	Width (mm)	Thickness (mm)			
150	150	-	2.0	2.5	3.0
150	300	-	2.0	2.5	3.0
150	450	1.5	2.0	2.5	3.0
150	600	1.5	2.0	2.5	3.0
150	750	1.5	2.0	2.5	3.0
150	900	1.5	2.0	2.5	3.0
150	1200	1.5	2.0	2.5	3.0

Height (mm)	Width (mm)	Thickness (mm)			
100	150	-	2.0	2.5	3.0
100	300	-	2.0	2.5	3.0
100	450	1.5	2.0	2.5	3.0
100	600	1.5	2.0	2.5	3.0
100	750	1.5	2.0	2.5	3.0
100	900	1.5	2.0	2.5	3.0
100	1200	1.5	2.0	2.5	3.0

Height (mm)	Width (mm)	Thickness (mm)			
200	150	-	2.0	2.5	3.0
200	300	-	2.0	2.5	3.0
200	450	1.5	2.0	2.5	3.0
200	600	1.5	2.0	2.5	3.0
200	750	1.5	2.0	2.5	3.0
200	900	1.5	2.0	2.5	3.0
200	1200	1.5	2.0	2.5	3.0

Note:

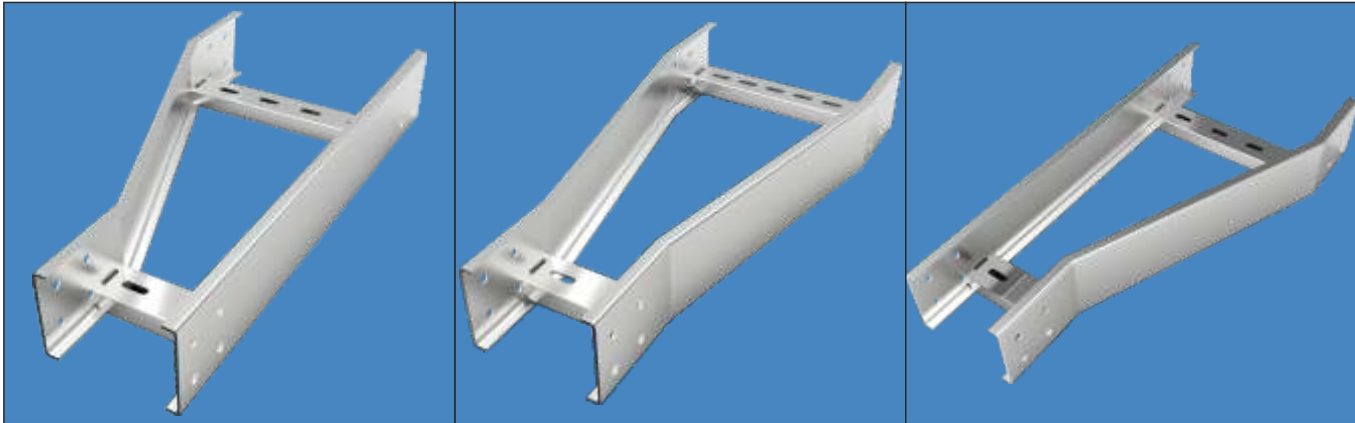
1. Above all Sizes are standard, Tailor-made sizes can be manufactured.
2. For Product code please refer page No xx

Ladder Cable Tray Accessories - (LCTA)

Reducer

Type of Tray	Profile	Accessory Type	Width	Side Rail Height	Thk	Rung Type	Rung Dimension	Material	Finish	Radius
LCTA	IB	REDR	Please refer below table	A- 50 x 15mm	Please refer below table	P	A- 15 x 35mm	MS	HD	R03
		REDL		B- 50 x 20mm		I	B- 20 x 35mm	PG	PT	R04
	REDC	C- 50 x 25mm		S		C- 15 x 40mm	AL	PC	R06	
	D- 100 x 15mm	D- 20 x 40mm		S4		SC	R09			
	E- 100 x 20mm	E- 15 x 50mm		S6		PP	R12			
	F- 100 x 25mm	F- 20 x 50mm								
	G- 100 x 45mm									
	H- 150 x 20mm									
	I- 150 x 25mm									
	J- 175 x 25mm									

FOR Example: LCT-REDL-200-A-2.0-3000-P-A-300-MS-HD



Height (mm)	Width (mm)	Width W2 (mm)							Thickness (mm)			
50	150	100	-	-	-	-	-	-	1.5	2.0	2.5	3.0
50	300	100	150	200	-	-	-	-	1.5	2.0	2.5	3.0
50	450	100	150	200	300	-	-	-	1.5	2.0	2.5	3.0
50	600	100	150	200	300	450	-	-	1.5	2.0	2.5	3.0
50	750	100	150	200	300	450	600	-	1.5	2.0	2.5	3.0
50	900	100	150	200	300	450	600	750	1.5	2.0	2.5	3.0

Height (mm)	Width (mm)	Width W2 (mm)							Thickness (mm)			
100	150	100	-	-	-	-	-	-	1.5	2.0	2.5	3.0
100	300	100	150	200	-	-	-	-	1.5	2.0	2.5	3.0
100	450	100	150	200	300	-	-	-	1.5	2.0	2.5	3.0
100	600	100	150	200	300	450	-	-	1.5	2.0	2.5	3.0
100	750	100	150	200	300	450	600	-	1.5	2.0	2.5	3.0
100	900	100	150	200	300	450	600	750	1.5	2.0	2.5	3.0

Height (mm)	Width (mm)	Width W2 (mm)							Thickness (mm)			
150	150	100	-	-	-	-	-	-	1.5	2.0	2.5	3.0
150	300	100	150	200	-	-	-	-	1.5	2.0	2.5	3.0
150	450	100	150	200	300	-	-	-	1.5	2.0	2.5	3.0
150	600	100	150	200	300	450	-	-	1.5	2.0	2.5	3.0
150	750	100	150	200	300	450	600	-	1.5	2.0	2.5	3.0
150	900	100	150	200	300	450	600	750	1.5	2.0	2.5	3.0

Note:

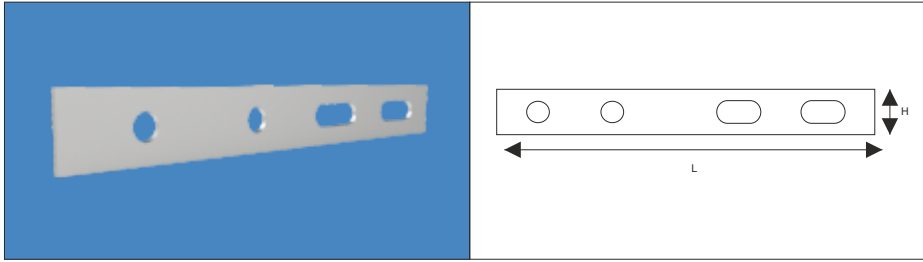
1. Above all Sizes are standard, Tailor-made sizes can be manufactured.
2. For Product code please refer page No xx

Ladder Type Cable tray Coupler Plate

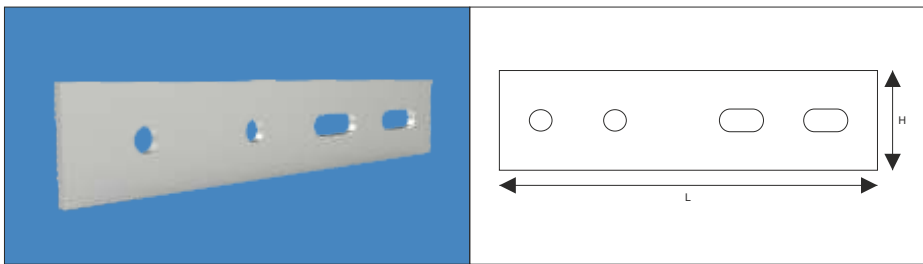
Coupler Plate

Type of Tray	Width	Height	Thk	Material	Finish	Hardware
STC	Please refer below table			MS	BK	4-4 No. of M8 Nut and Bplt
				PG	HD	8-8 No. of M8 Nut and Bplt
				AL	PT	
				S4	PC	
				S6	SC	

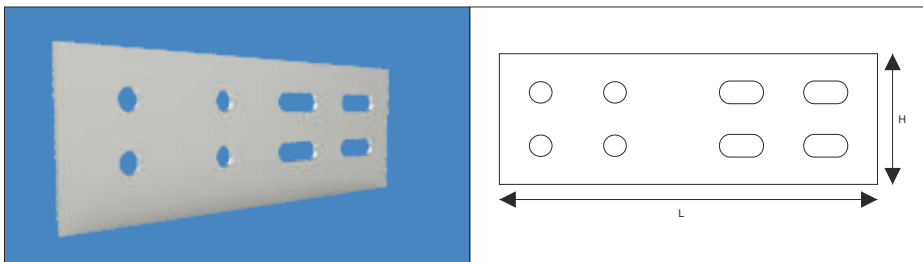
FOR Example:STC-050-025-2.0-210-MS-HD



Length (mm)	Height (mm)	Thickness (mm)				
210	25	1.5	2.0	2.5	3.0	3.2



Length (mm)	Height (mm)	Thickness (mm)				
210	40	1.5	2.0	2.5	3.0	3.2



Length (mm)	Height (mm)	Thickness (mm)				
210	70	1.5	2.0	2.5	3.0	3.2

Note:

- Above all Sizes are standard, Tailor-made sizes can be manufactured.
- For Product code please refer page No xx

Tray Cover- (TC)

NOMENCLATURE

TC	Pt00	200	015	1.0	3000	MS	HD			
I	II	III	IV	V	VI	VII	VIII			

- I. Basic Designation
TC - Tray Cover
- II. Profile Type
 - PT00 - Plain type
 - VT00 - Ventilated Type
 - LT00 - Louvre Type
 - DF00 - Dome Faced
 - DS00 - Dome Faced with spacing
- III. Width

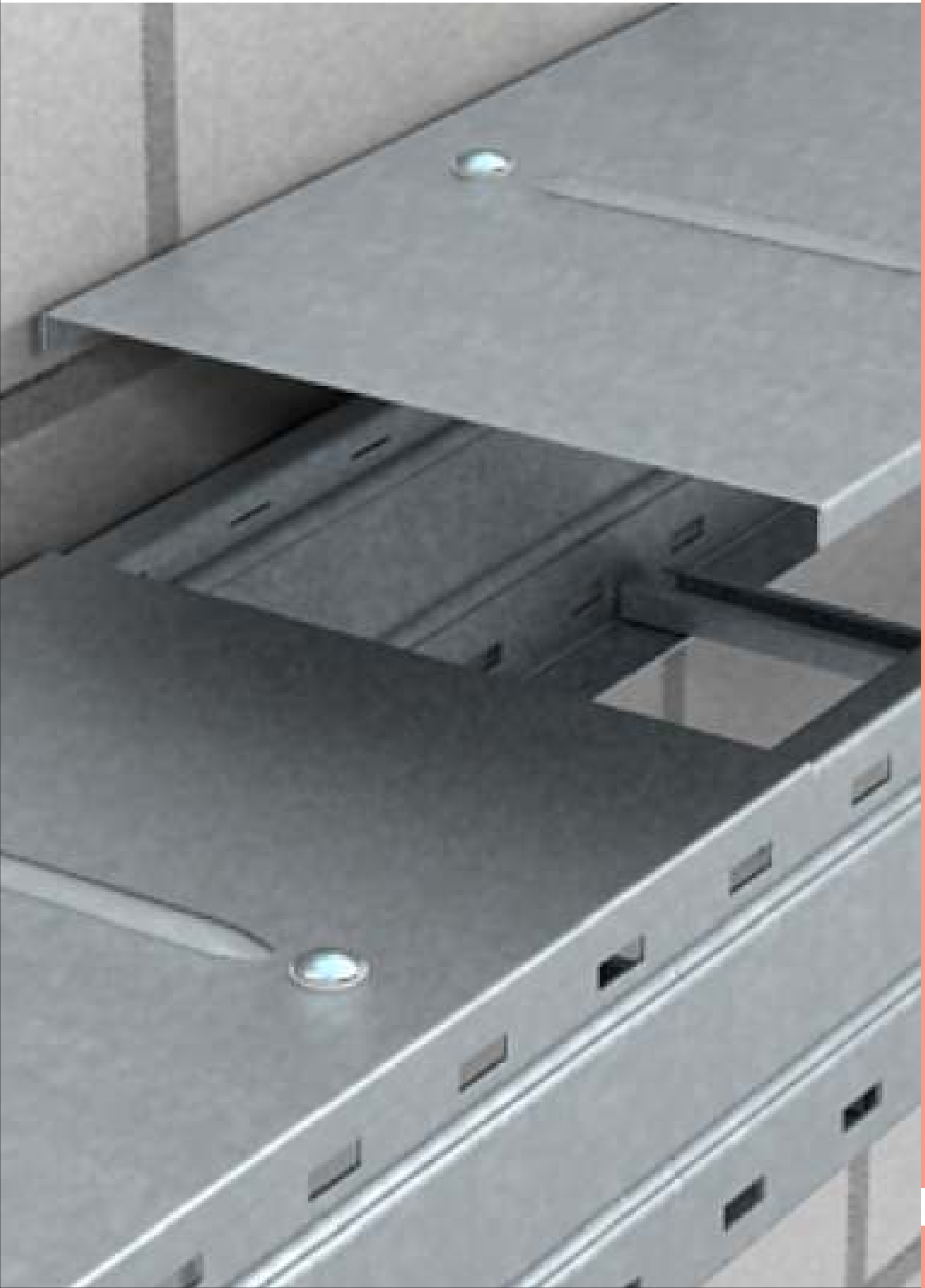
- 050 - 50mm	- 200 - 200mm	- 600 - 600mm
- 100 - 100mm	- 300 - 300mm	- 750 - 750mm
- 150 - 150mm	- 450 - 450mm	- 900 - 900mm
- IV. Height
 - 15 - 15mm
- V. Thickness

- 1.0 - 1.0mm	- 1.5 - 1.5mm	- 2.5 - 2.5mm
- 1.2 - 1.2mm	- 2.0 - 2.0mm	- 3.0 - 3.0mm
- VI. Length

- 2500 - 2500mm	- 3000 - 3000mm	
-----------------	-----------------	--
- VII. Material

- MS - Mild Steel	- S4 - Stainless Steel 304	
- S4 - Stainless Steel 304	- AL - Aluminium	
- PG - Pre-Galvanized		
- FRP - Fibre Glass Reinforced plastic		
- VIII. Finish

- HD - Hot-Dip Galvanization	- PT - Painted	
- PC - Powder coated	- SC - Self Colour	
- PP - Pickling & passivation		

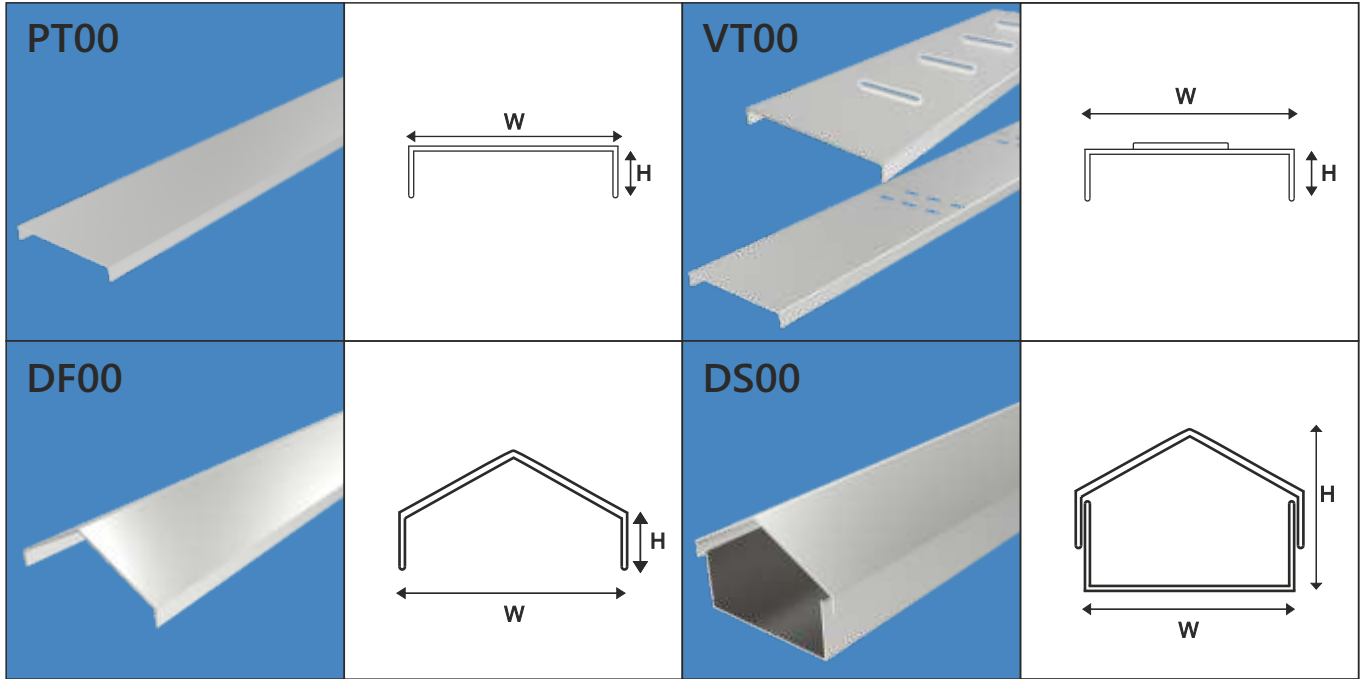


Tray Cover- (TC)

Cable Tray Cover

Type of Tray	Profile	Width	Height	Thk	Length	Material	Finish
TC	PT00	Please refer below table			2500	MS	HD
	VT00				3000	PG	PT
	DF00					AL	PC
	DS00					S4	SC
						S6	PP

FOR Example:TC-PT00-050-015-2.0-2500-MS-HD



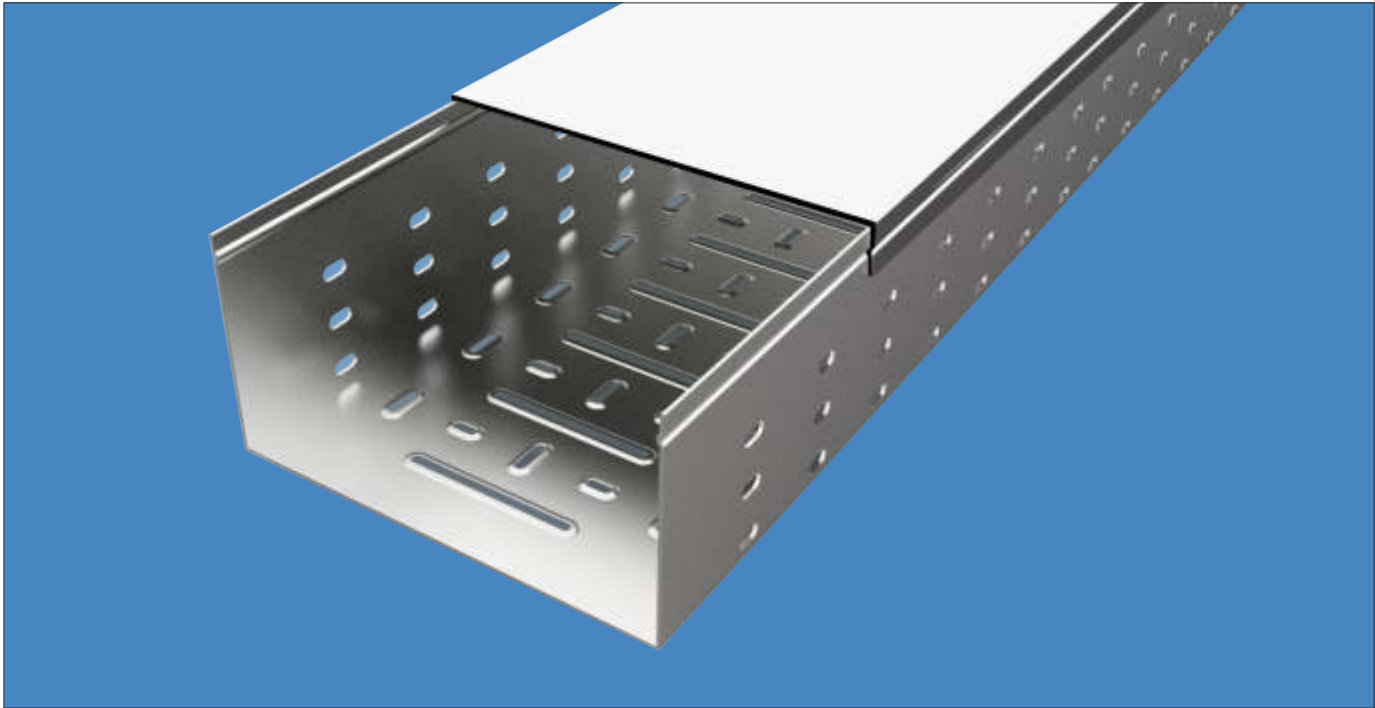
Height (mm)	Width (mm)	Thickness (mm)				
15	50	1.0	1.2	1.5	-	-
15	100	1.0	1.2	1.5	-	-
15	150	1.0	1.2	1.5	-	-
15	300	1.0	1.2	1.5	-	-
15	450	-	1.2	1.5	2.0	-
15	600	-	1.2	1.5	2.0	2.5
15	750	-	-	1.5	2.0	2.5
15	900	-	-	1.5	2.0	2.5
20	600	-	-	1.5	2.0	2.5
20	750	-	-	1.5	2.0	2.5
20	900	-	-	1.5	2.0	2.5

Note:

1. Above all Sizes are standard, Tailor-made sizes can be manufactured.
2. For Product code please refer page No xx

Tray Cover- (TC)

Press fit cover for Embossed cable tray



Height (mm)	Width (mm)	Thickness (mm)				
15	50	1.0	1.2	1.5	-	-
15	100	1.0	1.2	1.5	-	-
15	150	1.0	1.2	1.5	-	-
15	300	1.0	1.2	1.5	-	-
15	450	-	1.2	1.5	2.0	-
15	600	-	1.2	1.5	2.0	2.5
15	750	-	-	1.5	2.0	2.5
15	900	-	-	1.5	2.0	2.5
20	600	-	-	1.5	2.0	2.5
20	750	-	-	1.5	2.0	2.5
20	900	-	-	1.5	2.0	2.5

Tray Cover Accessories- (TCA)

NOMENCLATURE

TC	Pt00	200	015	1.0	3000	MS	HD			
I	II	III	IV	V	VI	VII	VIII			

- I. Basic Designation
TCA - Tray Cover
- II. Profile Type
 - PT00 - Plain type
 - VT00 - Ventilated Type
 - LT00 - Louvre Type
- III. -Accessories Type
 - HB - Horizontal Bend
 - VB - Vertical Bend
 - REDL - Reducer Left
 - CR - Crossed
 - REDC - Reducer Center
 - RTEE - Horizontal TEE
 - VTEE - Vertical Tee
- III. Width
 - 050 - 50mm
 - 100 - 100mm
 - 150 - 150mm
 - 200 - 200mm
 - 300 - 300mm
 - 450 - 450mm
 - 600 - 600mm
 - 750 - 750mm
 - 900 - 900mm
- IV. Height
 - 15 - 15mm
 - 20 - 20mm
- V. Thickness
 - 1.0 - 1.0mm
 - 1.2 - 1.2mm
 - 1.5 - 1.5mm
 - 2.0 - 2.0mm
 - 2.5 - 2.5mm
 - 3.0 - 3.0mm
- VII. Material
 - MS - Mild Steel
 - S4 - Stainless Steel 304
 - PG - Pre-Galvanized
 - FRP - Fibre Glass Reinforced plastic
 - S4 - Stainless Steel 304
 - AL - Aluminium
- VIII. Finish
 - HD - Hot-Dip Galvanization
 - PC - Powder coated
 - PP - Pickling & passivation
 - PT - Painted
 - SC - Self Colour
- VIII. Radius
 - R01 - 150mm radius
 - R03 - 300mm radius
 - R04 - 450mm radius
 - R06 - 600mm radius
 - R09 - 900mm radius
 - R12 - 1200mm radius
 - NR - Non-Radial

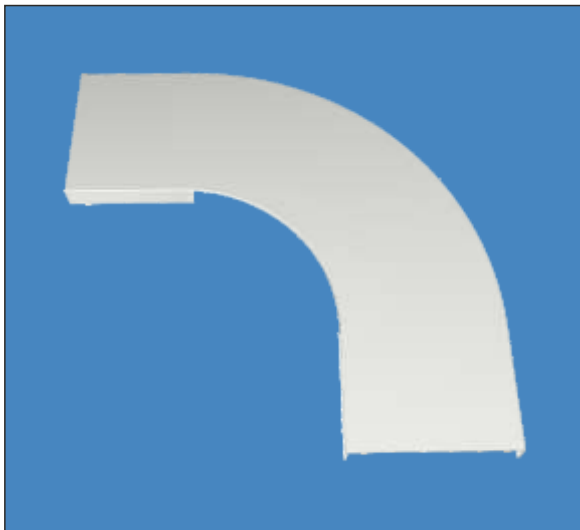
Tray Cover Accessories- (TCA)



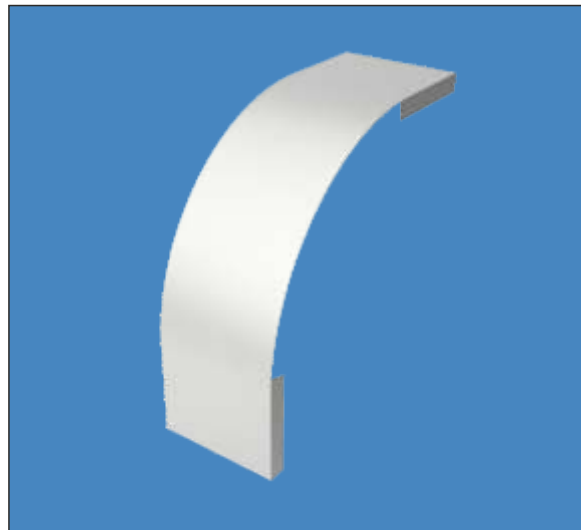
Horizontal Cross



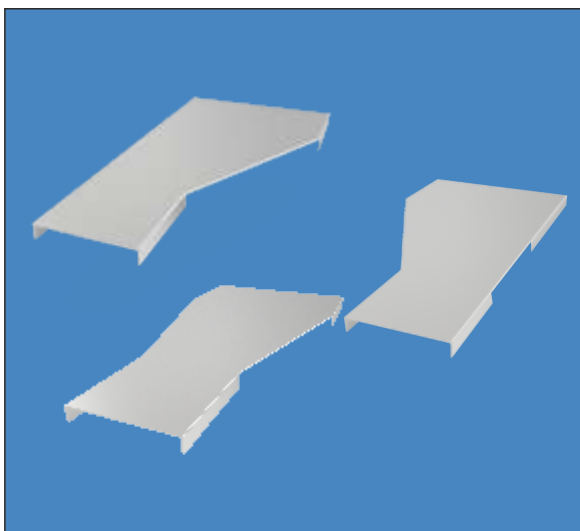
Horizontal Tee



Horizontal Bend



Vertical Bend Outside



Reducers



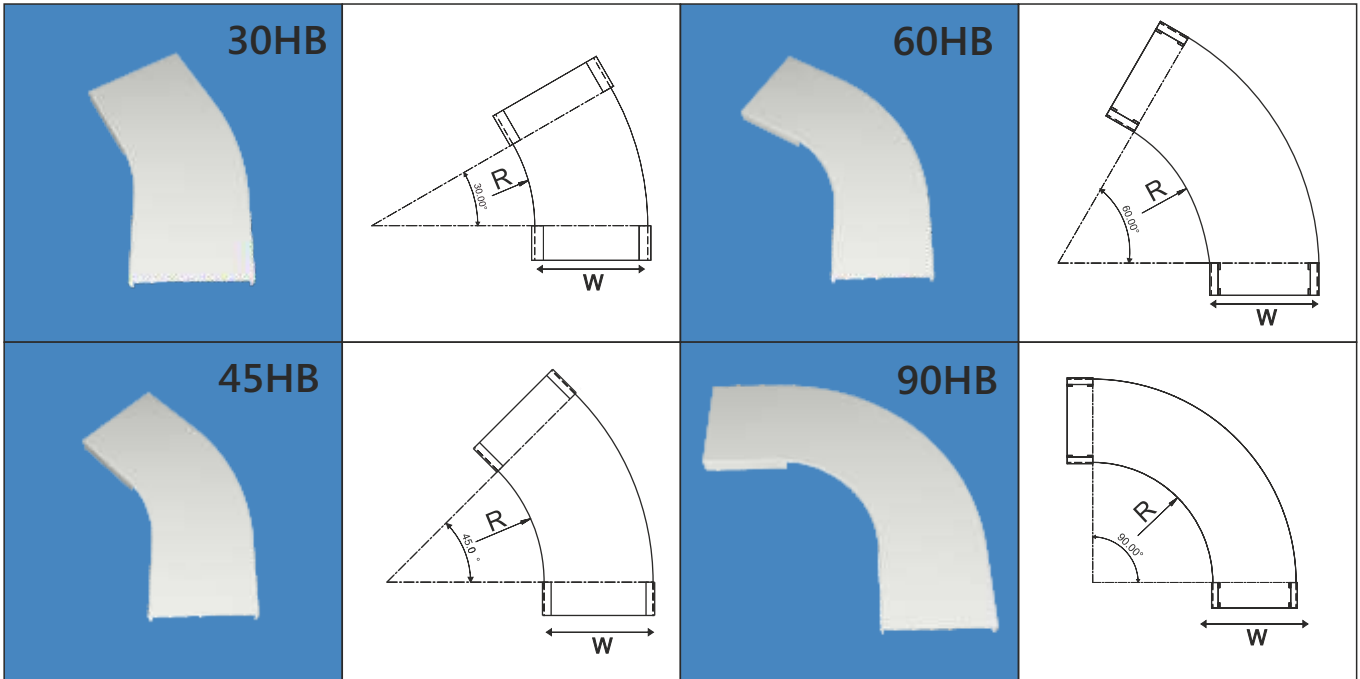
Vertical Bend Inside

Tray Cover Accessories- (TCA)

Plain Horizontal (Radial) Tray Cover

Type of Tray	Profile Type	Accessory Type	Width	Height	Thk	Material	Finish	Radius
TC	PT	30HB	Please refer below table			MS	HD	R01
	VT	45HB				PG	PT	R03
	LT	60HB				AL	PC	R04
		90HB				S4	SC	R06
		S6				PP	R09	
				R12				

FOR Example:TCA-PT-30HB-050-015-2.0-MS-HD-R03



Height (mm)	Width (mm)	Thickness (mm)					
		1.0	1.2	1.5	2.0	2.5	3.0
15	50	1.0	1.2	1.5	-	-	-
15	100	1.0	1.2	1.5	-	-	-
15	150	1.0	1.2	1.5	-	-	-
15	300	1.0	1.2	1.5	-	-	-
15	450	-	1.2	1.5	2.0	-	-
15	600	-	1.2	1.5	2.0	-	-
15	750	-	-	1.5	2.0	-	-
15	900	-	-	1.5	2.0	-	-
20	600	-	-	1.5	2.0	2.5	3.0
20	750	-	-	1.5	2.0	2.5	3.0
20	900	-	-	1.5	2.0	2.5	3.0

Note:

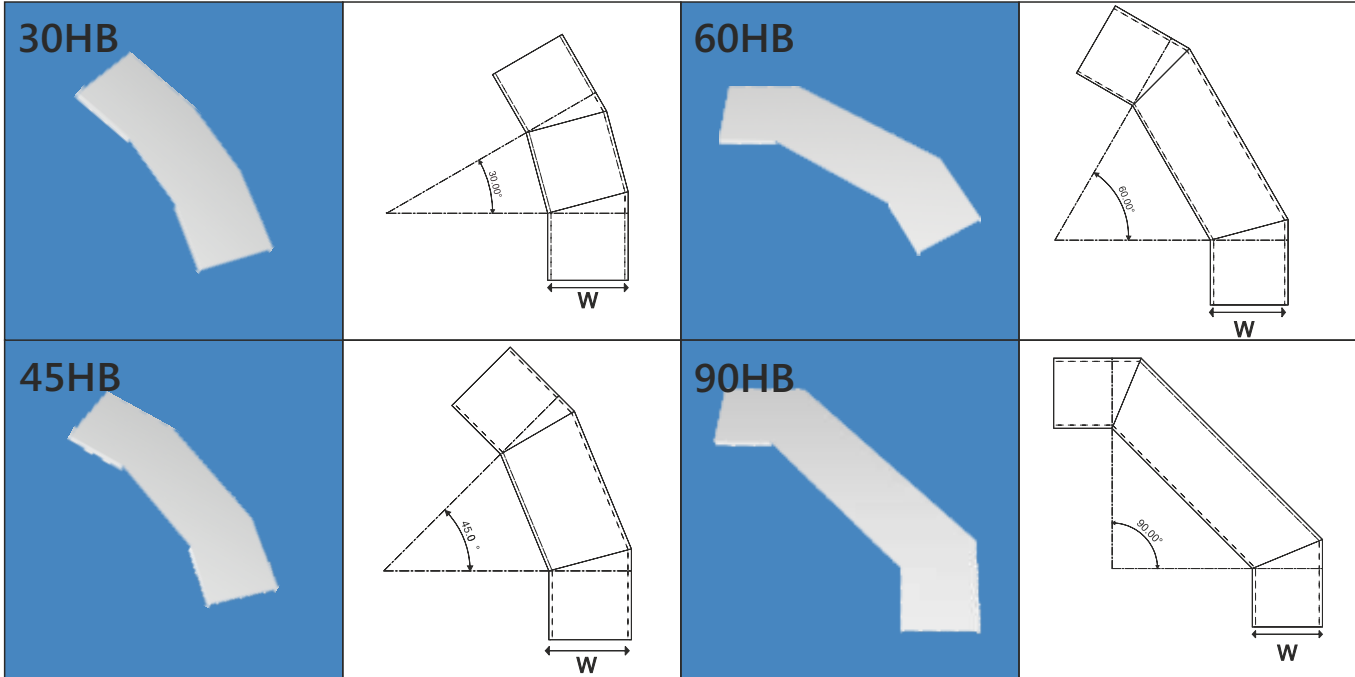
1. Above all Sizes are standard, Tailor-made sizes can be manufactured.
2. For Product code please refer page No xx

Tray Cover Accessories- (TCA)

Plain Horizontal (Non-Radial) Tray Cover

Type of Tray	Profile Type	Accessory Type	Width	Height	Thk	Material	Finish	Radius
TC	PT	30HB	Please refer below table			MS	HD	NR
	VT	45HB				PG	PT	
	LT	60HB				AL	PC	
		90HB				S4	SC	
						S6	PP	

FOR Example:TCA-PT-30HB-050-015-2.0-MS-HD-NR



Height (mm)	Width (mm)	Thickness (mm)					
		1.0	1.2	1.5	2.0	2.5	3.0
15	50	1.0	1.2	1.5	-	-	-
15	100	1.0	1.2	1.5	-	-	-
15	150	1.0	1.2	1.5	-	-	-
15	300	1.0	1.2	1.5	-	-	-
15	450	-	1.2	1.5	2.0	-	-
15	600	-	1.2	1.5	2.0	-	-
15	750	-	-	1.5	2.0	-	-
15	900	-	-	1.5	2.0	-	-
20	600	-	-	1.5	2.0	2.5	3.0
20	750	-	-	1.5	2.0	2.5	3.0
20	900	-	-	1.5	2.0	2.5	3.0

Note:

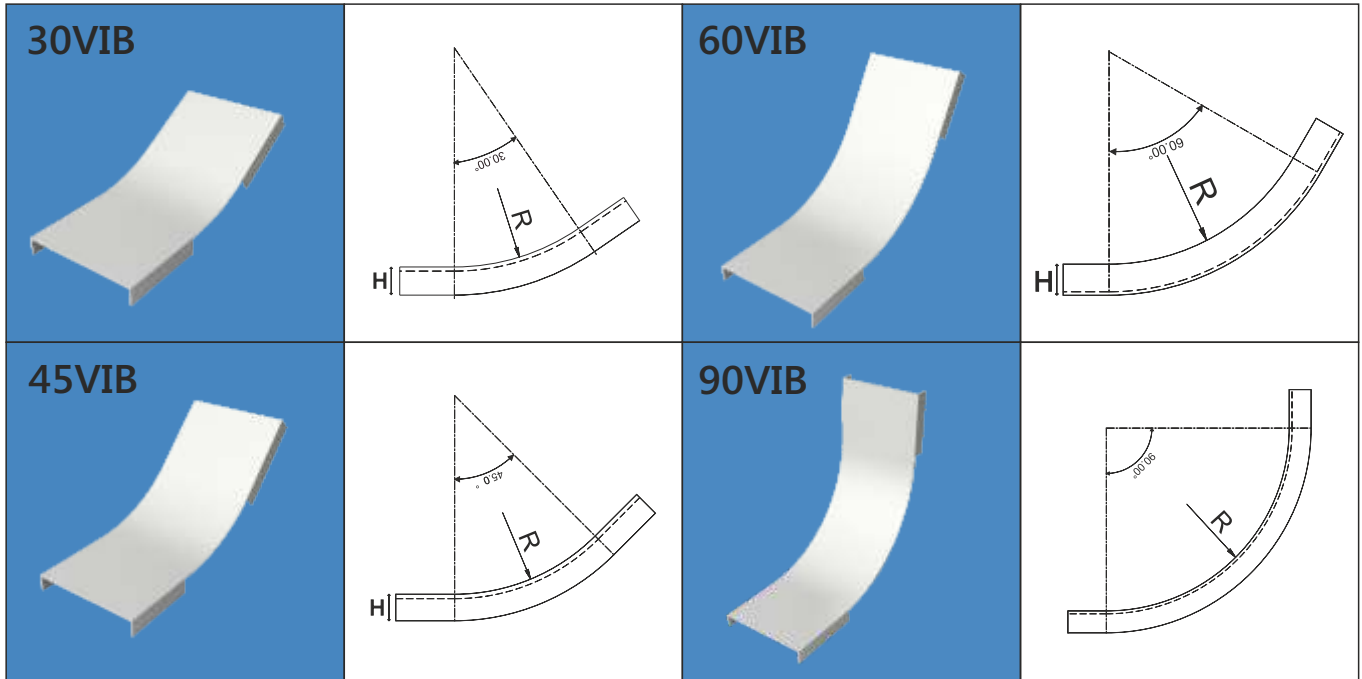
- Above all Sizes are standard, Tailor-made sizes can be manufactured.
- For Product code please refer page No xx

Tray Cover Accessories- (TCA)

Plain Vertical Inside Bend (Radial) Tray Cover

Type of Tray	Profile Type	Accessory Type	Width	Height	Thk	Material	Finish	Radius
TC	PT00 VT00	30VIB	Please refer below table			MS	HD	R01
		45VIB				PG	PT	R03
		60VIB				AL	PC	R04
		90VIB				S4	SC	R06
						S6	PP	R09
							R12	

FOR Example:TCA-PT-30VIB-050-015-2.0-MS-HD-R03



Height (mm)	Width (mm)	Thickness (mm)					
		1.0	1.2	1.5	2.0	2.5	3.0
15	50	1.0	1.2	1.5	-	-	-
15	100	1.0	1.2	1.5	-	-	-
15	150	1.0	1.2	1.5	-	-	-
15	300	1.0	1.2	1.5	-	-	-
15	450	-	1.2	1.5	2.0	-	-
15	600	-	1.2	1.5	2.0	-	-
15	750	-	-	1.5	2.0	-	-
15	900	-	-	1.5	2.0	-	-
20	600	-	-	1.5	2.0	2.5	3.0
20	750	-	-	1.5	2.0	2.5	3.0
20	900	-	-	1.5	2.0	2.5	3.0

Note:

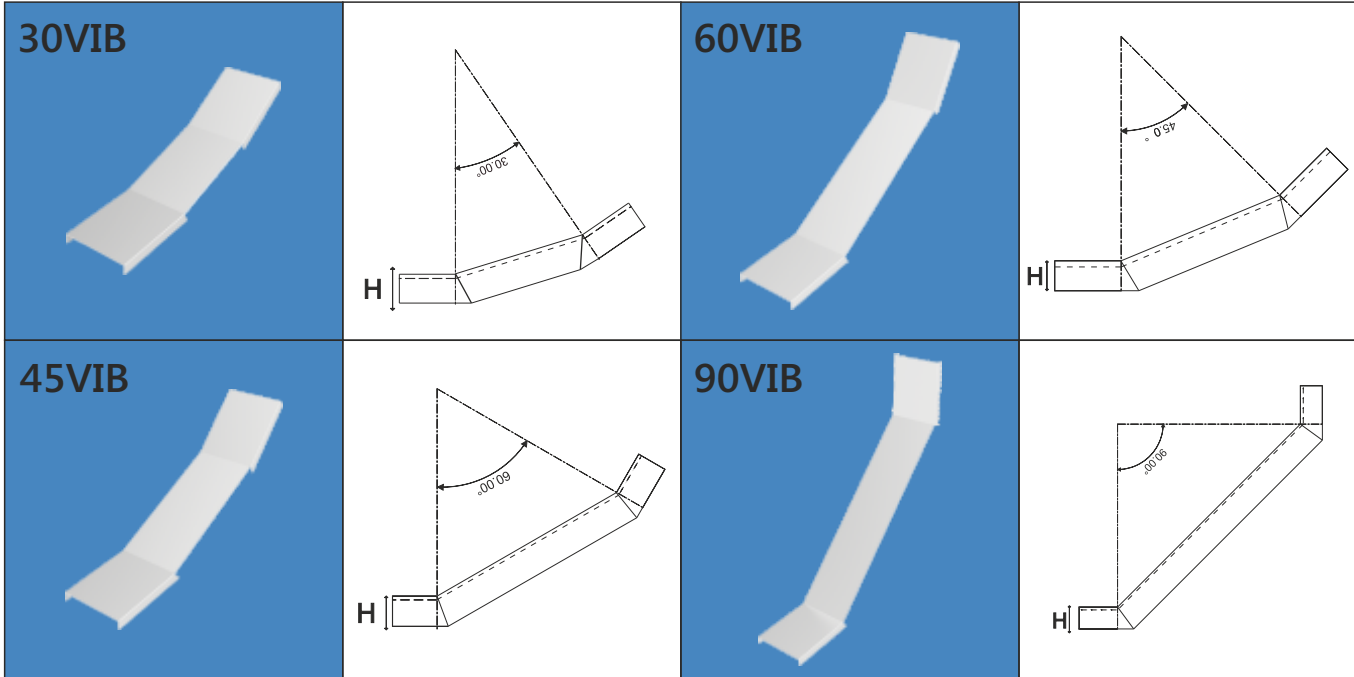
1. Above all Sizes are standard, Tailor-made sizes can be manufactured.
2. For Product code please refer page No xx

Tray Cover Accessories- (TCA)

Plain Vertical Inside Bend (Non-Radial) Tray Cover

Type of Tray	Profile Type	Accessory Type	Width	Height	Thk	Material	Finish	Radius
TC	PT00 VT00	30VIB	Please refer below table			MS	HD	NR
		45VIB				PG	PT	
		60VIB				AL	PC	
		90VIB				S4	SC	
						S6	PP	

FOR Example:TCA-PT-30VIB-050-015-2.0-MS-HD-NR



Height (mm)	Width (mm)	Thickness (mm)					
15	50	1.0	1.2	1.5	-	-	-
15	100	1.0	1.2	1.5	-	-	-
15	150	1.0	1.2	1.5	-	-	-
15	300	1.0	1.2	1.5	-	-	-
15	450	-	1.2	1.5	2.0	-	-
15	600	-	1.2	1.5	2.0	-	-
15	750	-	-	1.5	2.0	-	-
15	900	-	-	1.5	2.0	-	-
20	600	-	-	1.5	2.0	2.5	3.0
20	750	-	-	1.5	2.0	2.5	3.0
20	900	-	-	1.5	2.0	2.5	3.0

Note:

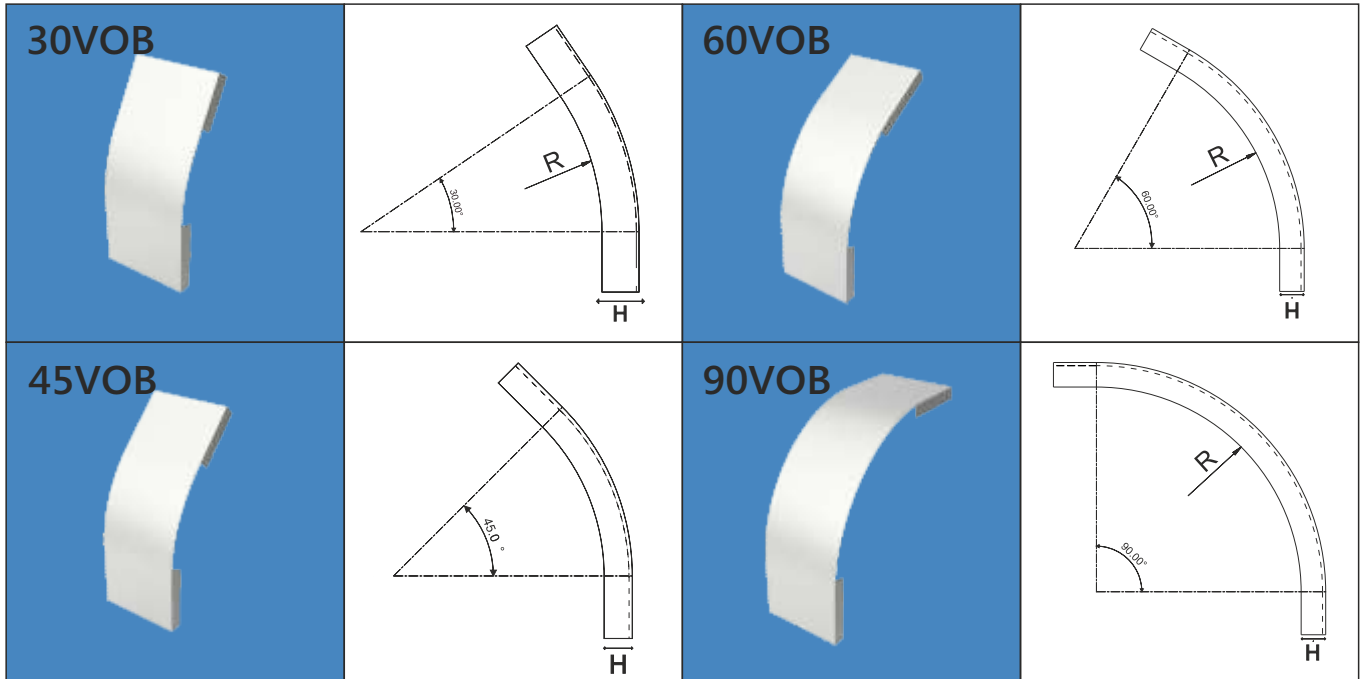
1. Above all Sizes are standard, Tailor-made sizes can be manufactured.
2. For Product code please refer page No xx

Tray Cover Accessories- (TCA)

Plain Vertical Outside (Radial) Tray Cover

Type of Tray	Profile Type	Accessory Type	Width	Height	Thk	Material	Finish	Radius
TC	PT00 VT00	30VOB	Please refer below table			MS	HD	R01
		45VOB				PG	PT	R03
		60VOB				AL	PC	R04
		90VOB				S4	SC	R06
						S6	PP	R09
							R12	

FOR Example:TCA-PT-30VOB-050-015-2.0-MS-HD-R03



Height (mm)	Width (mm)	Thickness (mm)					
		1.0	1.2	1.5	-	-	-
15	50	1.0	1.2	1.5	-	-	-
15	100	1.0	1.2	1.5	-	-	-
15	150	1.0	1.2	1.5	-	-	-
15	300	1.0	1.2	1.5	-	-	-
15	450	-	1.2	1.5	2.0	-	-
15	600	-	1.2	1.5	2.0	-	-
15	750	-	-	1.5	2.0	-	-
15	900	-	-	1.5	2.0	-	-
20	600	-	-	1.5	2.0	2.5	3.0
20	750	-	-	1.5	2.0	2.5	3.0
20	900	-	-	1.5	2.0	2.5	3.0

Note:

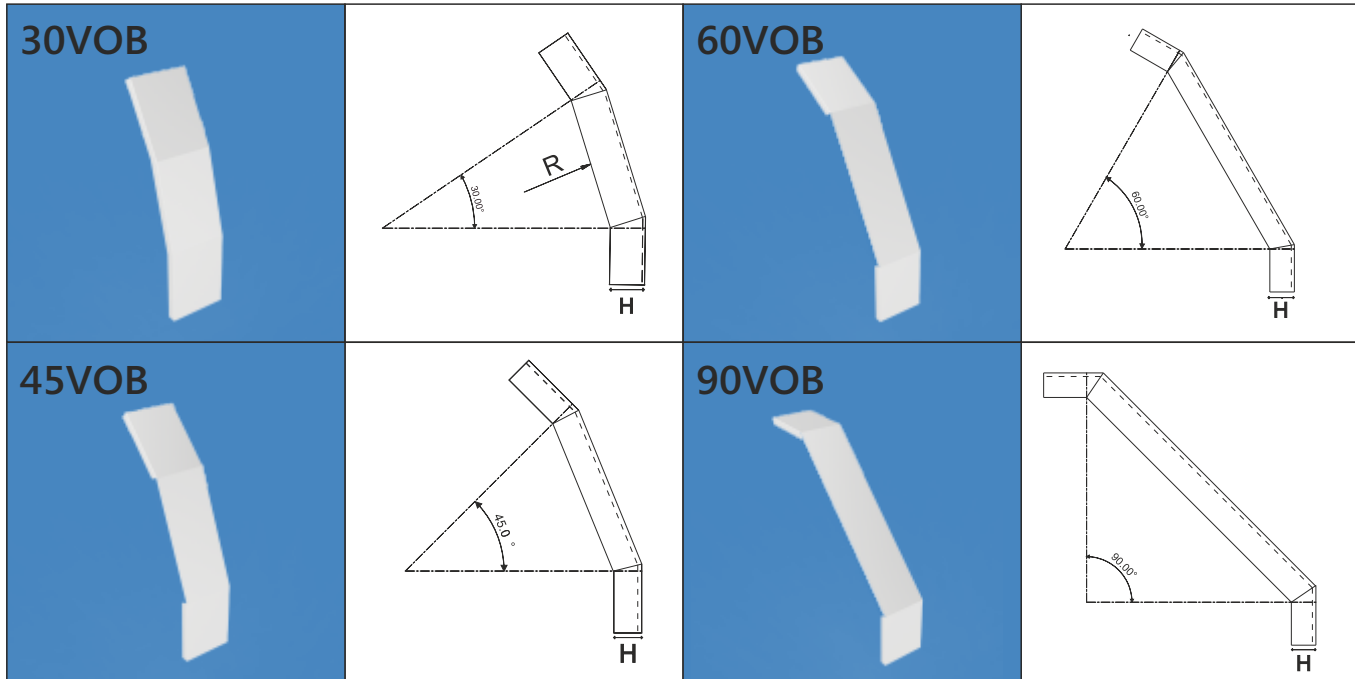
1. Above all Sizes are standard, Tailor-made sizes can be manufactured.
2. For Product code please refer page No xx

Tray Cover Accessories- (TCA)

Plain Vertical Outside (Non-Radial) Tray Cover

Type of Tray	Profile Type	Accessory Type	Width	Height	Thk	Material	Finish	Radius
TC	PT00 VT00	30VOB	Please refer below table			MS	HD	NR
		45VOB				PG	PT	
		60VOB				AL	PC	
		90VOB				S4	SC	
						S6	PP	

FOR Example:TCA-PT-30VOB-050-015-2.0-MS-HD-NR



Height (mm)	Width (mm)	Thickness (mm)					
		1.0	1.2	1.5	2.0	2.5	3.0
15	50	1.0	1.2	1.5	-	-	-
15	100	1.0	1.2	1.5	-	-	-
15	150	1.0	1.2	1.5	-	-	-
15	300	1.0	1.2	1.5	-	-	-
15	450	-	1.2	1.5	2.0	-	-
15	600	-	1.2	1.5	2.0	-	-
15	750	-	-	1.5	2.0	-	-
15	900	-	-	1.5	2.0	-	-
20	600	-	-	1.5	2.0	2.5	3.0
20	750	-	-	1.5	2.0	2.5	3.0
20	900	-	-	1.5	2.0	2.5	3.0

Note:

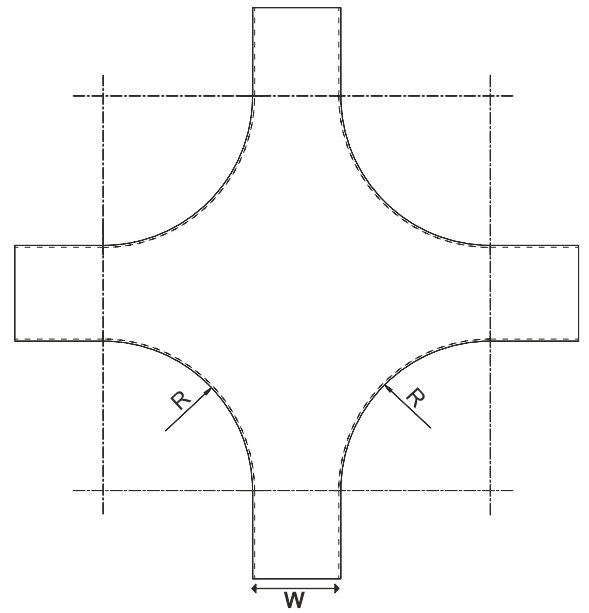
- Above all Sizes are standard, Tailor-made sizes can be manufactured.
- For Product code please refer page No xx

Tray Cover Accessories- (TCA)

Cable Tray Cover Horizontal Cross (Radial)

Type of Tray	Profile Type	Accessory Type	Width	Height	Thk	Material	Finish	Radius
TC	PT00 VT00	CR	Please refer below table			MS	HD	R01
						PG	PT	R03
						AL	PC	R04
						S4	SC	R06
						S6	PP	R09
								R12

FOR Example:TCA-PT-CR-050-015-2.0-MS-HD-R03



Height (mm)	Width (mm)	Thickness (mm)					
		1.0	1.2	1.5	2.0	2.5	3.0
15	50	1.0	1.2	1.5	-	-	-
15	100	1.0	1.2	1.5	-	-	-
15	150	1.0	1.2	1.5	-	-	-
15	300	1.0	1.2	1.5	-	-	-
15	450	-	1.2	1.5	2.0	-	-
15	600	-	1.2	1.5	2.0	-	-
15	750	-	-	1.5	2.0	-	-
15	900	-	-	1.5	2.0	-	-
20	600	-	-	1.5	2.0	2.5	3.0
20	750	-	-	1.5	2.0	2.5	3.0
20	900	-	-	1.5	2.0	2.5	3.0

Note:

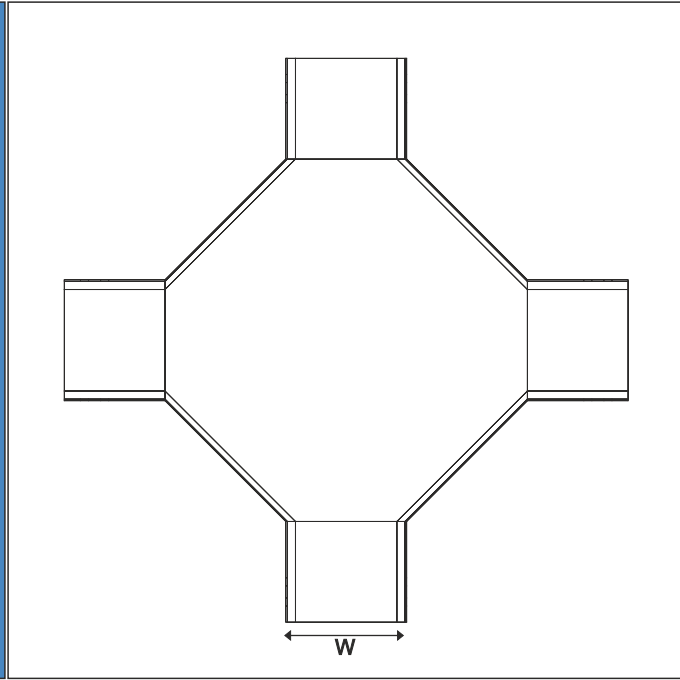
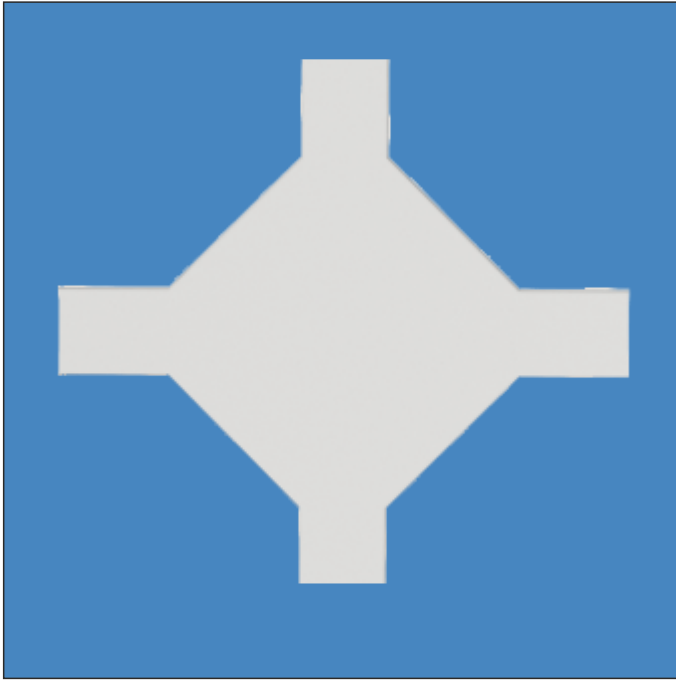
1. Above all Sizes are standard, Tailor-made sizes can be manufactured.
2. For Product code please refer page No xx

Tray Cover Accessories- (TCA)

Cable Tray Cover Horizontal Cross (Non-Radial)

Type of Tray	Profile Type	Accessory Type	Width	Height	Thk	Material	Finish	Radius
TC	PT00	CR	Please refer below table			MS	HD	NR
	VT00					PG	PT	
						AL	PC	
						S4	SC	
						S6	PP	

FOR Example:TCA-PT-CR-050-015-2.0-MS-HD-NR



Height (mm)	Width (mm)	Thickness (mm)					
15	50	1.0	1.2	1.5	-	-	-
15	100	1.0	1.2	1.5	-	-	-
15	150	1.0	1.2	1.5	-	-	-
15	300	1.0	1.2	1.5	-	-	-
15	450	-	1.2	1.5	2.0	-	-
15	600	-	1.2	1.5	2.0	-	-
15	750	-	-	1.5	2.0	-	-
15	900	-	-	1.5	2.0	-	-
20	600	-	-	1.5	2.0	2.5	3.0
20	750	-	-	1.5	2.0	2.5	3.0
20	900	-	-	1.5	2.0	2.5	3.0

Note:

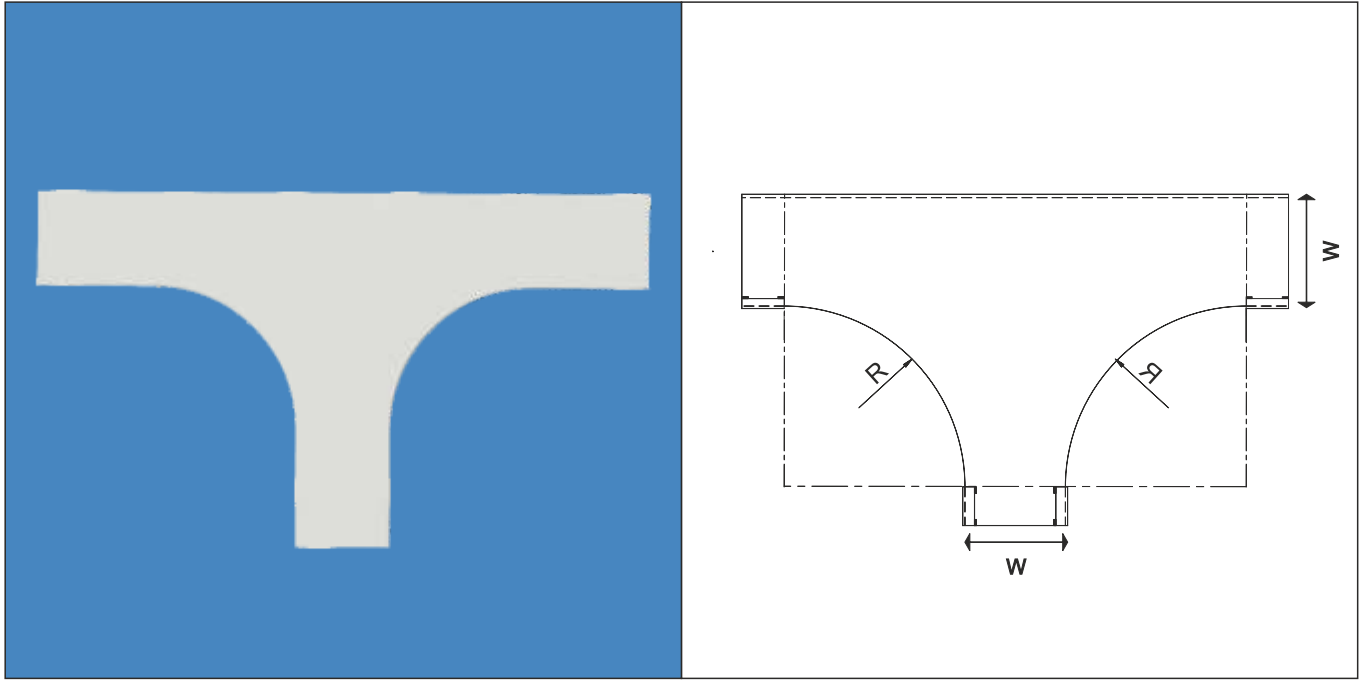
1. Above all Sizes are standard, Tailor-made sizes can be manufactured.
2. For Product code please refer page No xx

Tray Cover Accessories- (TCA)

Cable Tray Cover Tee (Radial)

Type of Tray	Profile Type	Accessory Type	Width	Height	Thk	Material	Finish	Radius
TC	PT00	TEE	Please refer below table			MS	HD	R01
						PG	PT	R03
	AL					PC	R04	
	S4					SC	R06	
	S6					PP	R09	
							R12	

FOR Example:TCA-PT-TEE-050-015-2.0-MS-HD-R03



Height (mm)	Width (mm)	Thickness (mm)					
		1.0	1.2	1.5	2.0	2.5	3.0
15	50	1.0	1.2	1.5	-	-	-
15	100	1.0	1.2	1.5	-	-	-
15	150	1.0	1.2	1.5	-	-	-
15	300	1.0	1.2	1.5	-	-	-
15	450	-	1.2	1.5	2.0	-	-
15	600	-	1.2	1.5	2.0	-	-
15	750	-	-	1.5	2.0	-	-
15	900	-	-	1.5	2.0	-	-
20	600	-	-	1.5	2.0	2.5	3.0
20	750	-	-	1.5	2.0	2.5	3.0
20	900	-	-	1.5	2.0	2.5	3.0

Note:

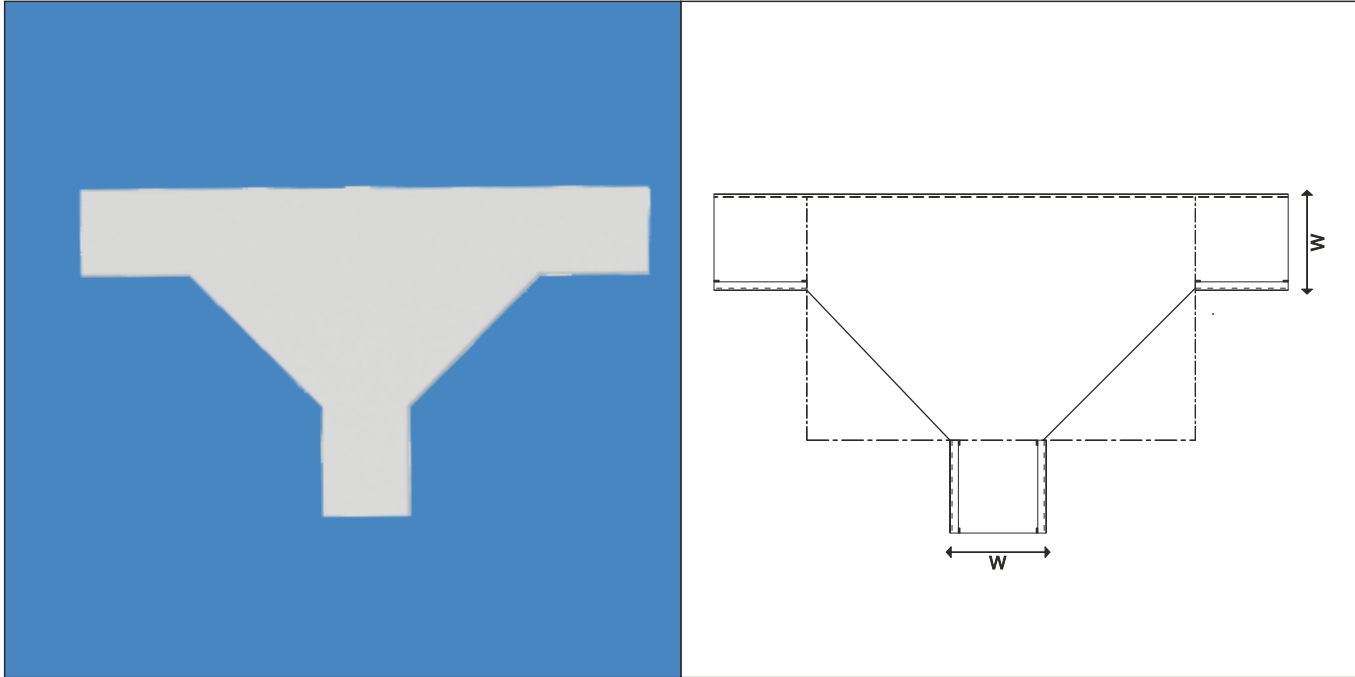
1. Above all Sizes are standard, Tailor-made sizes can be manufactured.
2. For Product code please refer page No xx

Tray Cover Accessories- (TCA)

Cable Tray Cover Horizontal Tee (Non-Radial)

Type of Tray	Profile Type	Accessory Type	Width	Height	Thk	Material	Finish	Radius
TC	PT00	TEE	Please refer below table			MS	HD	NR
	VT00					PG	PT	
						AL	PC	
						S4	SC	
						S6	PP	

FOR Example:TCA-PT-TEE-050-015-2.0-MS-HD-NR



Height (mm)	Width (mm)	Thickness (mm)					
		1.0	1.2	1.5	2.0	2.5	3.0
15	50	1.0	1.2	1.5	-	-	-
15	100	1.0	1.2	1.5	-	-	-
15	150	1.0	1.2	1.5	-	-	-
15	300	1.0	1.2	1.5	-	-	-
15	450	-	1.2	1.5	2.0	-	-
15	600	-	1.2	1.5	2.0	-	-
15	750	-	-	1.5	2.0	-	-
15	900	-	-	1.5	2.0	-	-
20	600	-	-	1.5	2.0	2.5	3.0
20	750	-	-	1.5	2.0	2.5	3.0
20	900	-	-	1.5	2.0	2.5	3.0

Note:

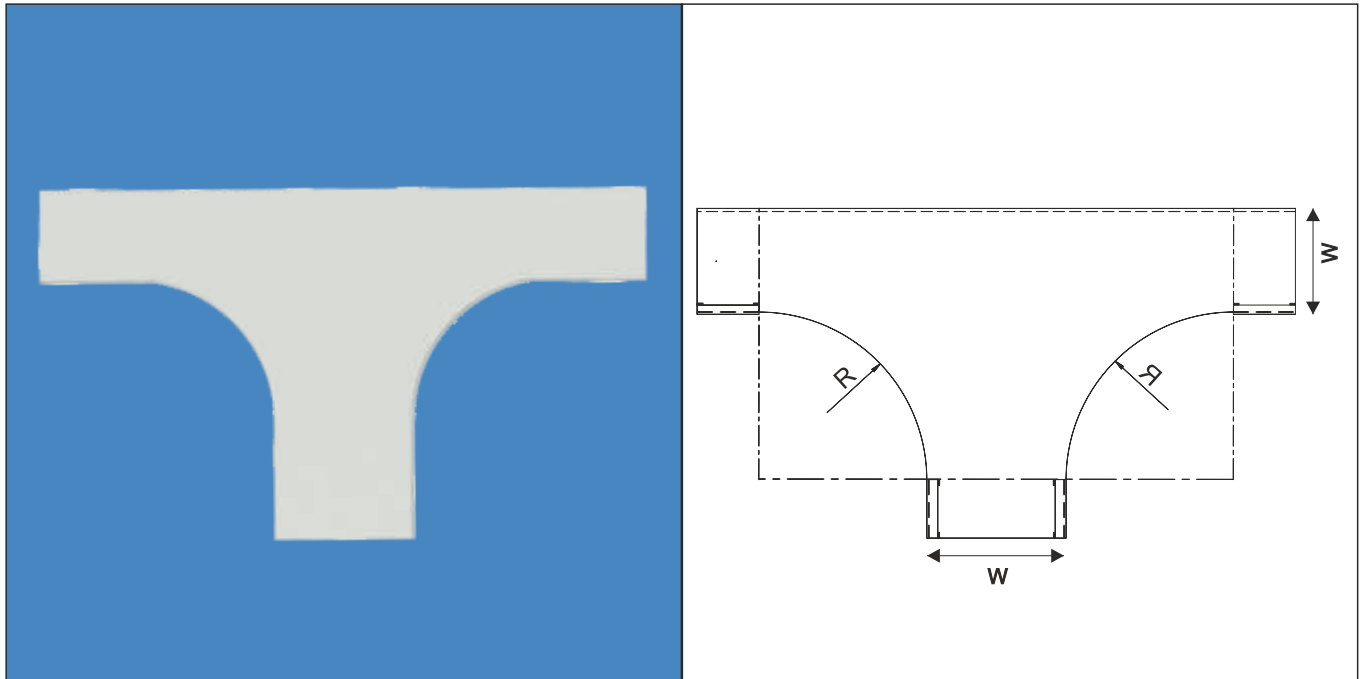
1. Above all Sizes are standard, Tailor-made sizes can be manufactured.
2. For Product code please refer page No xx

Tray Cover Accessories- (TCA)

Cable Tray Cover Horizontal Tee Unequal (Radial) Bend

Type of Tray	Profile Type	Accessory Type	Width	Height	Thk	Material	Finish	Radius
TC	PT00	UTEE	Please refer below table			MS	HD	R01
						PG	PT	R03
	AL					PC	R04	
	S4					SC	R06	
	S6					PP	R09	
							R12	

FOR Example:TCA-PT-UTEE-050-015-2.0-MS-HD-R03



Height (mm)	Width (mm)	Thickness (mm)					
		1.0	1.2	1.5	-	-	-
15	50	1.0	1.2	1.5	-	-	-
15	100	1.0	1.2	1.5	-	-	-
15	150	1.0	1.2	1.5	-	-	-
15	300	1.0	1.2	1.5	-	-	-
15	450	-	1.2	1.5	2.0	-	-
15	600	-	1.2	1.5	2.0	-	-
15	750	-	-	1.5	2.0	-	-
15	900	-	-	1.5	2.0	-	-
20	600	-	-	1.5	2.0	2.5	3.0
20	750	-	-	1.5	2.0	2.5	3.0
20	900	-	-	1.5	2.0	2.5	3.0

Note:

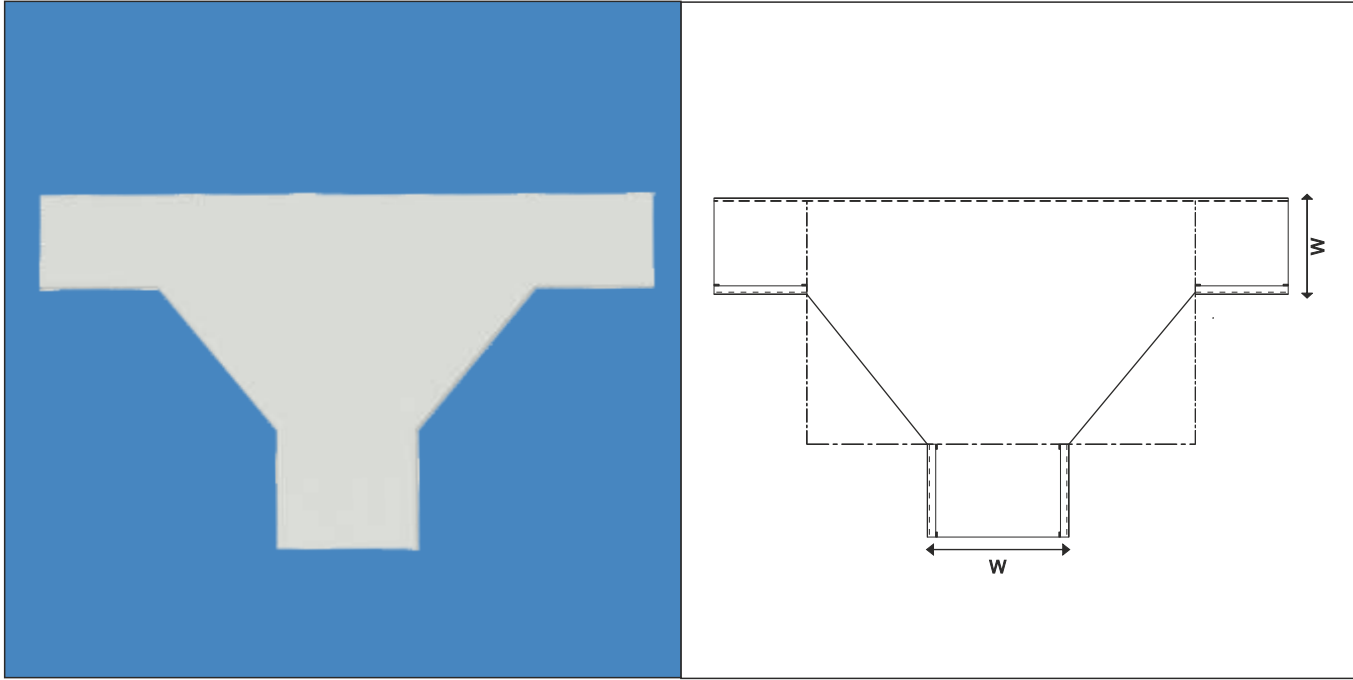
1. Above all Sizes are standard, Tailor-made sizes can be manufactured.
2. For Product code please refer page No xx

Tray Cover Accessories- (TCA)

Cable Tray Cover Horizontal Tee Unequal (Non-Radial) Bend

Type of Tray	Profile Type	Accessory Type	Width	Height	Thk	Material	Finish	Radius
TC	PT00	UTEE	Please refer below table			MS	HD	NR
	VT00					PG	PT	
						AL	PC	
						S4	SC	
						S6	PP	

FOR Example:TCA-PT-UTEE-050-015-2.0-MS-HD-NR



Height (mm)	Width (mm)	Thickness (mm)					
15	50	1.0	1.2	1.5	-	-	-
15	100	1.0	1.2	1.5	-	-	-
15	150	1.0	1.2	1.5	-	-	-
15	300	1.0	1.2	1.5	-	-	-
15	450	-	1.2	1.5	2.0	-	-
15	600	-	1.2	1.5	2.0	-	-
15	750	-	-	1.5	2.0	-	-
15	900	-	-	1.5	2.0	-	-
20	600	-	-	1.5	2.0	2.5	3.0
20	750	-	-	1.5	2.0	2.5	3.0
20	900	-	-	1.5	2.0	2.5	3.0

Note:

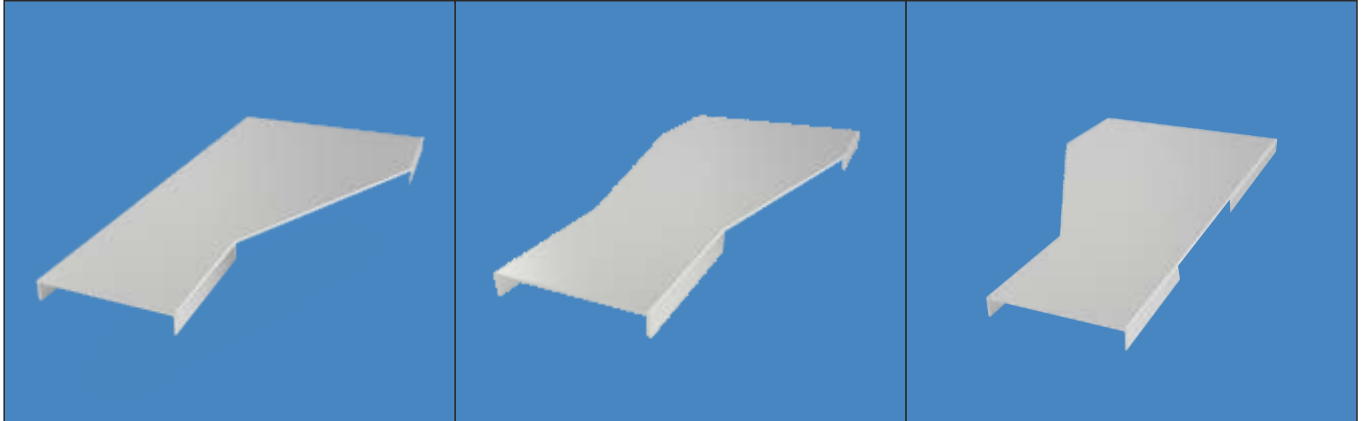
1. Above all Sizes are standard, Tailor-made sizes can be manufactured.
2. For Product code please refer page No xx

Tray Cover Accessories- (TCA)

Cable Tray Cover Reducer Bend

Type of Tray	Profile Type	Accessory Type	Width	Height	Thk	Material	Finish
TCA	PT	REDC	Please refer below table			MS	HD
	VT	REDL				PG	PT
		REDR				AL	PC
						S4	SC
						S6	PP

FOR Example:TCA-PT-REDC-025-2.0-600-MS-HD



Height (mm)	Width (mm)	Width W2 (mm)								Thickness (mm)				
15	100	50	-	-	-	-	-	-	-	1.0	1.2	1.5	2.0	2.5
15	150	50	100	-	-	-	-	-	-	1.0	1.2	1.5	2.0	2.5
15	300	50	100	150	200	-	-	-	-	1.0	1.2	1.5	2.0	2.5
15	450	50	100	150	200	300	-	-	-	1.0	1.2	1.5	2.0	2.5
15	600	50	100	150	200	300	450	-	-	-	1.2	1.5	2.0	2.5
15	750	50	100	150	200	300	450	600	-	-	1.2	1.5	2.0	2.5
15	900	50	100	150	200	300	450	600	600	-	-	-	2.0	2.5

Note:

1. Above all Sizes are standard, Tailor-made sizes can be manufactured.
2. For Product code please refer page No xx

Tray Cover Accessories- (TCA)

Note:

1. Above all Sizes are standard, Tailor-made sizes can be manufactured.
2. For Product code please refer page No xx

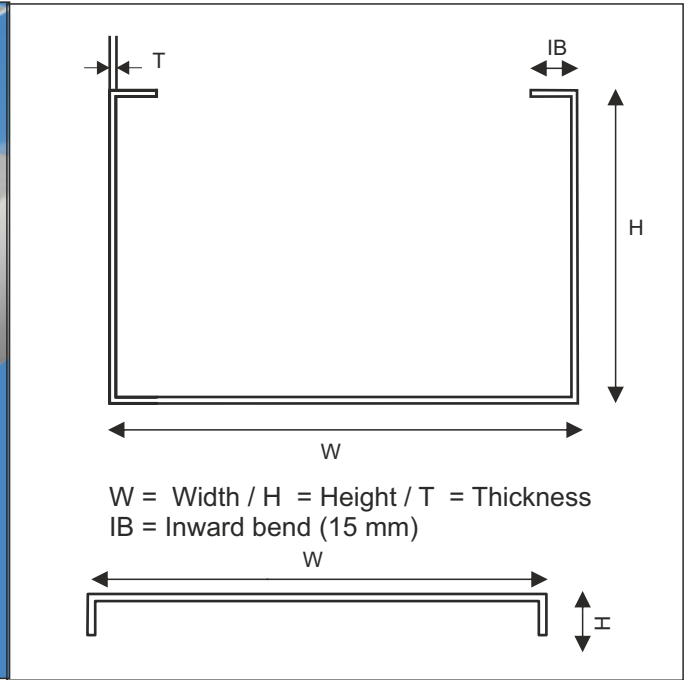
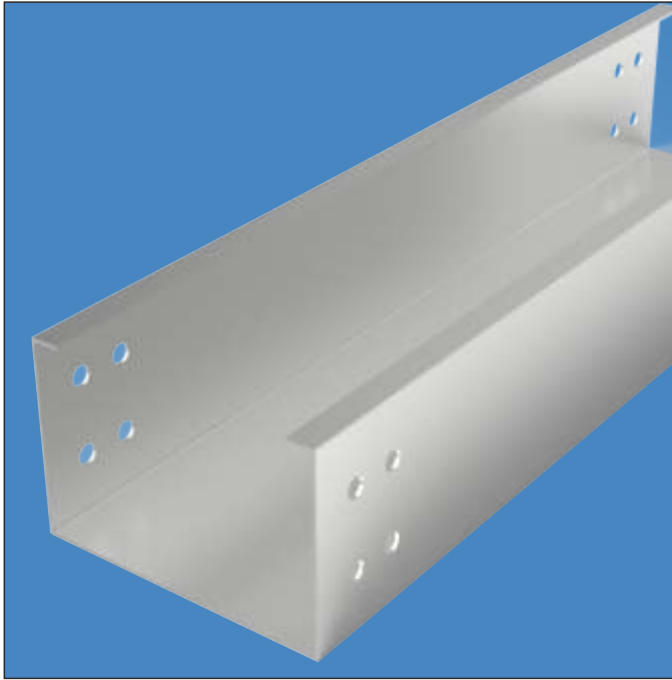


Industrial Floor Trunking - IFT

Industrial Floor Trunking

Type of Tray	Profile	Width	Height	Thk	Length	Material	Finish
IFT	IB00	Please refer below table			2500	MS	BK
					6000	PG	HD
						AL	PT
						S4	PC
						S6	

FOR Example:IFT-IB00-050-025-2.0-2500-MS-HD



Height (mm)	Width (mm)	Thickness (mm)			
35	100	1.5	2.0	2.5	3.0
35	150	1.5	2.0	2.5	3.0
35	300	1.5	2.0	2.5	3.0
35	350	1.5	2.0	2.5	3.0
35	400	1.5	2.0	2.5	3.0

Height (mm)	Width (mm)	Thickness (mm)			
75	100	1.5	2.0	2.5	3.0
75	150	1.5	2.0	2.5	3.0
75	300	1.5	2.0	2.5	3.0
75	350	1.5	2.0	2.5	3.0
75	400	1.5	2.0	2.5	3.0

Height (mm)	Width (mm)	Thickness (mm)			
50	100	1.5	2.0	2.5	3.0
50	150	1.5	2.0	2.5	3.0
50	300	1.5	2.0	2.5	3.0
50	350	1.5	2.0	2.5	3.0
50	400	1.5	2.0	2.5	3.0

Height (mm)	Width (mm)	Thickness (mm)			
100	100	1.5	2.0	2.5	3.0
100	150	1.5	2.0	2.5	3.0
100	300	1.5	2.0	2.5	3.0
100	350	1.5	2.0	2.5	3.0
100	400	1.5	2.0	2.5	3.0

Note:

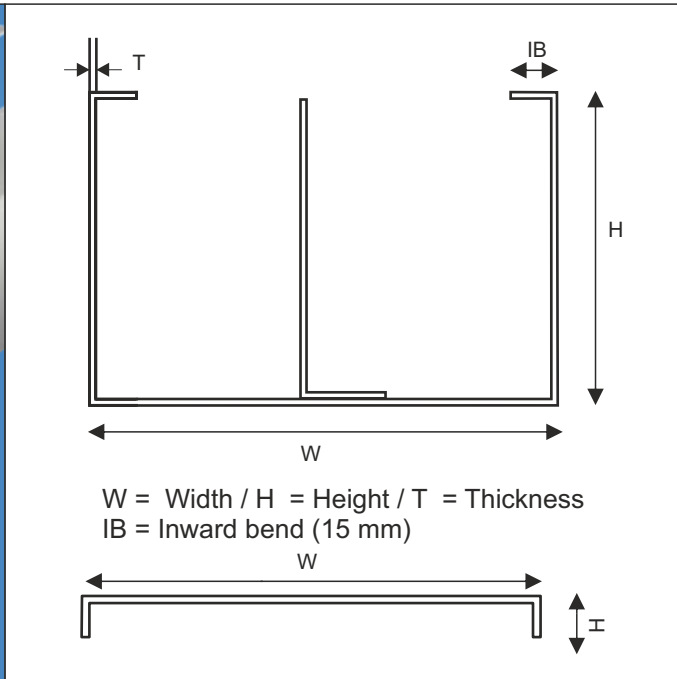
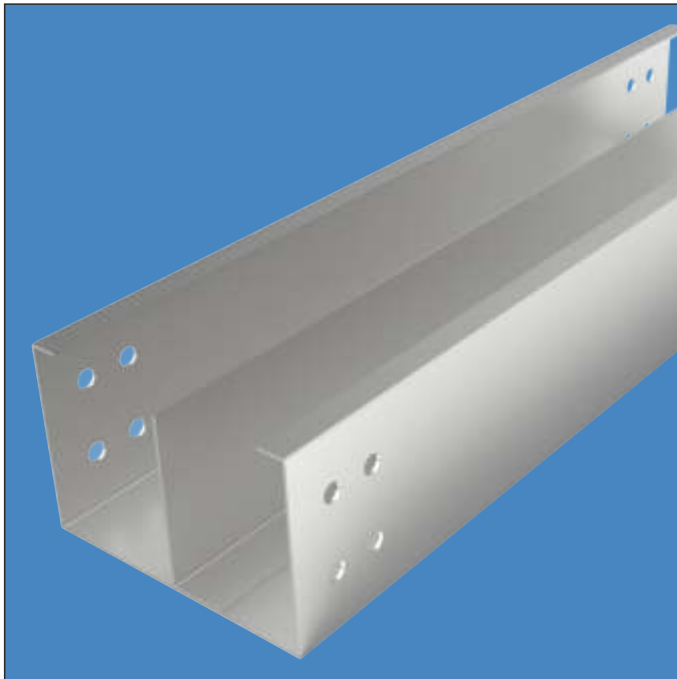
1. Above all Sizes are standard, Tailor-made sizes can be manufactured.
2. For Product code please refer page No xx

Industrial Floor Trunking - IFT

Industrial Floor Trunking With Divider

Type of Tray	Profile	Width	Height	Thk	Length	Material	Finish
IFT	IB00	Please refer below table			2500	MS	BK
					6000	PG	HD
						AL	PT
						S4	PC
						S6	

FOR Example:PCT-RTEE-050-025-2.0-6000-MS-HD



Height (mm)	Width (mm)	Thickness (mm)			
35	100	1.5	2.0	2.5	3.0
35	150	1.5	2.0	2.5	3.0
35	300	1.5	2.0	2.5	3.0
35	350	1.5	2.0	2.5	3.0
35	400	1.5	2.0	2.5	3.0

Height (mm)	Width (mm)	Thickness (mm)			
75	100	1.5	2.0	2.5	3.0
75	150	1.5	2.0	2.5	3.0
75	300	1.5	2.0	2.5	3.0
75	350	1.5	2.0	2.5	3.0
75	400	1.5	2.0	2.5	3.0

Height (mm)	Width (mm)	Thickness (mm)			
50	100	1.5	2.0	2.5	3.0
50	150	1.5	2.0	2.5	3.0
50	300	1.5	2.0	2.5	3.0
50	350	1.5	2.0	2.5	3.0
50	400	1.5	2.0	2.5	3.0

Height (mm)	Width (mm)	Thickness (mm)			
100	100	1.5	2.0	2.5	3.0
100	150	1.5	2.0	2.5	3.0
100	300	1.5	2.0	2.5	3.0
100	350	1.5	2.0	2.5	3.0
100	400	1.5	2.0	2.5	3.0

Note:

- Above all Sizes are standard, Tailor-made sizes can be manufactured.
- For Product code please refer page No xx

Industrial Floor Trunking Accessories - IFTA



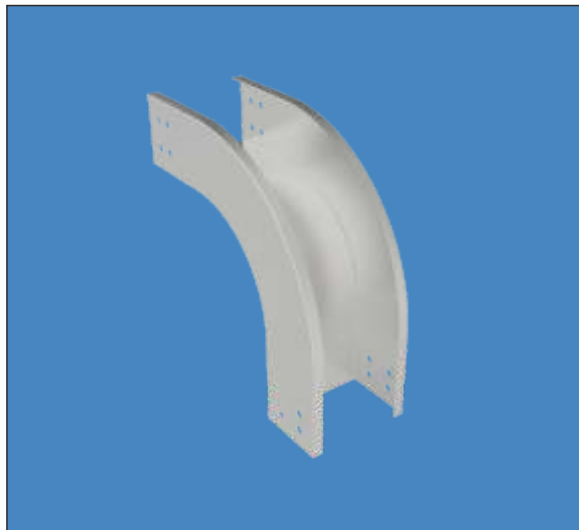
Horizontal Cross



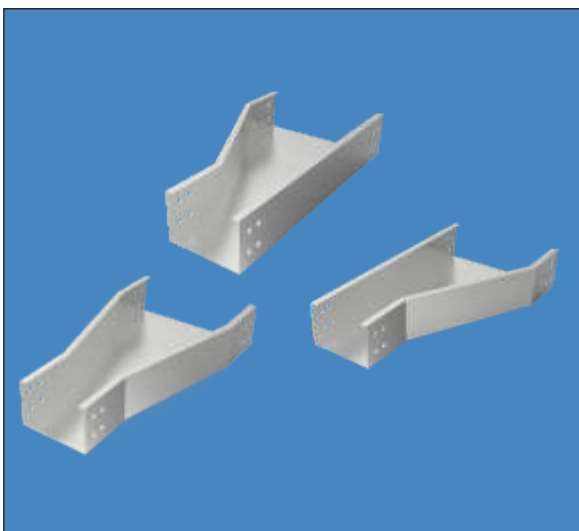
Horizontal Tee



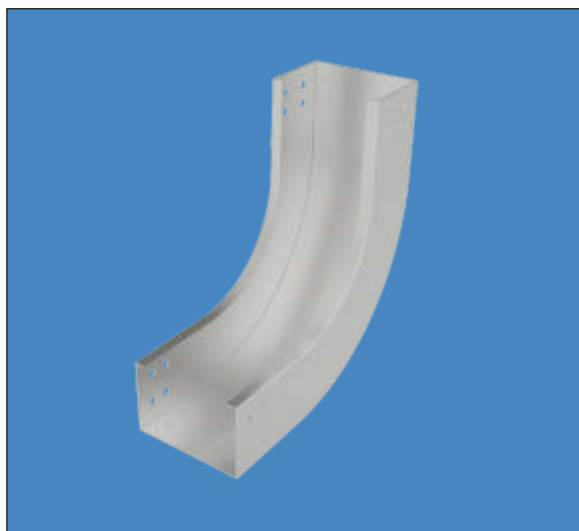
Horizontal Bend



Vertical Bend Outside



Reducers



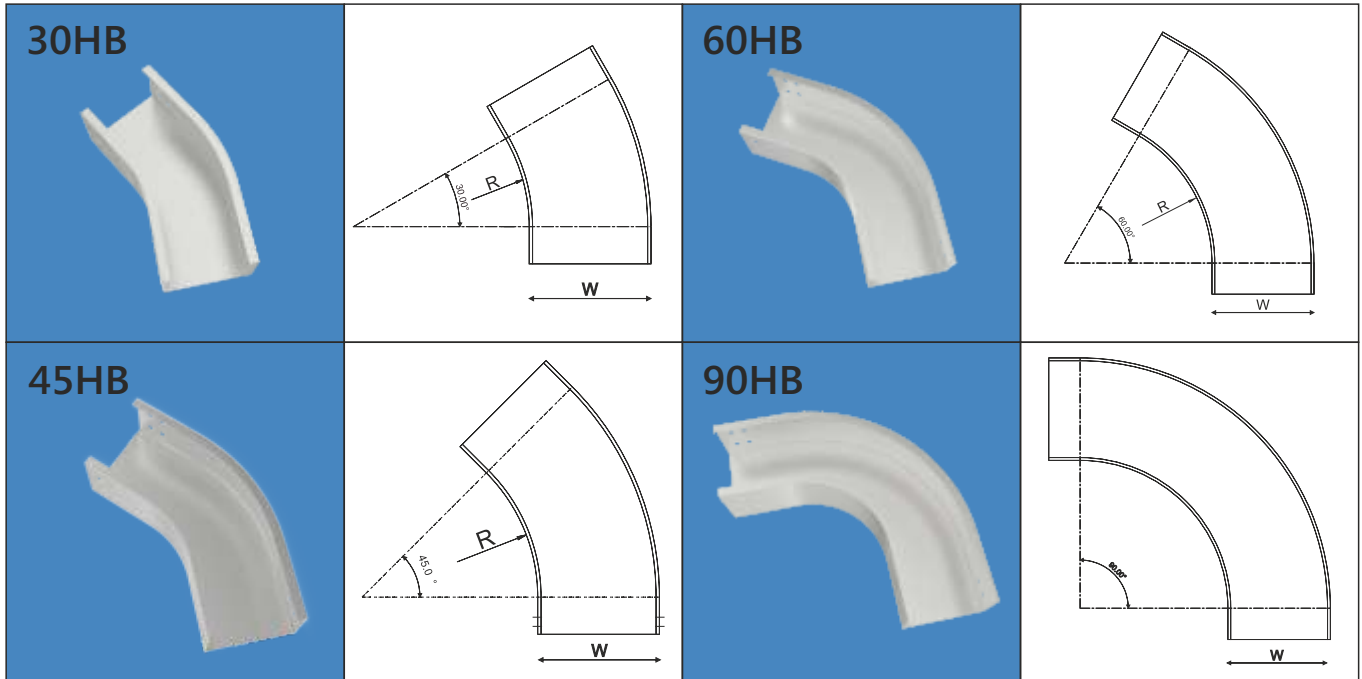
Vertical Bend Inside

Industrial Floor Trunking Accessories - IFTA

Industrial Floor Trunking Horizontal (Radial) Bend

Type of Tray	Profile Type	Accessory Type	Width	Height	Thk	Material	Finish	Radius
IFTA	IB	30HB	Please refer below table			MS	BK	R01
		45HB				PG	HD	R03
		60HB				AL	PT	R04
		90HB				S4	PC	R06
						S6	PP	R09
								R12

FOR Example: IFTA-IB-30VB-050-015-2.0-MS-HD-R03



Height (mm)	Width (mm)	Thickness (mm)			
35	100	1.5	2.0	2.5	3.0
35	150	1.5	2.0	2.5	3.0
35	300	1.5	2.0	2.5	3.0
35	350	1.5	2.0	2.5	3.0
35	400	1.5	2.0	2.5	3.0

Height (mm)	Width (mm)	Thickness (mm)			
75	100	1.5	2.0	2.5	3.0
75	150	1.5	2.0	2.5	3.0
75	300	1.5	2.0	2.5	3.0
75	350	1.5	2.0	2.5	3.0
75	400	1.5	2.0	2.5	3.0

Height (mm)	Width (mm)	Thickness (mm)			
50	100	1.5	2.0	2.5	3.0
50	150	1.5	2.0	2.5	3.0
50	300	1.5	2.0	2.5	3.0
50	350	1.5	2.0	2.5	3.0
50	400	1.5	2.0	2.5	3.0

Height (mm)	Width (mm)	Thickness (mm)			
100	100	1.5	2.0	2.5	3.0
100	150	1.5	2.0	2.5	3.0
100	300	1.5	2.0	2.5	3.0
100	350	1.5	2.0	2.5	3.0
100	400	1.5	2.0	2.5	3.0

Note:

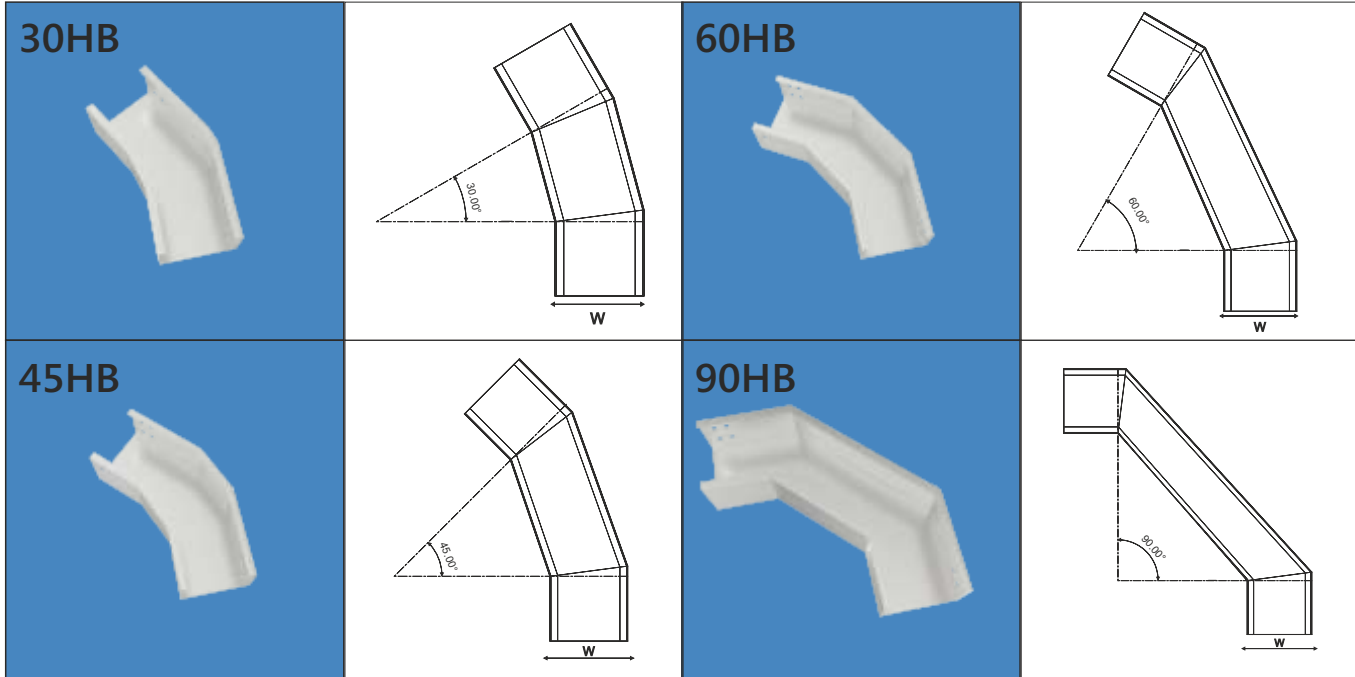
1. Above all Sizes are standard, Tailor-made sizes can be manufactured.
2. For Product code please refer page No xx

Industrial Floor Trunking Accessories - IFTA

Industrial Floor Trunking Horizontal (NON-Radial) Bend

Type of Tray	Profile Type	Accessory Type	Width	Height	Thk	Material	Finish	Radius
IFTA	IB	30HB	Please refer below table			MS	BK	NR
		45HB				PG	HD	
		60HB				AL	PT	
		90HB				S4	PC	
						S6	PP	

FOR Example:IFTA-IB-30VB-050-015-2.0-MS-HD-NR



Height (mm)	Width (mm)	Thickness (mm)			
35	100	1.5	2.0	2.5	3.0
35	150	1.5	2.0	2.5	3.0
35	300	1.5	2.0	2.5	3.0
35	350	1.5	2.0	2.5	3.0
35	400	1.5	2.0	2.5	3.0

Height (mm)	Width (mm)	Thickness (mm)			
75	100	1.5	2.0	2.5	3.0
75	150	1.5	2.0	2.5	3.0
75	300	1.5	2.0	2.5	3.0
75	350	1.5	2.0	2.5	3.0
75	400	1.5	2.0	2.5	3.0

Height (mm)	Width (mm)	Thickness (mm)			
50	100	1.5	2.0	2.5	3.0
50	150	1.5	2.0	2.5	3.0
50	300	1.5	2.0	2.5	3.0
50	350	1.5	2.0	2.5	3.0
50	400	1.5	2.0	2.5	3.0

Height (mm)	Width (mm)	Thickness (mm)			
100	100	1.5	2.0	2.5	3.0
100	150	1.5	2.0	2.5	3.0
100	300	1.5	2.0	2.5	3.0
100	350	1.5	2.0	2.5	3.0
100	400	1.5	2.0	2.5	3.0

Note:

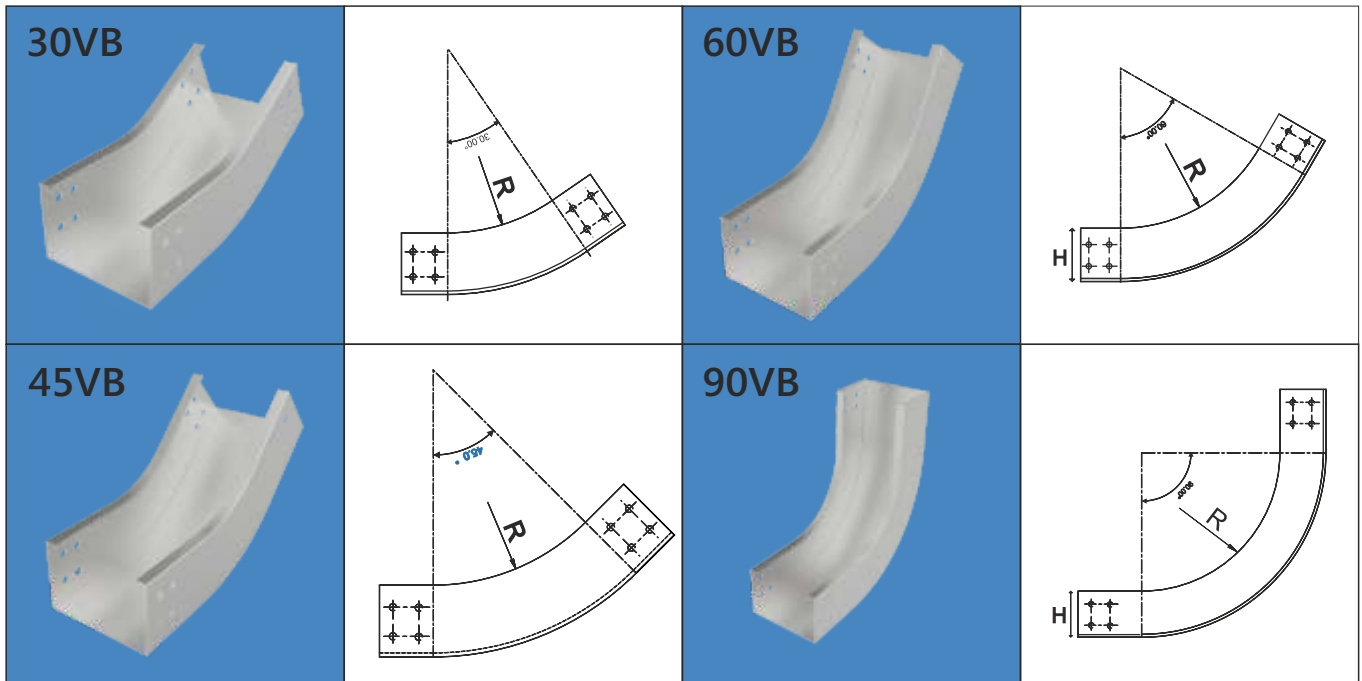
- Above all Sizes are standard, Tailor-made sizes can be manufactured.
- For Product code please refer page No xx

Industrial Floor Trunking Accessories - IFTA

Industrial Floor Trunking Vertical Inside (Radial) Bend

Type of Tray	Profile Type	Accessory Type	Width	Height	Thk	Material	Finish	Radius
IFTA	IB	30VIB	Please refer below table			MS	BK	R01
		45VIB				PG	HD	R03
		60VIB				AL	PT	R04
		90VIB				S4	PC	R06
						S6	PP	R09
								R12

FOR Example: IFTA-IB-30VIB-050-015-2.0-MS-HD-R03



Height (mm)	Width (mm)	Thickness (mm)			
35	100	1.5	2.0	2.5	3.0
35	150	1.5	2.0	2.5	3.0
35	300	1.5	2.0	2.5	3.0
35	350	1.5	2.0	2.5	3.0
35	400	1.5	2.0	2.5	3.0

Height (mm)	Width (mm)	Thickness (mm)			
75	100	1.5	2.0	2.5	3.0
75	150	1.5	2.0	2.5	3.0
75	300	1.5	2.0	2.5	3.0
75	350	1.5	2.0	2.5	3.0
75	400	1.5	2.0	2.5	3.0

Height (mm)	Width (mm)	Thickness (mm)			
50	100	1.5	2.0	2.5	3.0
50	150	1.5	2.0	2.5	3.0
50	300	1.5	2.0	2.5	3.0
50	350	1.5	2.0	2.5	3.0
50	400	1.5	2.0	2.5	3.0

Height (mm)	Width (mm)	Thickness (mm)			
100	100	1.5	2.0	2.5	3.0
100	150	1.5	2.0	2.5	3.0
100	300	1.5	2.0	2.5	3.0
100	350	1.5	2.0	2.5	3.0
100	400	1.5	2.0	2.5	3.0

Note:

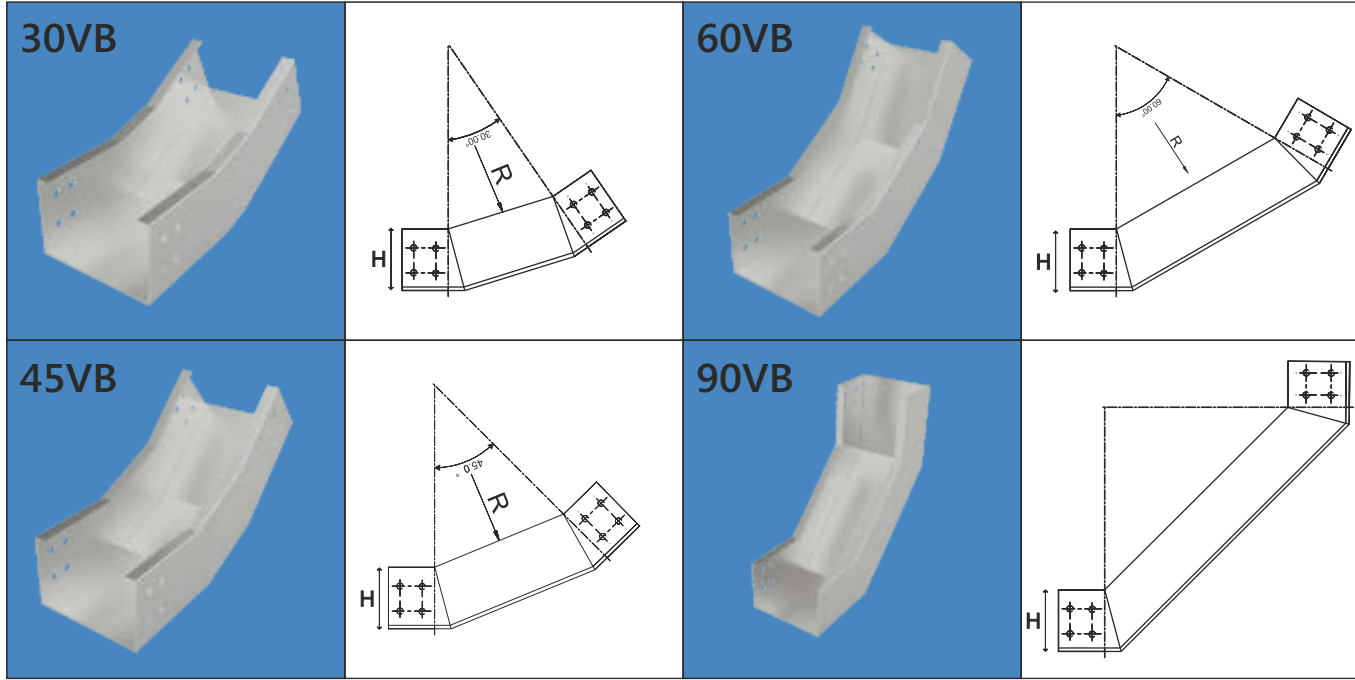
1. Above all Sizes are standard, Tailor-made sizes can be manufactured.
2. For Product code please refer page No xx

Industrial Floor Trunking Accessories - IFTA

Industrial Floor Trunking Vertical Inside (NON-Radial) Bend

Type of Tray	Profile Type	Accessory Type	Width	Height	Thk	Material	Finish	Radius
IFTA	IB	30VIB	Please refer below table			MS	BK	NR
		45VIB				PG	HD	
		60VIB				AL	PT	
		90VIB				S4	PC	
						S6	PP	

FOR Example:IFTA-IB-30VIB-050-015-2.0-MS-HD-NR



Height (mm)	Width (mm)	Thickness (mm)			
35	100	1.5	2.0	2.5	3.0
35	150	1.5	2.0	2.5	3.0
35	300	1.5	2.0	2.5	3.0
35	350	1.5	2.0	2.5	3.0
35	400	1.5	2.0	2.5	3.0

Height (mm)	Width (mm)	Thickness (mm)			
75	100	1.5	2.0	2.5	3.0
75	150	1.5	2.0	2.5	3.0
75	300	1.5	2.0	2.5	3.0
75	350	1.5	2.0	2.5	3.0
75	400	1.5	2.0	2.5	3.0

Height (mm)	Width (mm)	Thickness (mm)			
50	100	1.5	2.0	2.5	3.0
50	150	1.5	2.0	2.5	3.0
50	300	1.5	2.0	2.5	3.0
50	350	1.5	2.0	2.5	3.0
50	400	1.5	2.0	2.5	3.0

Height (mm)	Width (mm)	Thickness (mm)			
100	100	1.5	2.0	2.5	3.0
100	150	1.5	2.0	2.5	3.0
100	300	1.5	2.0	2.5	3.0
100	350	1.5	2.0	2.5	3.0
100	400	1.5	2.0	2.5	3.0

Note:

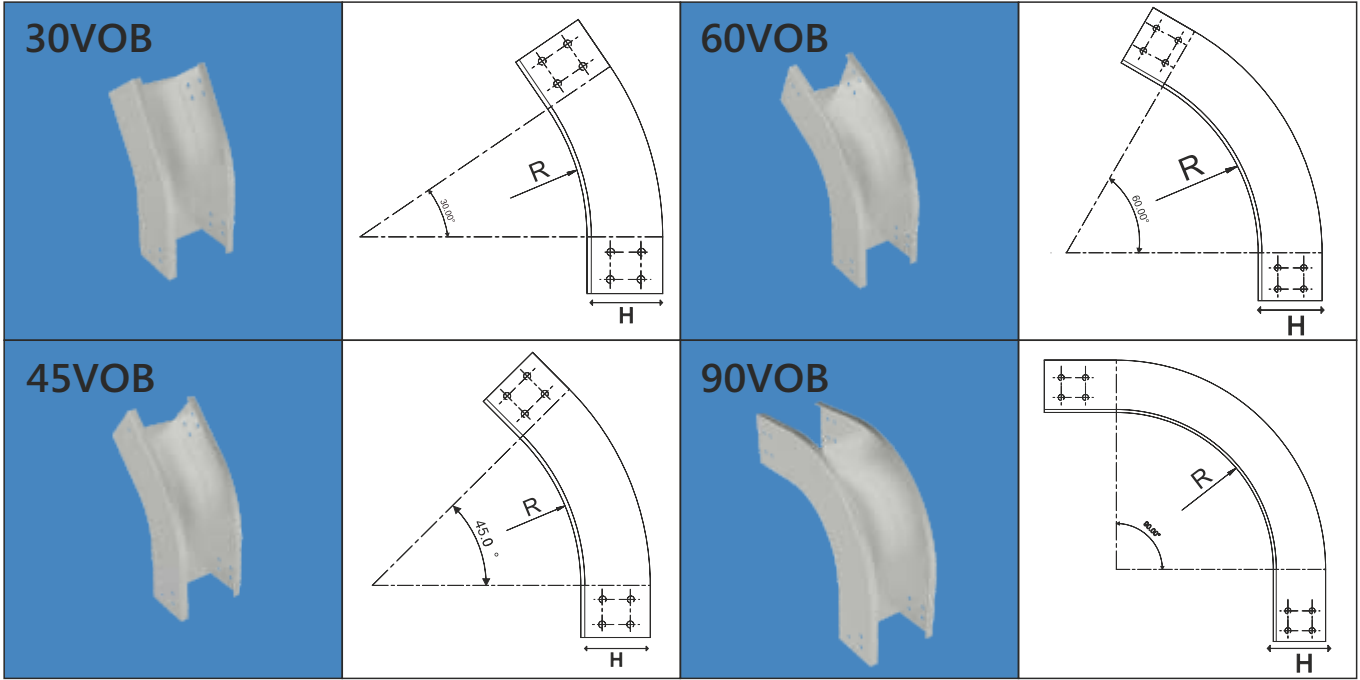
- Above all Sizes are standard, Tailor-made sizes can be manufactured.
- For Product code please refer page No xx

Industrial Floor Trunking Accessories - IFTA

Industrial Floor Trunking Vertical Outside (Radial) Bend

Type of Tray	Profile Type	Accessory Type	Width	Height	Thk	Material	Finish	Radius
IFTA	IB	30VOB	Please refer below table			MS	BK	R01
		45VOB				PG	HD	R03
		60VOB				AL	PT	R04
		90VOB				S4	PC	R06
						S6	PP	R09
								R12

FOR Example: IFTA-IB-30VIB-050-015-2.0-MS-HD-R03



Height (mm)	Width (mm)	Thickness (mm)			
35	100	1.5	2.0	2.5	3.0
35	150	1.5	2.0	2.5	3.0
35	300	1.5	2.0	2.5	3.0
35	350	1.5	2.0	2.5	3.0
35	400	1.5	2.0	2.5	3.0

Height (mm)	Width (mm)	Thickness (mm)			
75	100	1.5	2.0	2.5	3.0
75	150	1.5	2.0	2.5	3.0
75	300	1.5	2.0	2.5	3.0
75	350	1.5	2.0	2.5	3.0
75	400	1.5	2.0	2.5	3.0

Height (mm)	Width (mm)	Thickness (mm)			
50	100	1.5	2.0	2.5	3.0
50	150	1.5	2.0	2.5	3.0
50	300	1.5	2.0	2.5	3.0
50	350	1.5	2.0	2.5	3.0
50	400	1.5	2.0	2.5	3.0

Height (mm)	Width (mm)	Thickness (mm)			
100	100	1.5	2.0	2.5	3.0
100	150	1.5	2.0	2.5	3.0
100	300	1.5	2.0	2.5	3.0
100	350	1.5	2.0	2.5	3.0
100	400	1.5	2.0	2.5	3.0

Note:

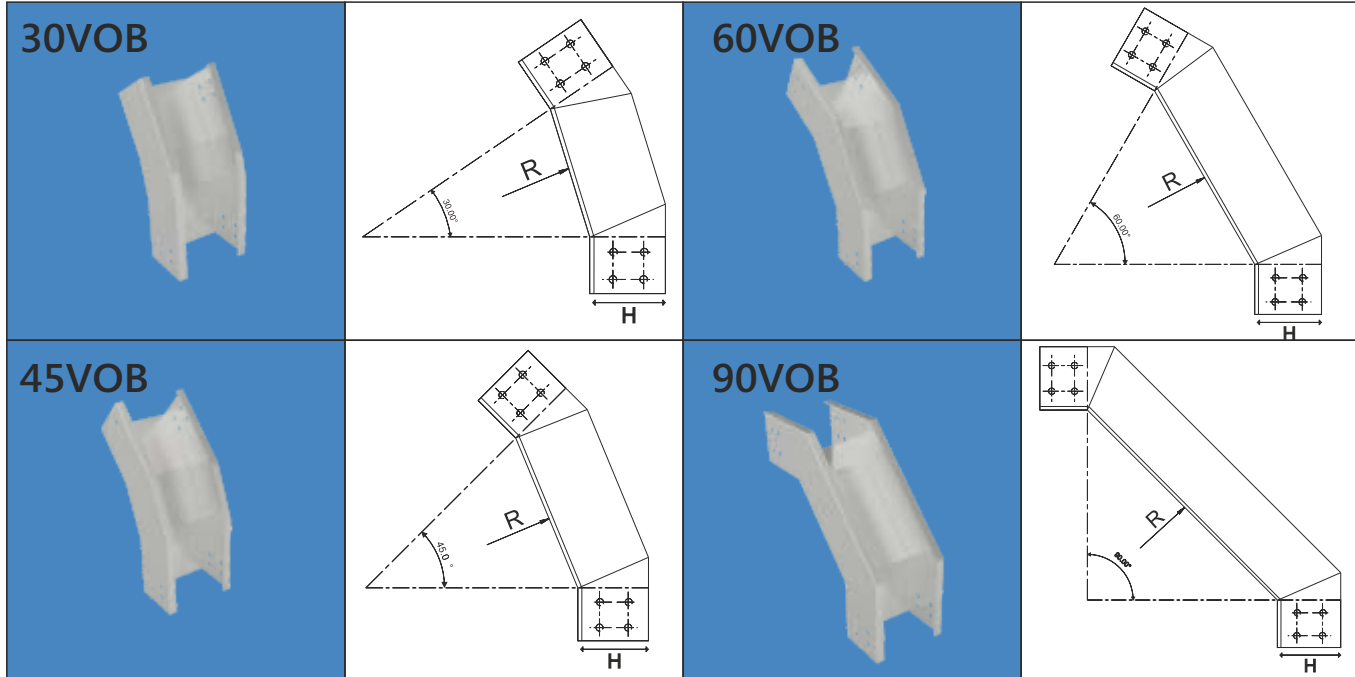
1. Above all Sizes are standard, Tailor-made sizes can be manufactured.
2. For Product code please refer page No xx

Industrial Floor Trunking Accessories - IFTA

Industrial Floor Trunking Vertical Outside (NON-Radial) Bend

Type of Tray	Profile Type	Accessory Type	Width	Height	Thk	Material	Finish	Radius
IFTA	IB	30VIB	Please refer below table			MS	BK	NR
		45VIB				PG	HD	
		60VIB				AL	PT	
		90VIB				S4	PC	
						S6	PP	

FOR Example: IFTA-IB-30VIB-050-015-2.0-MS-HD-NR



Height (mm)	Width (mm)	Thickness (mm)			
35	100	1.5	2.0	2.5	3.0
35	150	1.5	2.0	2.5	3.0
35	300	1.5	2.0	2.5	3.0
35	350	1.5	2.0	2.5	3.0
35	400	1.5	2.0	2.5	3.0

Height (mm)	Width (mm)	Thickness (mm)			
75	100	1.5	2.0	2.5	3.0
75	150	1.5	2.0	2.5	3.0
75	300	1.5	2.0	2.5	3.0
75	350	1.5	2.0	2.5	3.0
75	400	1.5	2.0	2.5	3.0

Height (mm)	Width (mm)	Thickness (mm)			
50	100	1.5	2.0	2.5	3.0
50	150	1.5	2.0	2.5	3.0
50	300	1.5	2.0	2.5	3.0
50	350	1.5	2.0	2.5	3.0
50	400	1.5	2.0	2.5	3.0

Height (mm)	Width (mm)	Thickness (mm)			
100	100	1.5	2.0	2.5	3.0
100	150	1.5	2.0	2.5	3.0
100	300	1.5	2.0	2.5	3.0
100	350	1.5	2.0	2.5	3.0
100	400	1.5	2.0	2.5	3.0

Note:

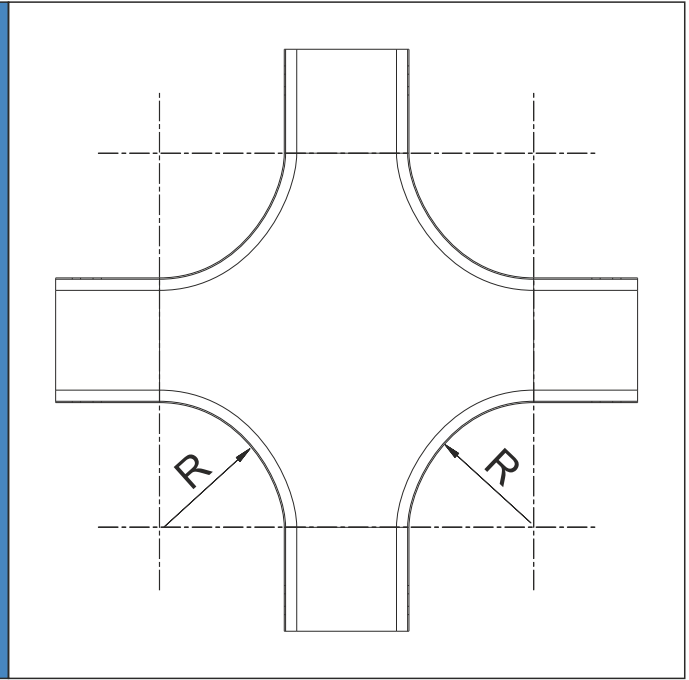
- Above all Sizes are standard, Tailor-made sizes can be manufactured.
- For Product code please refer page No xx

Industrial Floor Trunking Accessories - IFTA

Industrial Floor Trunking Cross (Radial) Bend

Type of Tray	Profile Type	Accessory Type	Width	Height	Thk	Material	Finish	Radius
IFTA	IB	CR	Please refer below table			MS	BK	R01
						PG	HD	R03
						AL	PT	R04
						S4	PC	R06
						S6	PP	R09
								R12

FOR Example:IFTA-IB-30VIB-050-015-2.0-MS-HD-R03



Height (mm)	Width (mm)	Thickness (mm)			
35	100	1.5	2.0	2.5	3.0
35	150	1.5	2.0	2.5	3.0
35	300	1.5	2.0	2.5	3.0
35	350	1.5	2.0	2.5	3.0
35	400	1.5	2.0	2.5	3.0

Height (mm)	Width (mm)	Thickness (mm)			
75	100	1.5	2.0	2.5	3.0
75	150	1.5	2.0	2.5	3.0
75	300	1.5	2.0	2.5	3.0
75	350	1.5	2.0	2.5	3.0
75	400	1.5	2.0	2.5	3.0

Height (mm)	Width (mm)	Thickness (mm)			
50	100	1.5	2.0	2.5	3.0
50	150	1.5	2.0	2.5	3.0
50	300	1.5	2.0	2.5	3.0
50	350	1.5	2.0	2.5	3.0
50	400	1.5	2.0	2.5	3.0

Height (mm)	Width (mm)	Thickness (mm)			
100	100	1.5	2.0	2.5	3.0
100	150	1.5	2.0	2.5	3.0
100	300	1.5	2.0	2.5	3.0
100	350	1.5	2.0	2.5	3.0
100	400	1.5	2.0	2.5	3.0

Note:

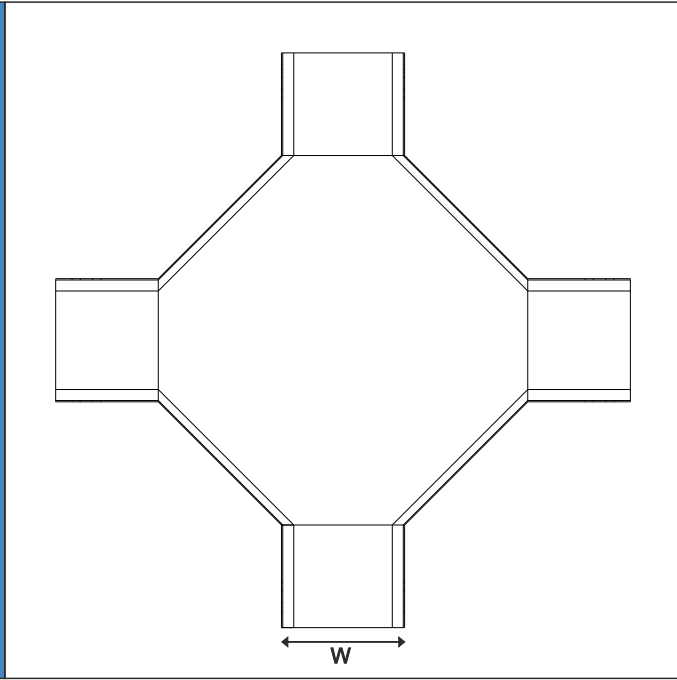
1. Above all Sizes are standard, Tailor-made sizes can be manufactured.
2. For Product code please refer page No xx

Industrial Floor Trunking Accessories - IFTA

Industrial Floor Trunking Cross (Non-Radial) Bend

Type of Tray	Profile Type	Accessory Type	Width	Height	Thk	Material	Finish	Radius
IFTA	IB	CR	Please refer below table			MS	BK	NR
						PG	HD	
						AL	PT	
						S4	PC	
						S6	PP	

FOR Example: IFTA-IB-30VIB-050-015-2.0-MS-HD-NR



Height (mm)	Width (mm)	Thickness (mm)			
35	100	1.5	2.0	2.5	3.0
35	150	1.5	2.0	2.5	3.0
35	300	1.5	2.0	2.5	3.0
35	350	1.5	2.0	2.5	3.0
35	400	1.5	2.0	2.5	3.0

Height (mm)	Width (mm)	Thickness (mm)			
75	100	1.5	2.0	2.5	3.0
75	150	1.5	2.0	2.5	3.0
75	300	1.5	2.0	2.5	3.0
75	350	1.5	2.0	2.5	3.0
75	400	1.5	2.0	2.5	3.0

Height (mm)	Width (mm)	Thickness (mm)			
50	100	1.5	2.0	2.5	3.0
50	150	1.5	2.0	2.5	3.0
50	300	1.5	2.0	2.5	3.0
50	350	1.5	2.0	2.5	3.0
50	400	1.5	2.0	2.5	3.0

Height (mm)	Width (mm)	Thickness (mm)			
100	100	1.5	2.0	2.5	3.0
100	150	1.5	2.0	2.5	3.0
100	300	1.5	2.0	2.5	3.0
100	350	1.5	2.0	2.5	3.0
100	400	1.5	2.0	2.5	3.0

Note:

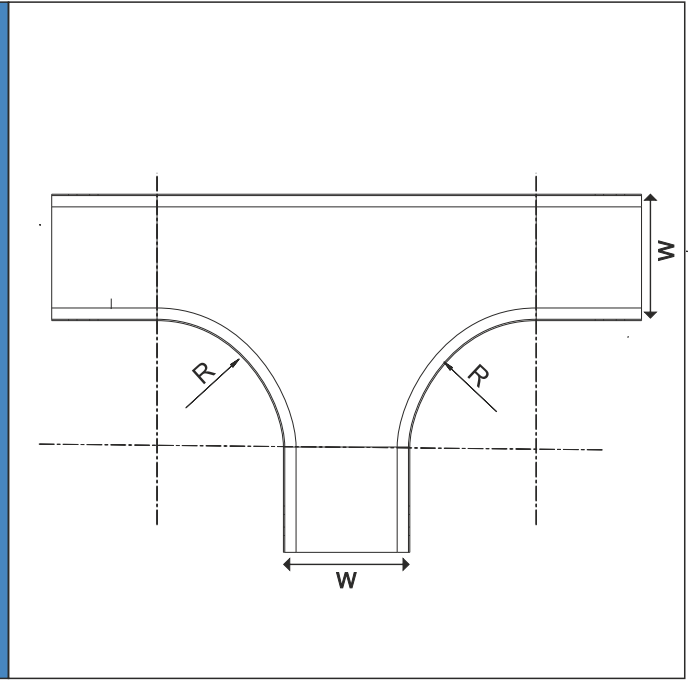
- Above all Sizes are standard, Tailor-made sizes can be manufactured.
- For Product code please refer page No xx

Industrial Floor Trunking Accessories - IFTA

Industrial Floor Trunking Tee (Radial) Bend

Type of Tray	Profile Type	Accessory Type	Width	Height	Thk	Material	Finish	Radius
IFTA	IB	RTEE	Please refer below table			MS	BK	R01
						PG	HD	R03
						AL	PT	R04
						S4	PC	R06
						S6	PP	R09
								R12

FOR Example:IFTA-RTEE-050-025-2.0-MS-HD-R01



Height (mm)	Width (mm)	Thickness (mm)			
35	100	1.5	2.0	2.5	3.0
35	150	1.5	2.0	2.5	3.0
35	300	1.5	2.0	2.5	3.0
35	350	1.5	2.0	2.5	3.0
35	400	1.5	2.0	2.5	3.0

Height (mm)	Width (mm)	Thickness (mm)			
75	100	1.5	2.0	2.5	3.0
75	150	1.5	2.0	2.5	3.0
75	300	1.5	2.0	2.5	3.0
75	350	1.5	2.0	2.5	3.0
75	400	1.5	2.0	2.5	3.0

Height (mm)	Width (mm)	Thickness (mm)			
50	100	1.5	2.0	2.5	3.0
50	150	1.5	2.0	2.5	3.0
50	300	1.5	2.0	2.5	3.0
50	350	1.5	2.0	2.5	3.0
50	400	1.5	2.0	2.5	3.0

Height (mm)	Width (mm)	Thickness (mm)			
100	100	1.5	2.0	2.5	3.0
100	150	1.5	2.0	2.5	3.0
100	300	1.5	2.0	2.5	3.0
100	350	1.5	2.0	2.5	3.0
100	400	1.5	2.0	2.5	3.0

Note:

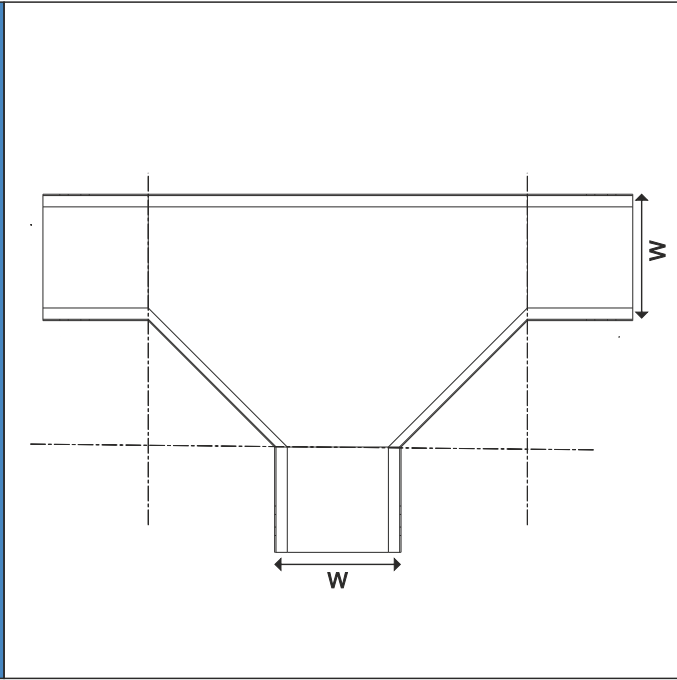
- Above all Sizes are standard, Tailor-made sizes can be manufactured.
- For Product code please refer page No xx

Industrial Floor Trunking Accessories - IFTA

Industrial Floor Trunking Tee (Non-Radial) Bend

Type of Tray	Profile Type	Accessory Type	Width	Height	Thk	Material	Finish	Radius
IFTA	IB	RTEE	Please refer below table			MS	BK	NR
						PG	HD	
						AL	PT	
						S4	PC	
						S6	PP	

FOR Example:IFTA-RTEE-050-025-2.0-MS-HD-R01



Height (mm)	Width (mm)	Thickness (mm)			
35	100	1.5	2.0	2.5	3.0
35	150	1.5	2.0	2.5	3.0
35	300	1.5	2.0	2.5	3.0
35	350	1.5	2.0	2.5	3.0
35	400	1.5	2.0	2.5	3.0

Height (mm)	Width (mm)	Thickness (mm)			
75	100	1.5	2.0	2.5	3.0
75	150	1.5	2.0	2.5	3.0
75	300	1.5	2.0	2.5	3.0
75	350	1.5	2.0	2.5	3.0
75	400	1.5	2.0	2.5	3.0

Height (mm)	Width (mm)	Thickness (mm)			
50	100	1.5	2.0	2.5	3.0
50	150	1.5	2.0	2.5	3.0
50	300	1.5	2.0	2.5	3.0
50	350	1.5	2.0	2.5	3.0
50	400	1.5	2.0	2.5	3.0

Height (mm)	Width (mm)	Thickness (mm)			
100	100	1.5	2.0	2.5	3.0
100	150	1.5	2.0	2.5	3.0
100	300	1.5	2.0	2.5	3.0
100	350	1.5	2.0	2.5	3.0
100	400	1.5	2.0	2.5	3.0

Note:

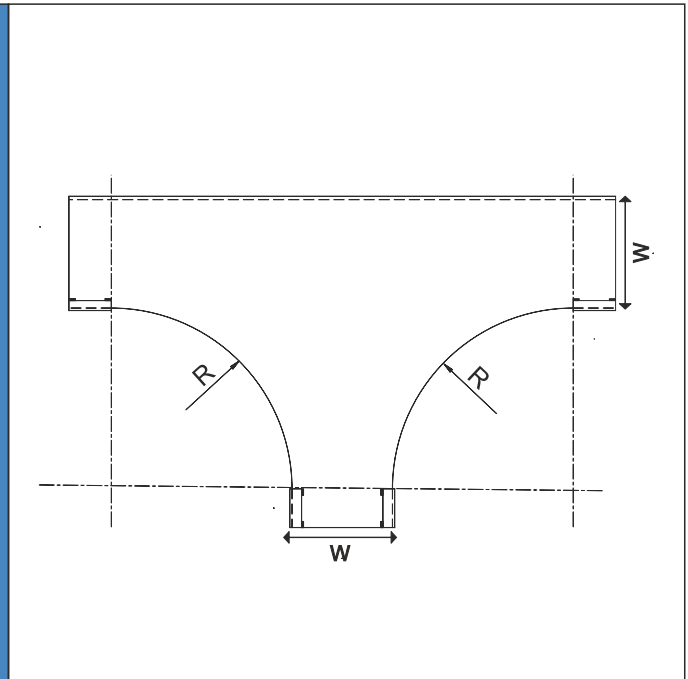
1. Above all Sizes are standard, Tailor-made sizes can be manufactured.
2. For Product code please refer page No xx

Industrial Floor Trunking Accessories - IFTA

Industrial Floor Trunking Tee Unequal (Radial) Bend

Type of Tray	Profile Type	Accessory Type	Width	Height	Thk	Material	Finish	Radius
IFTA	IB	UTEE	Please refer below table			MS	BK	R01
						PG	HD	R03
						AL	PT	R04
						S4	PC	R06
						S6	PP	R09
								R12

FOR Example:IFTA-UTEE-050-025-2.0-MS-HD-R01



Height (mm)	Width (mm)	Thickness (mm)			
35	100	1.5	2.0	2.5	3.0
35	150	1.5	2.0	2.5	3.0
35	300	1.5	2.0	2.5	3.0
35	350	1.5	2.0	2.5	3.0
35	400	1.5	2.0	2.5	3.0

Height (mm)	Width (mm)	Thickness (mm)			
75	100	1.5	2.0	2.5	3.0
75	150	1.5	2.0	2.5	3.0
75	300	1.5	2.0	2.5	3.0
75	350	1.5	2.0	2.5	3.0
75	400	1.5	2.0	2.5	3.0

Height (mm)	Width (mm)	Thickness (mm)			
50	100	1.5	2.0	2.5	3.0
50	150	1.5	2.0	2.5	3.0
50	300	1.5	2.0	2.5	3.0
50	350	1.5	2.0	2.5	3.0
50	400	1.5	2.0	2.5	3.0

Height (mm)	Width (mm)	Thickness (mm)			
100	100	1.5	2.0	2.5	3.0
100	150	1.5	2.0	2.5	3.0
100	300	1.5	2.0	2.5	3.0
100	350	1.5	2.0	2.5	3.0
100	400	1.5	2.0	2.5	3.0

Note:

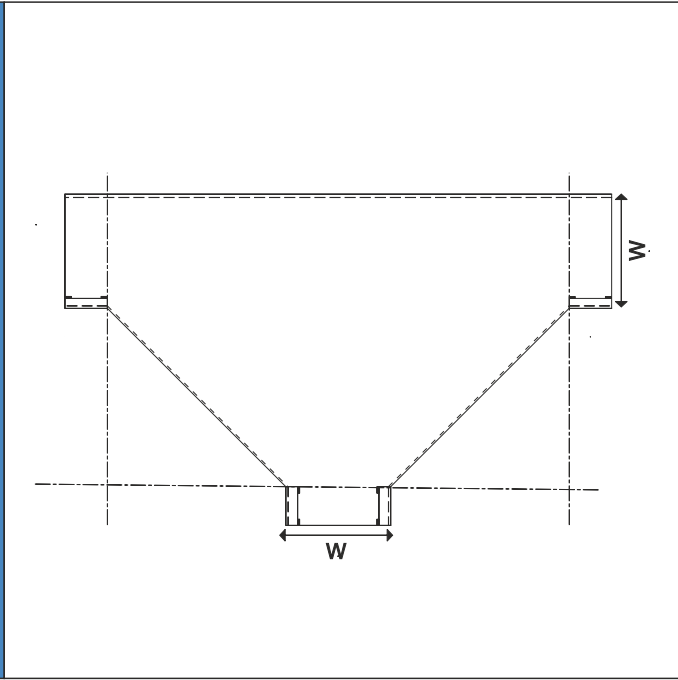
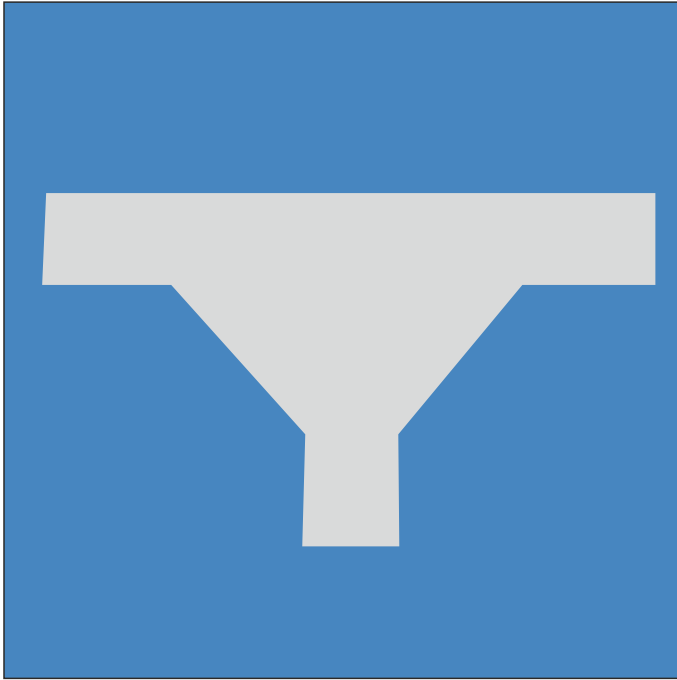
1. Above all Sizes are standard, Tailor-made sizes can be manufactured.
2. For Product code please refer page No xx

Industrial Floor Trunking Accessories - IFTA

Industrial Floor Trunking Tee Unequal (Non-Radial) Bend

Type of Tray	Profile Type	Accessory Type	Width	Height	Thk	Material	Finish	Radius
IFTA	IB	30VIB	Please refer below table			MS	BK	NR
		45VIB				PG	HD	
		60VIB				AL	PT	
		90VIB				S4	PC	
						S6	PP	

FOR Example:IFTA-UTEE-050-025-2.0-MS-HD-NR



Height (mm)	Width (mm)	Thickness (mm)			
35	100	1.5	2.0	2.5	3.0
35	150	1.5	2.0	2.5	3.0
35	300	1.5	2.0	2.5	3.0
35	350	1.5	2.0	2.5	3.0
35	400	1.5	2.0	2.5	3.0

Height (mm)	Width (mm)	Thickness (mm)			
75	100	1.5	2.0	2.5	3.0
75	150	1.5	2.0	2.5	3.0
75	300	1.5	2.0	2.5	3.0
75	350	1.5	2.0	2.5	3.0
75	400	1.5	2.0	2.5	3.0

Height (mm)	Width (mm)	Thickness (mm)			
50	100	1.5	2.0	2.5	3.0
50	150	1.5	2.0	2.5	3.0
50	300	1.5	2.0	2.5	3.0
50	350	1.5	2.0	2.5	3.0
50	400	1.5	2.0	2.5	3.0

Height (mm)	Width (mm)	Thickness (mm)			
100	100	1.5	2.0	2.5	3.0
100	150	1.5	2.0	2.5	3.0
100	300	1.5	2.0	2.5	3.0
100	350	1.5	2.0	2.5	3.0
100	400	1.5	2.0	2.5	3.0

Note:

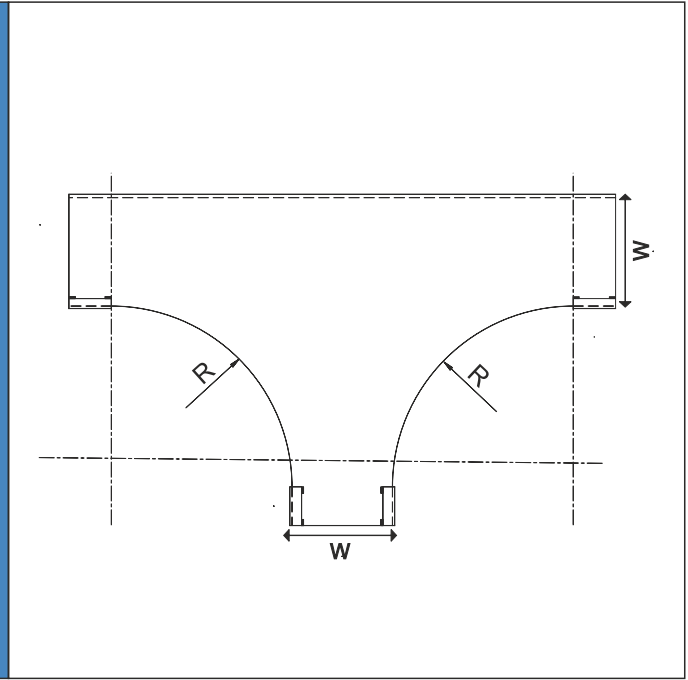
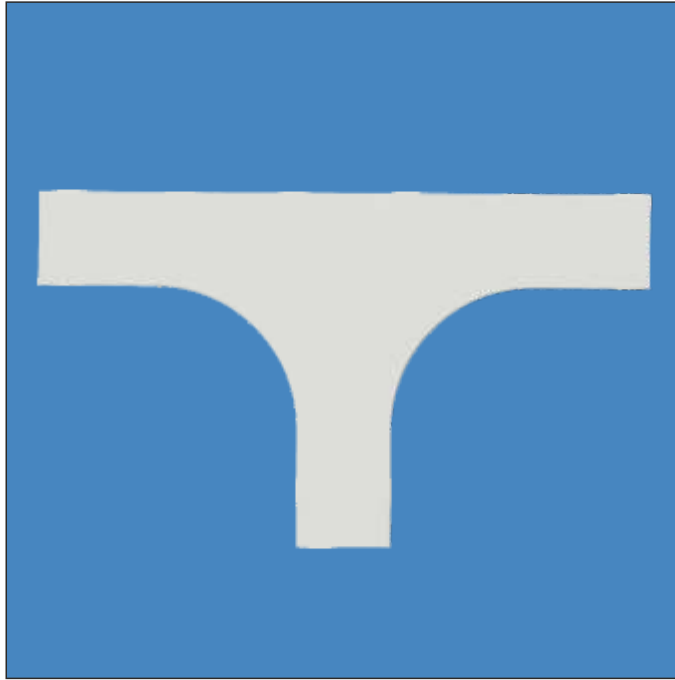
1. Above all Sizes are standard, Tailor-made sizes can be manufactured.
2. For Product code please refer page No xx

Industrial Floor Trunking Accessories - IFTA

Industrial Floor Trunking Tee Unequal (Radial) Bend

Type of Tray	Profile Type	Accessory Type	Width	Height	Thk	Material	Finish	Radius
IFTA	IB	VTEE	Please refer below table			MS	BK	R01
						PG	HD	R03
						AL	PT	R04
						S4	PC	R06
						S6	PP	R09
								R12

FOR Example:IFTA-VTEE-050-025-2.0-MS-HD-R03



Height (mm)	Width (mm)	Thickness (mm)			
35	100	1.5	2.0	2.5	3.0
35	150	1.5	2.0	2.5	3.0
35	300	1.5	2.0	2.5	3.0
35	350	1.5	2.0	2.5	3.0
35	400	1.5	2.0	2.5	3.0

Height (mm)	Width (mm)	Thickness (mm)			
75	100	1.5	2.0	2.5	3.0
75	150	1.5	2.0	2.5	3.0
75	300	1.5	2.0	2.5	3.0
75	350	1.5	2.0	2.5	3.0
75	400	1.5	2.0	2.5	3.0

Height (mm)	Width (mm)	Thickness (mm)			
50	100	1.5	2.0	2.5	3.0
50	150	1.5	2.0	2.5	3.0
50	300	1.5	2.0	2.5	3.0
50	350	1.5	2.0	2.5	3.0
50	400	1.5	2.0	2.5	3.0

Height (mm)	Width (mm)	Thickness (mm)			
100	100	1.5	2.0	2.5	3.0
100	150	1.5	2.0	2.5	3.0
100	300	1.5	2.0	2.5	3.0
100	350	1.5	2.0	2.5	3.0
100	400	1.5	2.0	2.5	3.0

Note:

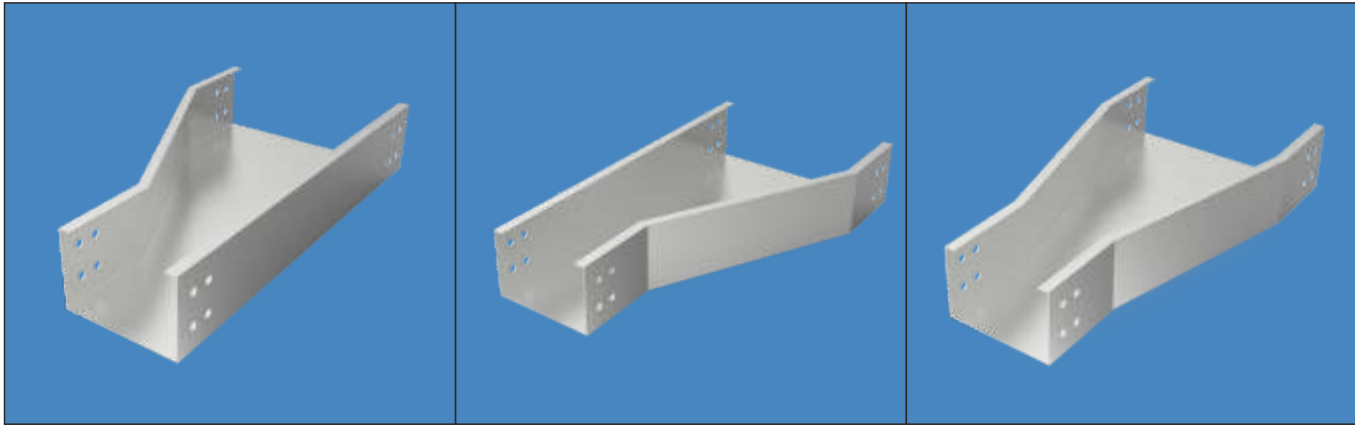
1. Above all Sizes are standard, Tailor-made sizes can be manufactured.
2. For Product code please refer page No xx

Industrial Floor Trunking Accessories - IFTA

Industrial Floor Trunking Reducer Bend

Type of Tray	Profile	Width	Height	Thk	Material	Finish
IFTA	REDI	Please refer below table			MS	BK
	REDR				PG	HD
	REDC				AL	PT
					S4	PC
					S6	

FOR Example:IFTA-REDI-050-025-2.0-MS-HD



Height (mm)	Width (mm)	Thickness (mm)			
35	100	1.5	2.0	2.5	3.0
35	150	1.5	2.0	2.5	3.0
35	300	1.5	2.0	2.5	3.0
35	350	1.5	2.0	2.5	3.0
35	400	1.5	2.0	2.5	3.0

Height (mm)	Width (mm)	Thickness (mm)			
75	100	1.5	2.0	2.5	3.0
75	150	1.5	2.0	2.5	3.0
75	300	1.5	2.0	2.5	3.0
75	350	1.5	2.0	2.5	3.0
75	400	1.5	2.0	2.5	3.0

Height (mm)	Width (mm)	Thickness (mm)			
50	100	1.5	2.0	2.5	3.0
50	150	1.5	2.0	2.5	3.0
50	300	1.5	2.0	2.5	3.0
50	350	1.5	2.0	2.5	3.0
50	400	1.5	2.0	2.5	3.0

Height (mm)	Width (mm)	Thickness (mm)			
100	100	1.5	2.0	2.5	3.0
100	150	1.5	2.0	2.5	3.0
100	300	1.5	2.0	2.5	3.0
100	350	1.5	2.0	2.5	3.0
100	400	1.5	2.0	2.5	3.0

Note:

1. Above all Sizes are standard, Tailor-made sizes can be manufactured.
2. For Product code please refer page No xx

Wire Mesh Cable Tray - (WMCT)

NOMENCLATURE

WMCT	050	050	4.5	2500	09	MS	HD			
I	II	III	IV	V	VI	VII	VIII			

I. Basic Designation

WMCT - Wire Mesh Cable Tray

III. Width

- 050 - 50mm - 200 - 200mm - 450 - 450mm
- 100 - 100mm - 250 - 250mm - 600 - 600mm
- 150 - 150mm - 300 - 300mm

IV. Height

- 50 - 50MM - 100 - 100mm
- 75 - 75MM - 150 - 150mm

V. Diameter of wire

- 4.0 - 4.0mm - 6.0 - 6.0mm
- 5.0 - 5.0mm

VI. Length

- 2500 - 2500mm - 3000 - 3000mm

VII. No. OF wire

- 5 - 5 Nos -13 - 13 Nos
- 6 - 6 Nos -14 - 14 Nos
- 7 - 7 Nos -15 - 15 Nos
- 8 - 8 Nos -16 - 16 Nos
- 9 - 9 Nos -17 - 17 Nos
- 10 - 10 Nos -18 - 18 Nos
- 11 - 11 Nos -19 - 19 Nos
- 12 - 12 Nos -20 - 20 Nos

VVII. Material

- MS - Mild Steel - S4 - Stainless Steel 304
- S4 - Stainless Steel 304
- PG - Pre-Galvanized

VIII. Finish

- HD - Hot-Dip Galvanization - SC - Self Colour
- PC - Powder coated
- PP - Pickling & passivation



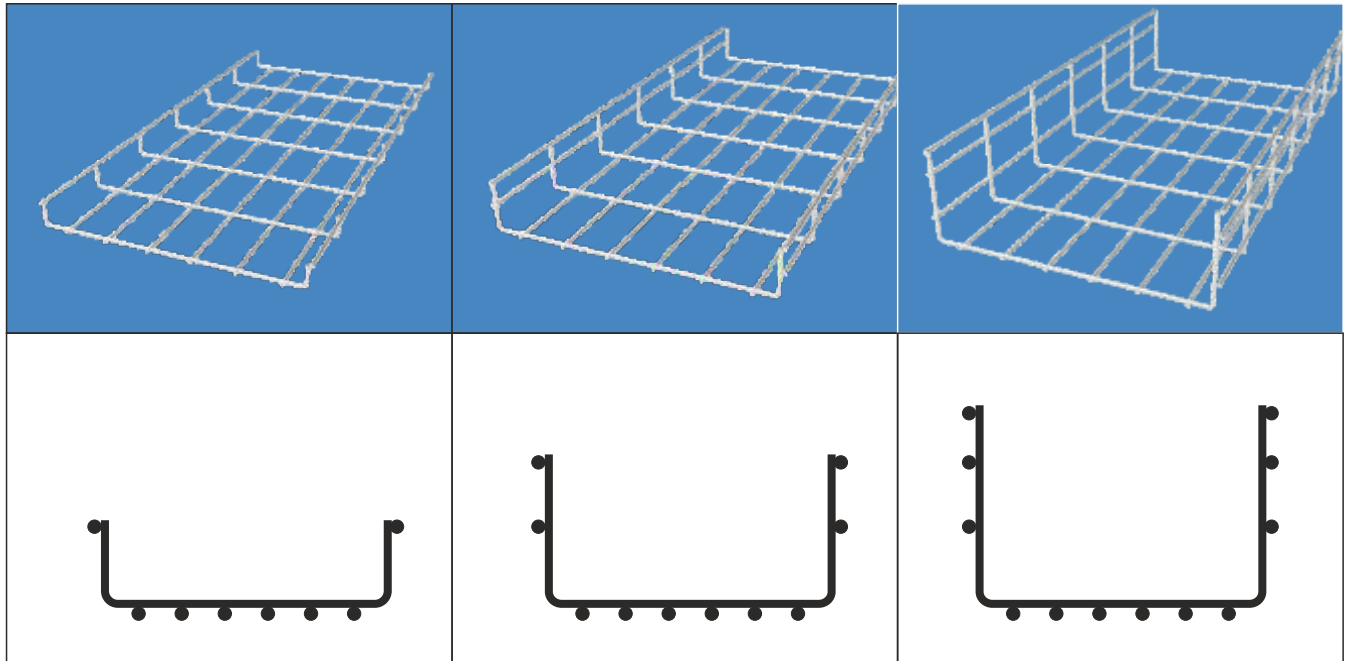
Wire Mesh Cable Tray - (WMCT)

Wire Mesh Cable Trays - (WMCT)

Perforated Horizontal Cross (Radial) Bend

Type of Tray	Width	Height	Wire Dia			Material	Finish				
WMCT	Please refer below table						MS	BK			
										PG	HD
										AL	PT
										S4	PC
										S6	

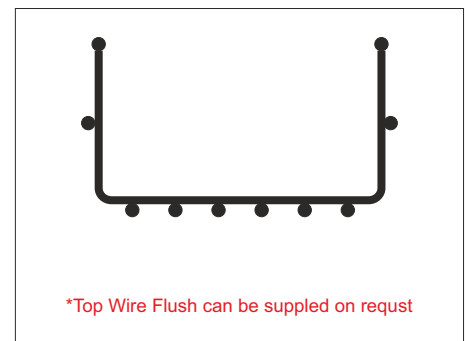
FOR Example:PCT-RTEE-050-025-2.0-600-MS-HD



Height (mm)	Width (mm)	Wire Dia (mm)	Loading (Kg/mtr)			
			5ft	6ft	8ft	9ft
25	100	4.5	30.3	15.1	5.4	3
25	150	4.5	30.3	15.1	5.4	3
25	200	4.5	30.3	15.1	5.4	3
25	300	5	30.3	15.1	5.4	3

Height (mm)	Width (mm)	Wire Dia (mm)	Loading (Kg/mtr)			
			5ft	6ft	8ft	9ft
50	100	4.5	60.4	35.4	15.1	8.1
50	150	4.5	60.4	35.4	15.1	8.1
50	200	4.5	60.4	35.4	15.1	8.1
50	300	5	60.4	35.4	15.1	8.1
50	400	6	90.7	75.6	50.4	40.3
50	450	6	90.7	75.6	50.4	40.3
50	500	6	90.7	75.6	50.4	40.3
50	600	6	90.7	75.6	50.4	40.3

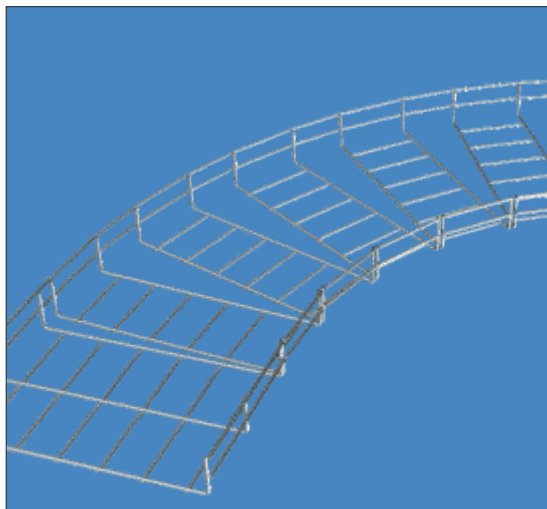
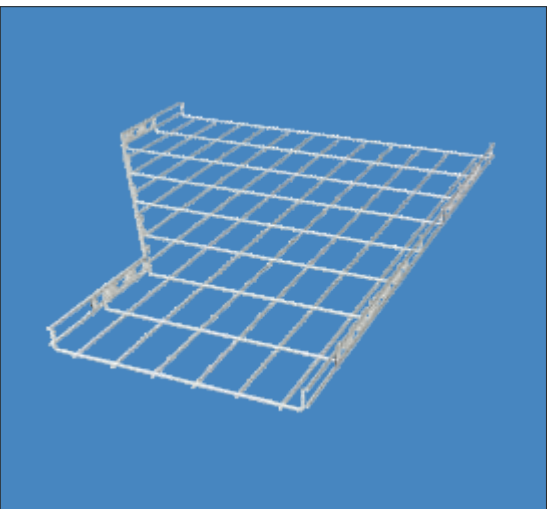
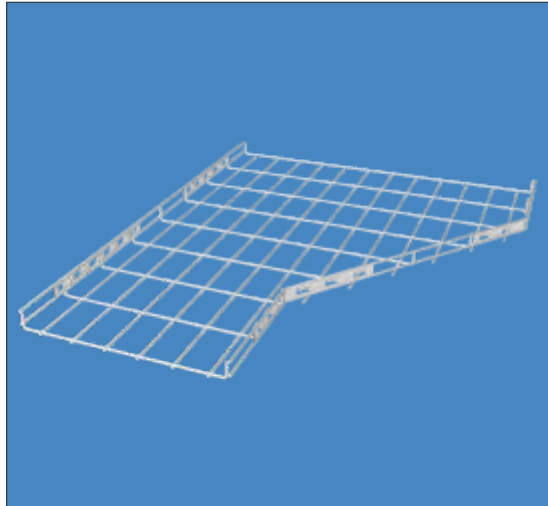
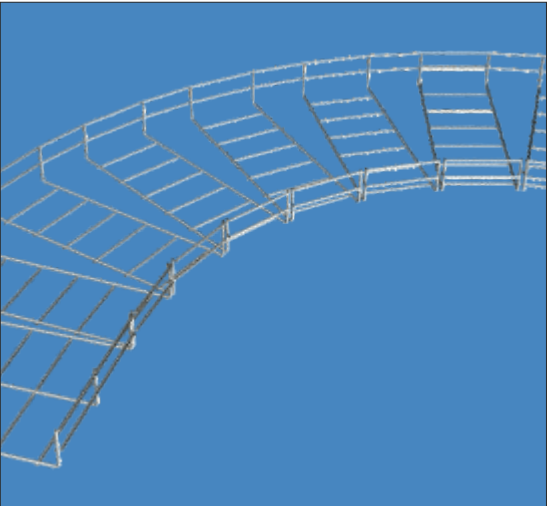
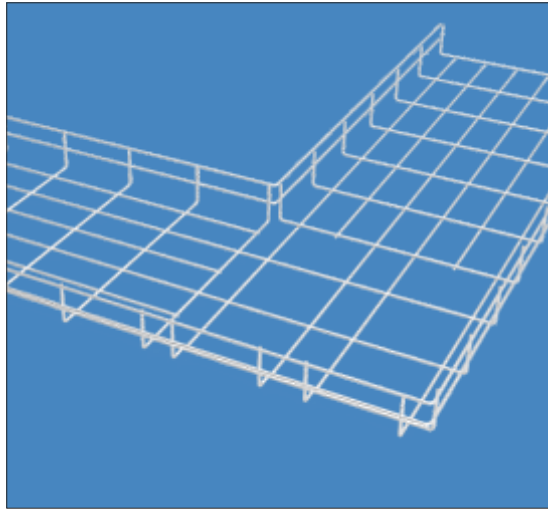
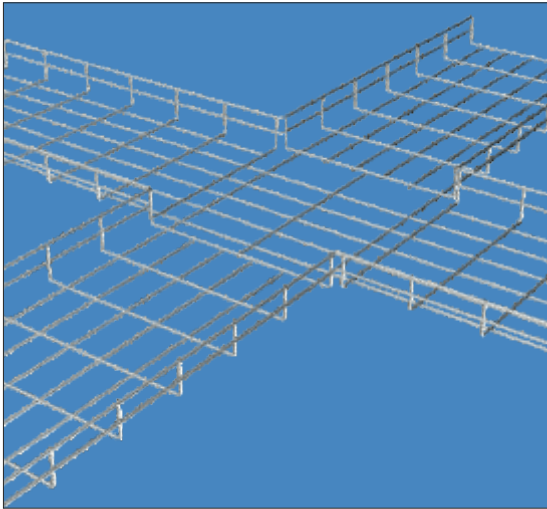
Height (mm)	Width (mm)	Wire Dia (mm)	Loading (Kg/mtr)			
			5ft	6ft	8ft	9ft
100	100	4.5	60.4	50.4	32.2	20.1
100	150	5	60.4	50.4	32.2	20.1
100	200	5	95.8	80.7	68.2	55.5
100	300	5	95.8	80.7	68.2	55.5
100	400	6	95.8	80.7	68.2	55.5
100	450	6	95.8	80.7	68.2	55.5
100	500	6	95.8	80.7	68.2	55.5



Note:

1. Above all Sizes are standard, Tailor-made sizes can be manufactured.
2. For Product code please refer page No xx

Wire Mesh Accessories - (WMA)



Note:

- 1. Above all Sizes are standard, Tailor-made sizes can be manufactured.
- 2. For Product code please refer page No xx

FRP Cable Tray- (FRP)



Indiana Started operations in the year 1968 as pioneers in the supply of gratings and cable trays in India, and is today recognized as a multi product and diversified group supplying to customers worldwide.

Suppliers

- **Cable trays and Accessories in FRP**, Mild steel, stainless steel and aluminium
- Gratings in FRP, mild steel, Stainless steel and aluminium
- Handrails

Indiana supply FRP Cable Trays for various industries like Chemicals, Petrochemicals, Refineries, Oilfield & Gas companies, Off shores, Ports, Power Plants Paper Mills, Jetties, Fertilizer Plants and various others, to suit **individual requirements.**

Indiana is associated with leading consultants, contractors and multinational companies worldwide and has been Selling its Products to Indian market as well as exporting to overseas markets especially to the Middle-East (Bahrain, Qatar, Kuwait, Oman, Saudi Arabia, UAE, etc.), Far-East (Singapore, Indonesia, Malaysia, Thailand, etc), Australia, United Kingdom, and U.S.A.

Indiana has been providing Fibreglass Reinforced Plastic gratings for walkways and other allied usages in Moulded and Pultruded type for years. FRP gratings are made of highest quality materials giving optimum chemical resistance, fire retardance, anti skid surface, strength, electrical insulation and ultra-violet protection. As FRP gratings are lightweight so can be cut to size as per client's requirement and can be installed quickly using standard working tools.

FRP Cable Tray- (FRP)



FRP Cable Tray- (FRP)

Indiana FRP cable trays are of the highest quality, they are strong, chemical resistant, fire retardant and provide electrical insulation and ultra violet protection.

Indiana FRP cable trays are lightweight, cut to length and can be installed quickly. They are elegant, attractive and lighter than MS cable trays.

Indiana FRP cable trays have been used world wide and have proved that they are of world class quality. Indiana offers competitive prices and a complete solution to corrosion.

FRP Cable Tray- (FRP)



Fibreglass Reinforced Plastics (FRP) are increasingly being considered as a superior material of construction in many fields. FRP has proved immensely beneficial in a wide range of Industrial applications due to the following salient features present in it.

The FRP advantages

In comparison to galvanized steel:

Corrosion resistance is not related to the zinc coating quality as on the steel. No risk of injury, Resistant to salt water, sulfur, chlorine or basic environments.

In comparison to aluminium:

No electrolytic corrosion due to contact of two metals in humid environment. Much more longer life span in basic chlorine or halogen atmosphere.

In comparison to stainless steel:

Absence of corrosion under tension (mechanical). Recommended in chlorine environments

In comparison to metals:

No earthing required. Resistance to corrosion contributes to reduce the life cycle costs (LCC) of installations. No requirement for electric continuity test. Will not deform under impact.

FRP Cable Tray- (FRP)

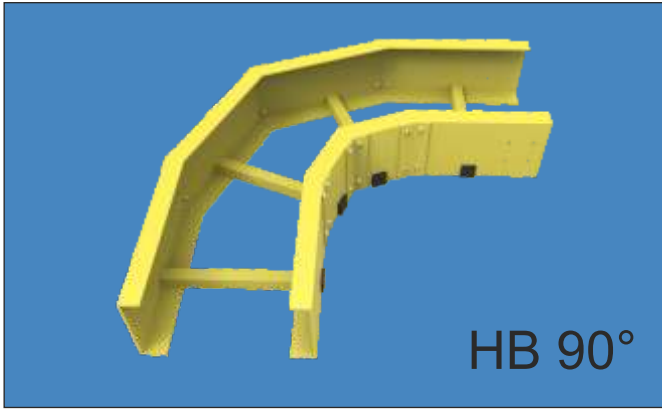


Indiana FRP cable trays are of the highest quality, they are strong, chemical resistant, fire retardant and provide electrical insulation and ultra violet protection.

Indiana FRP cable trays are lightweight, cut to length and can be installed quickly. They are elegant, attractive and lighter than MS cable trays.

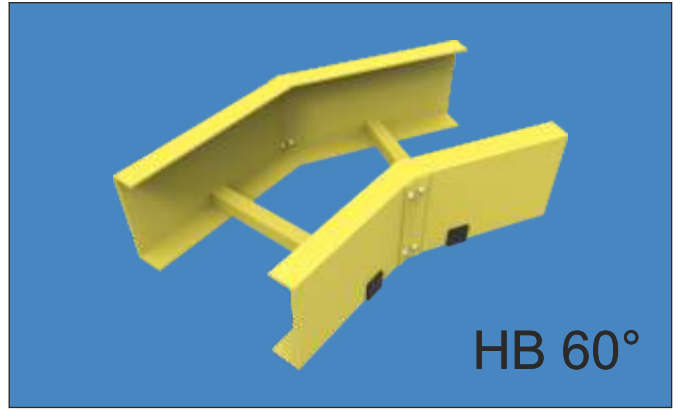
Indiana FRP cable trays have been used world wide and have proved that they are of world class quality. Indiana offers competitive prices and a complete solution to corrosion.

Fibreglass Cable Tray Assembly System



HB 90°

HORIZONTAL BEND 90°



HB 60°

HORIZONTAL BEND 60°



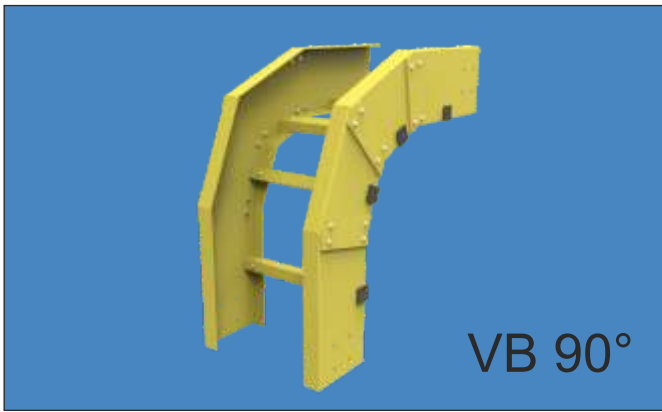
HB 45°

HORIZONTAL BEND 45°



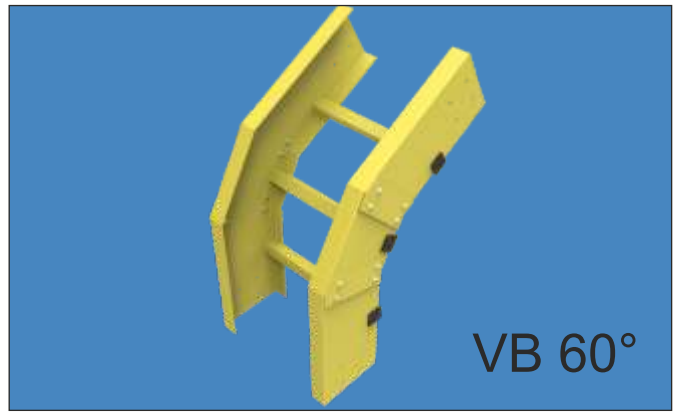
HB 30°

HORIZONTAL BEND 30°



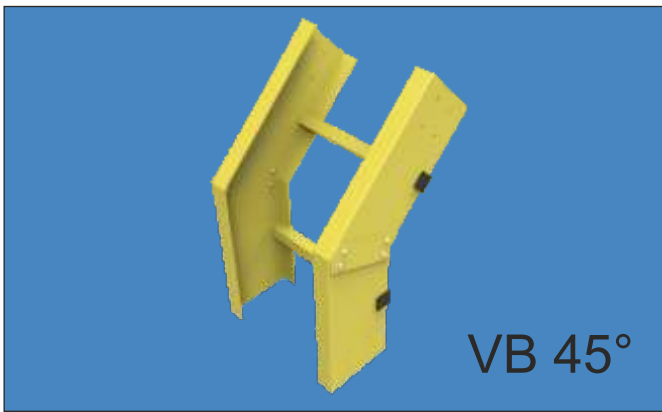
VB 90°

VERTICAL BEND 90°



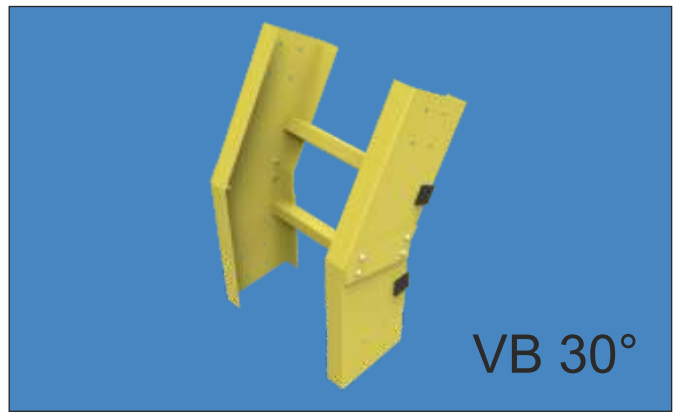
VB 60°

VERTICAL BEND 60°



VB 45°

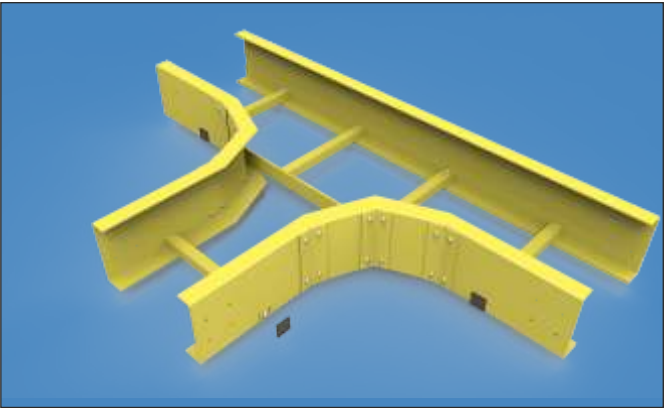
VERTICAL BEND 45°



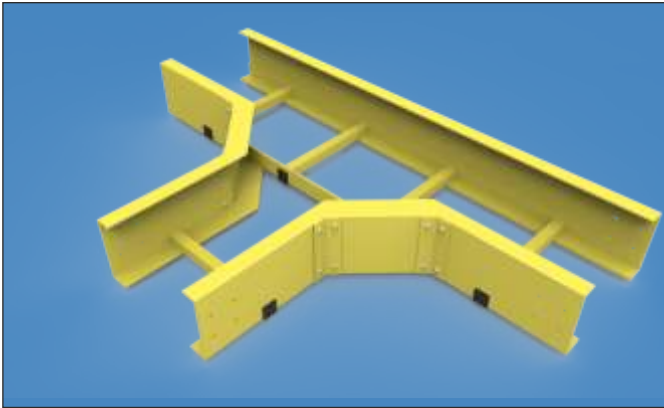
VB 30°

VERTICAL BEND 30°

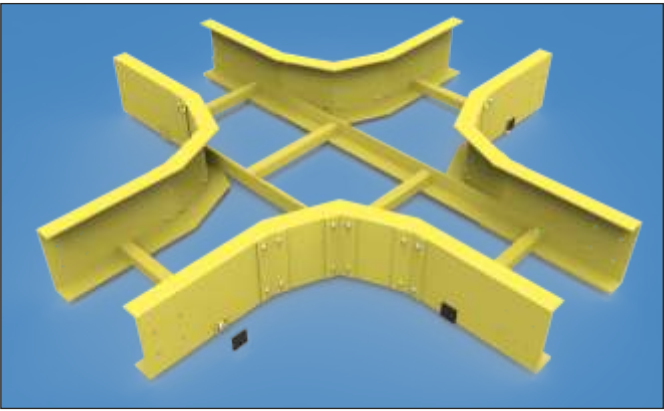
Fibreglass Cable Tray Assembly System



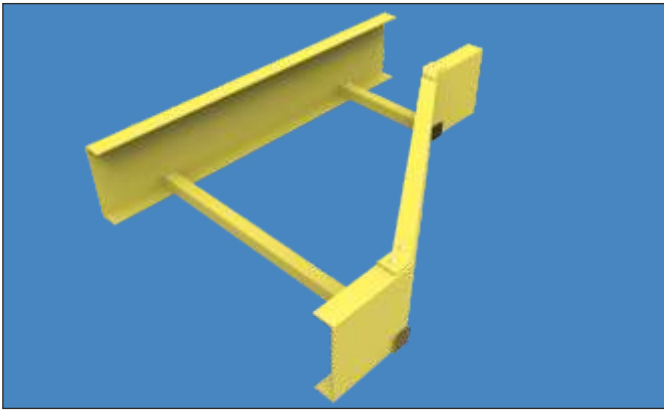
HORIZONTAL TEE



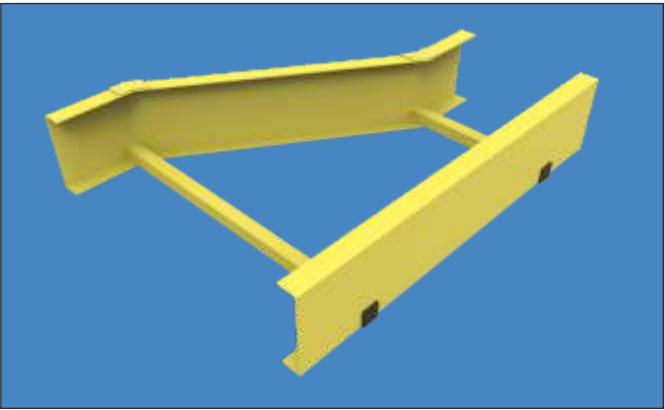
HORIZONTAL UNEQUAL TEE



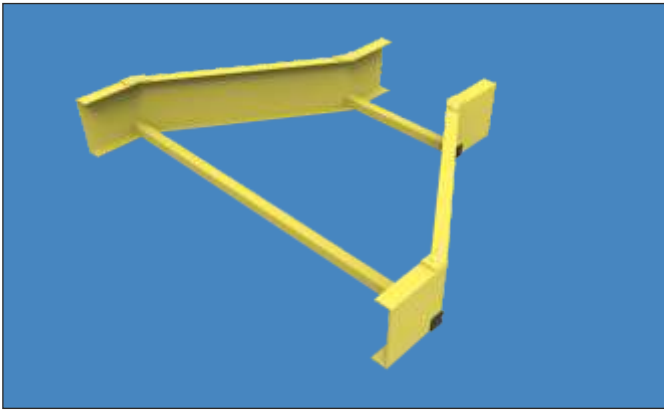
HORIZONTAL CROSS



HORIZONTAL REDUCER RIGHT

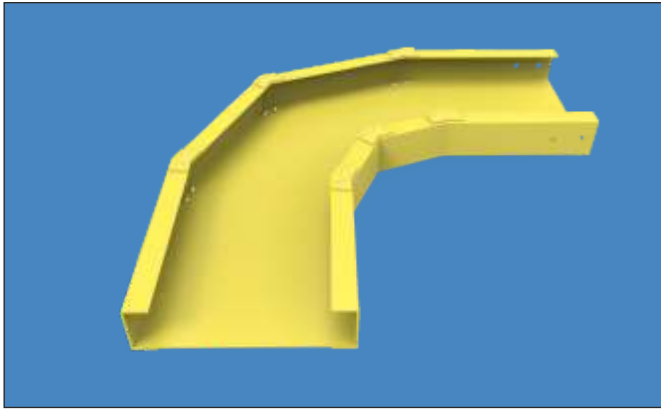


HORIZONTAL REDUCER LEFT

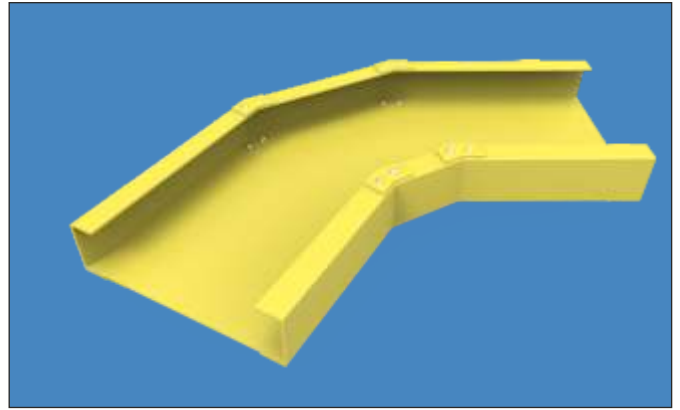


HORIZONTAL REDUCER CENTER

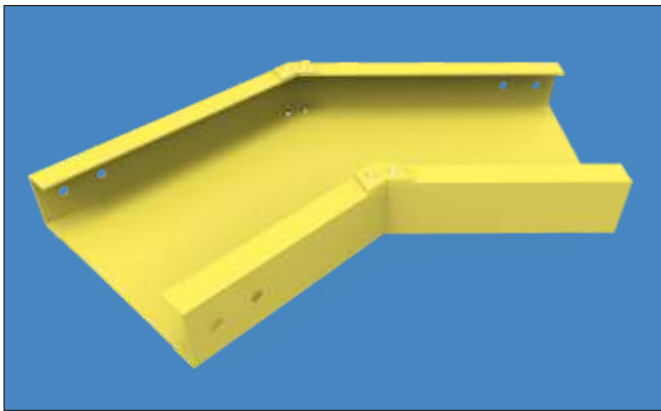
Fibreglass Cable Tray Assembly System



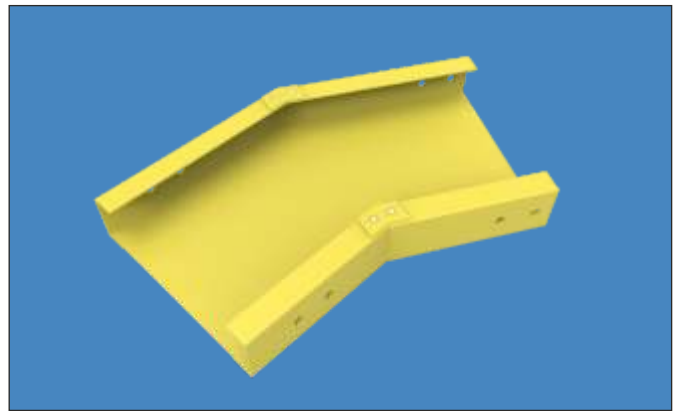
HORIZONTAL BEND 90°



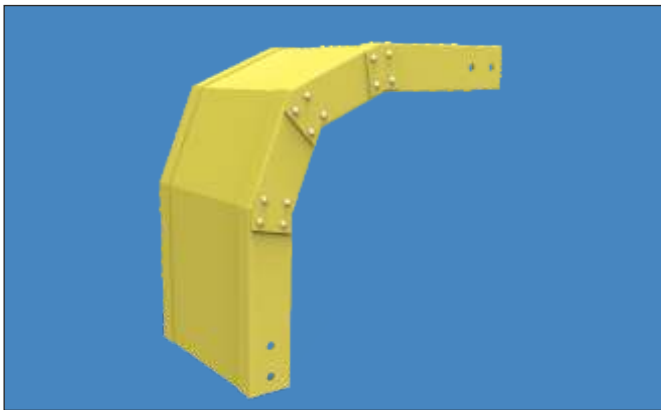
HORIZONTAL BEND 60°



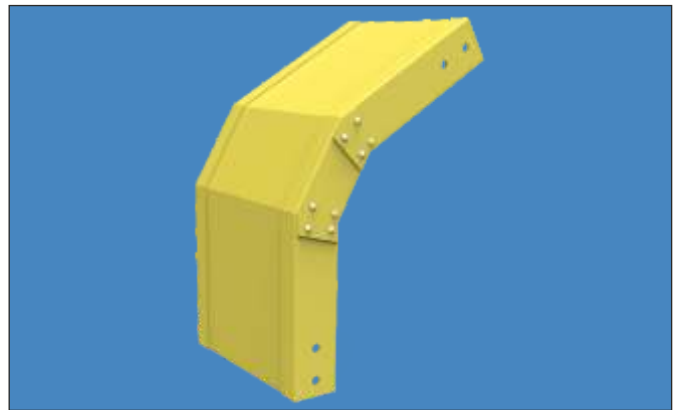
HORIZONTAL BEND 45°



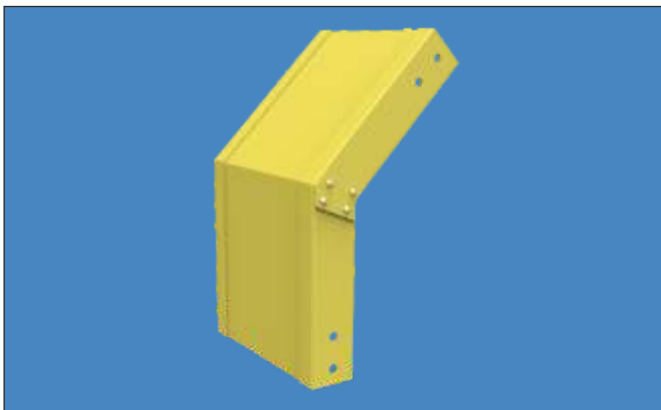
HORIZONTAL BEND 30°



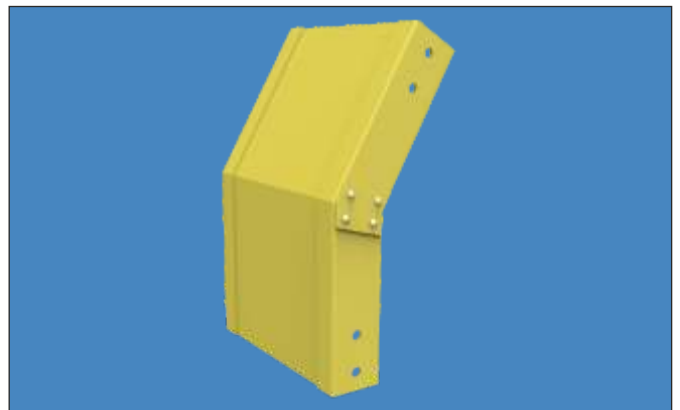
VERTICAL BEND 90°



VERTICAL BEND 60°

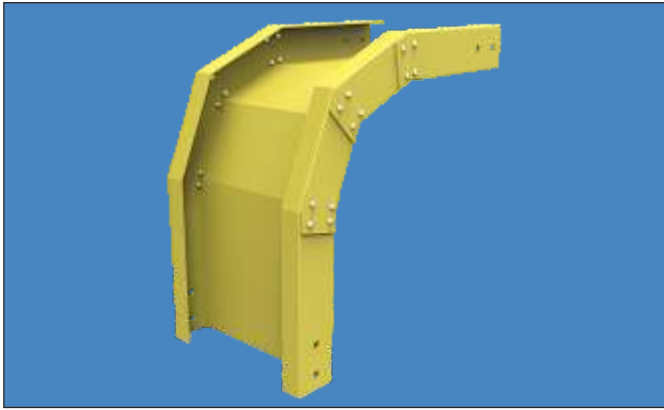


VERTICAL BEND 45°

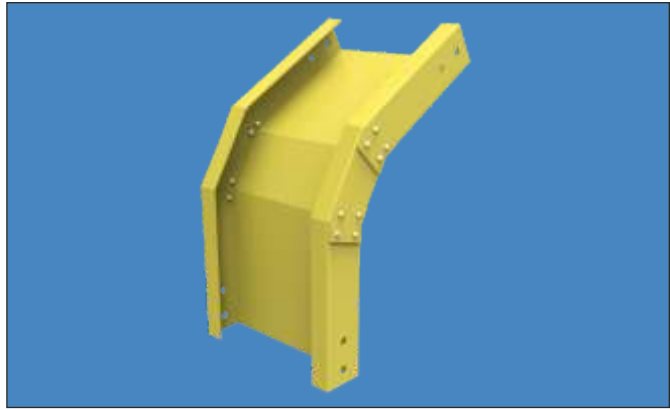


VERTICAL BEND 30°

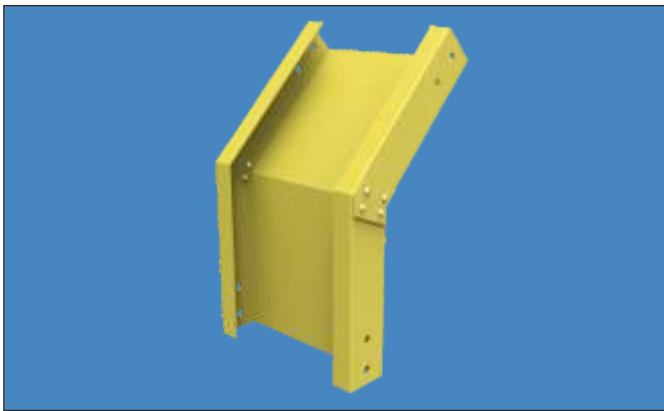
Fibreglass Cable Tray Assembly System



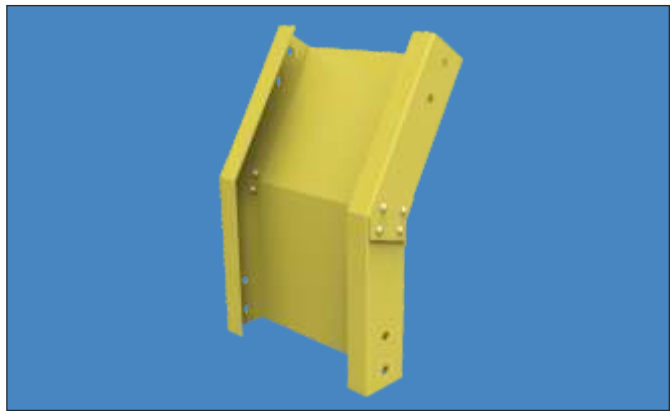
VERTICAL BEND OUTSIDE 90°



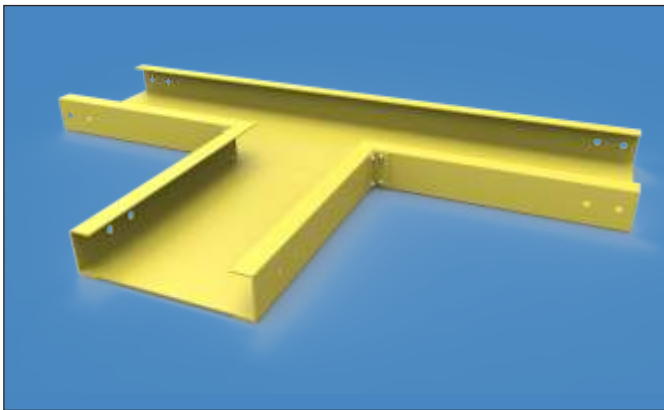
VERTICAL BEND OUTSIDE 60°



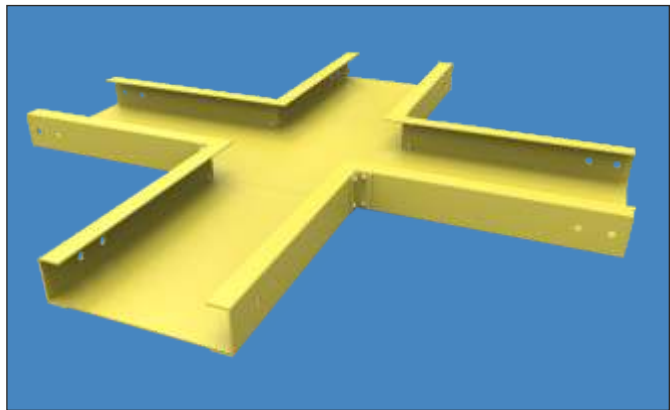
VERTICAL BEND OUTSIDE 45°



VERTICAL BEND OUTSIDE 30°



HORIZONTAL TEE



HORIZONTAL CROSS

Earthing Material



GI Wire



Flexible Conduit



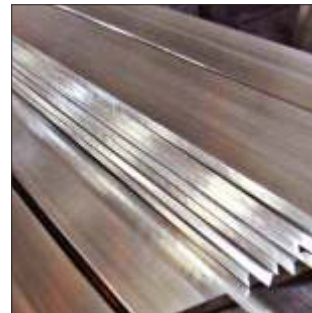
Rigid Conduit



Copper Conductor



Copper Earth
Electrode



Flat Bar



CU (Solid Rod)
Earth Electrode



Bonding Jumper



Terminal Lug



Terminal Lug

Standards

RAW MATERIALS

- IS 2062
- ASTM A36 / A36M
- BSEN 10025 S275 JR

GALVANIZING STANDARDS

- IS 2629
- ASTM A123
- AS 4680:2006
- BS EN ISO 1461

MANUFACTURING STANDARDS

- BS 4592
- NAAMM

WELDING STANDARDS

- AWS D1.1



Project Management

At **Western**, we give utmost importance to project management and understand that the same is vital to ensure the successful execution of the project.

We partner with our clients from the inception stage and understand the client's requirements in detail.

We work with the philosophy that their project is now our project. This holistic approach ensures understanding of how the product will be used and what they expect are from us.

If they have any queries, we will find the answers together. Based upon our vast experience, we often identify potential problems in advance and respond proactively.

We understand that each application requires a different approach and we understand client's priorities. Based upon client's needs, we can provide them with the optimal solution. We not only offer competitive prices but we also share our domain expertise in view of developing enduring business relationships.

Other Verticals

Fabricated Steel Structures



- Hot-Rolled sections
- Built-up sections

Bridges



- Plate girder bridges
- Open web bridges
- Under slung bridges

Gratings and Handrails



- Perforated trays (Embossed & Plain)
- Ladder trays
- Wire mesh trays
- Cable tray support system
- Earthing material
- Raceways and Trunkings

Bulk material handling system



- Turnkey projects
- Belt conveyors
- Bucket elevators
- Related equipment
- Accessories

