

WTN Lighting



LED HIGH BAY





Why your customers will choose it

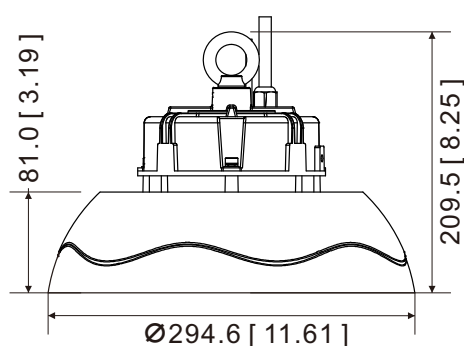


- Built-in 4KV surge protector.
- Reliable performance with a Sosen/MW electronic driver.
- Suitable for wet locations, IP66 rated.
- Provides L70 L90 of greater than 50,000 hours via a large heat sink.
- Fins design, advective holes and grooves in each fin, good for heat dissipation.
- The wide input voltage range AC100-277V & AC277-480V(1-10V light).
- The glass lens light transmittance is over 94%.

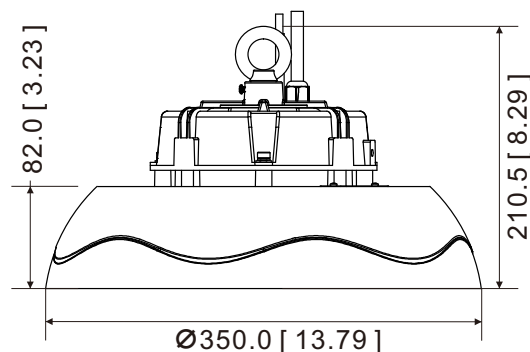
Parameters

Model	HB01-100W	HB01-150W	HB01-200W	HB01-240W
Power	100W	150W	200W	240W
Efficacy	150lm/W±10%			
Luminous Flux	15000lm±10%	22500lm±10%	30000lm±10%	36000lm±10%
Input voltage	100-277VAC / 200-480VAC			
LED Type	High efficacy LEDs			
Color Temperature	4000K / 4500K / 5000K / 5700K			
Color Rendering Index	Ra>70			
Power Factor	≥ 0.95			
Frequency	50 / 60 Hz			
IK Degree	IK08			
Certified	ETL cETL DLC			
Housing	Die-cast Aluminum			
LENS	Glass			
Operating Temperature	-4°F to 104°F (-20°C to + 40°C)			
Life Time	>50,000Hrs (Ta=30°C@L80)			
Dimmable	1-10V Dimmable			
Intelligent Control	Microwave Motion Sensor			
Warranty	5 Years			
Finish	White / Black / Gray			

Dimensional drawing



100W 150W



200W 240W

HB01 series Advantages

- ① LED driver comes with 1.5m input line and dimmable line
- ② Available in 100W, 150W, 200W, 240W in 100-277V configurations as well as 100W, 150W, 200W, 240W in 277-480V configurations

Die-cast aluminum housing available in gray, black, or white finish for greater choice and color coordination

Energy efficient LED 50,000 hour operating life (L70/L90) 5000K color temp, >70 CRI

Sensor Options Available
Optional fully adjustable sensor provides multi-level control based on motion

- ① 4mm thickness high transmittance (>94%) heat resistant IK08 glass
- ② H-frost/milk glass lens, Efficacy: 135LM/W
- ③ Clear glass lens, Efficacy: 150LM/W

SUS 304 "O" hook

Adjustable 2m length of SUS 304 wire rope

Durable powder coat finish



Black



White

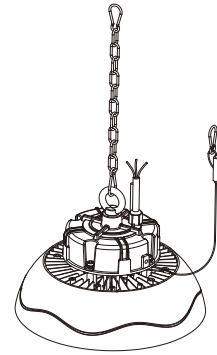


Gray

HB01 Mounting Options

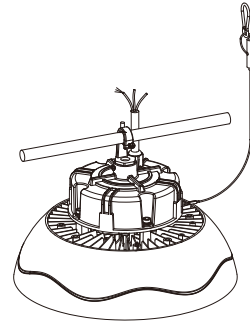
Ceiling with loop

1. Fix the luminaire with a chain to the ceiling
2. Use the buckles to fix the safety rope with the body and loop.
3. Connect the wires.



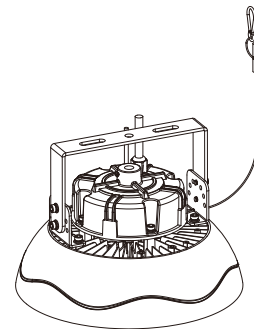
Ceiling with hook

1. Unscrew the hook, fix the luminaire to the installation holders and screw the hook tightly.
2. Use the buckles to fix the safety rope with the body and hook.
3. Connect the wires.



Wall Mounting

1. Trepan the installation holes as the size of the following figure.
2. Use M 10 screws to tighten the luminaire. The holder can be adjusted from 60D to 120D.
4. Connect the wires.
3. Use the buckles to fix the safety rope with the body and loop.



Pendant Mounting

1. Fix the luminaire with bar and tighten the pole with an anti-skid screw.
2. Use the buckles to fix the safety rope with the body and ceiling.
3. Connect the wires.

